

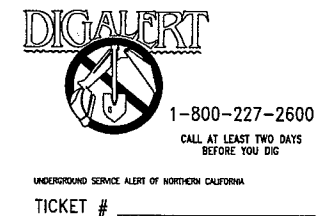
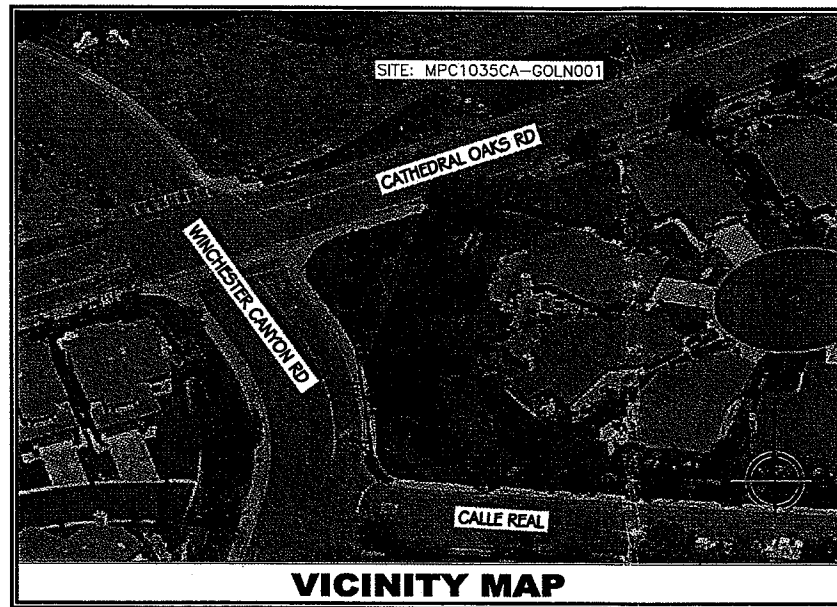


NextG Networks of California, Inc.

MPC1035CA-GOLN001

GOLETA

GOLETA, CA 93117



NextG Networks of California, Inc.
5720 THORNWOOD DRIVE
GOLETA, CA 93117
PHONE: (408) 954-1500

PROJECT INFORMATION:

MPC1035CA-GOLN001
GOLETA
GOLETA, CA 93117

CURRENT ISSUE DATE:

12/29/2009

PERMIT SUBMISSION:

REV.: DATE: DESCRIPTION: BY:

REV.	DATE	DESCRIPTION	BY

PLANS PREPARED BY:

HP COMMUNICATIONS INC.
5720 THORNWOOD DRIVE
GOLETA, CA 93117
PHONE: (951) 471-1919

PLANS APPROVED BY:

NextG Networks of California, Inc.
REP:

COMMENTS:

RECEIVED
APR 01 2010
City of Goleta
Planning & Environmental Svcs.

SHEET TITLE:

TITLE SHEET

SHEET NUMBER: REVISION:

1 **1 OF 5**

ALL WORK AND MATERIALS SHALL BE PERFORMED AND INSTALLED IN ACCORDANCE WITH THE CURRENT EDITIONS OF THE FOLLOWING CODES AS ADOPTED BY THE LOCAL GOVERNING AUTHORITIES. NOTHING IN THESE PLANS IS TO BE CONSTRUED TO PERMIT WORK NOT CONFORMING TO THE AREAS GOVERNING CODES.

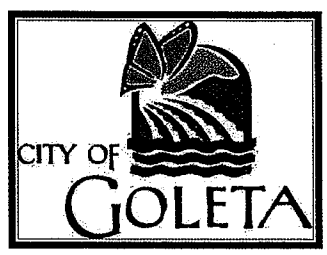
1. STATE ADMINISTRATIVE CODE	5. STATE PLUMBING CODE
2. STATE BUILDING CODE	6. STATE ELECTRIC CODE
3. ANSI/ISA-222-F LIFE SAFETY CODE NFPA-101-1990	7. LOCAL BUILDING CODE
4. STATE MECHANICAL CODE	8. CITY/COUNTY ORDINANCES

CODE COMPLIANCE

PROPERTY INFORMATION

CUSTOMER: NEXTG NETWORKS OF CALIFORNIA, INC.
PROJECT: GOLETA
NODE: MPC1035CA-GOLN001
LATITUDE: 34.43887
LONGITUDE: -119.90054
STREET ADDRESS: 7820 WINCHESTER CANYON RD
CITY, STATE: GOLETA, CA 93117
JURISDICTION: CITY OF GOLETA
POLE#: N/A
POLE TYPE: CONCRETE STREET LIGHT
RAD CENTER / ANTENNA HEIGHT: 26'-2"
ANTENNA TYPE: AWS360-1710-7-T0-N
AZIMUTH FOR ANTENNA: N/A
POWER TO POLE: SECONDARY
POLE ACCESS: ON ROAD
POLE OWNER: N/A
POLE LOCATION & DESCRIPTION: SETTING A NEW 25'-0" CONCRETE POLE ON WINCHESTER CANYON RD

PROJECT SUMMARY



THE PROJECT CONSISTS OF THE INSTALLATION AND OPERATION OF ANTENNAS AND ASSOCIATED EQUIPMENT CABINETS FOR NEXTG. THE INSTALLATION OF GROUND MOUNTED EQUIPMENT CABINETS, ANTENNAS ON AN EXISTING STREET LIGHT, WOOD POLE, TRAFFIC SIGNAL AND NEW STEEL POLES.

PROJECT DESCRIPTION

INSTALL / PLACE NEW FIBER TO NEW OR EXISTING POLE. INSTALL EITHER OMNI OR PANEL ANTENNAS AND ALL ASSOCIATED BRACKETS IN ACCORDANCE TO CONSTRUCTION SPECIFICATIONS. REARRANGE ANY EXISTING FACILITIES IN ACCORDANCE TO GOVERNING CONSTRUCTION GUIDELINES.

PROJECT SCOPE

SHEET	DESCRIPTION	REV.
1	TITLE SHEET	0
2	UTILITY NODE / REPEATER POLE EQUIPMENT PROFILES	0
3	MAPS	0
4	TYPICALS	0
5	TYPICALS	0

SHEET INDEX

DO NOT SCALE DRAWINGS

CONTRACTOR SHALL VERIFY ALL PLANS AND EXISTING DIMENSIONS AND CONDITIONS ON THE JOB SITE AND SHALL IMMEDIATELY NOTIFY THE ARCHITECT IN WRITING OF ANY DISCREPANCIES BEFORE PROCEEDING WITH THE WORK OR BE RESPONSIBLE FOR SAME.

GENERAL CONTRACTOR NOTES

MAKE READY

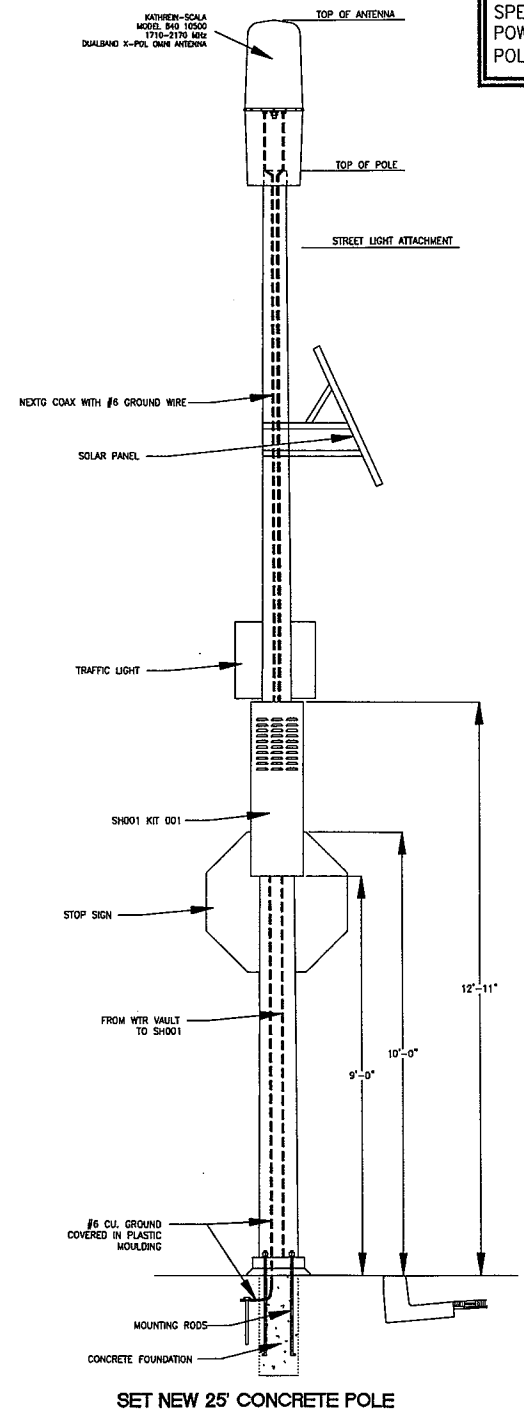
NEW CONSTRUCTION

SET A NEW 25' CONCRETE POLF

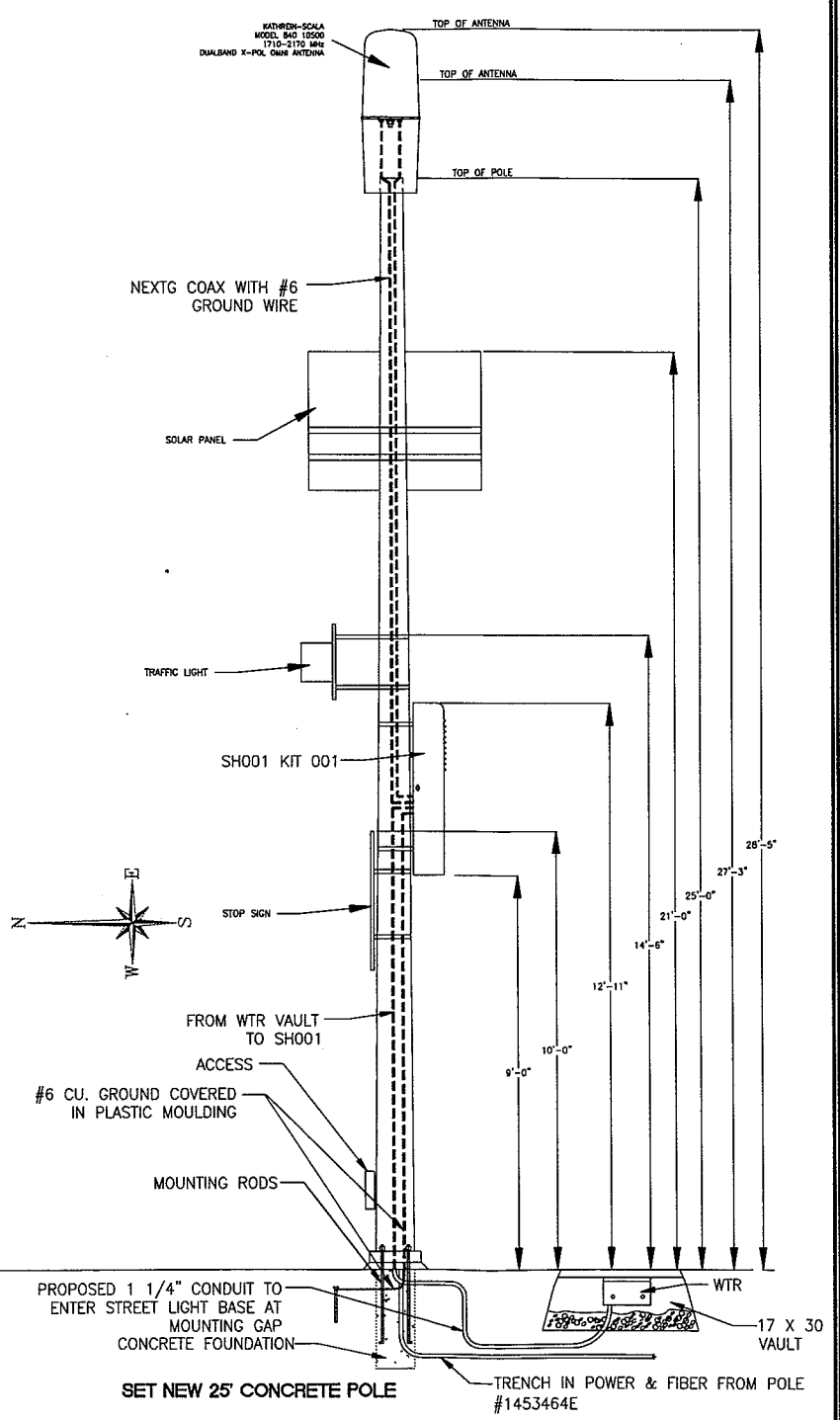
NOTES:

TOP OF ANTENNA: 27'-3"
 ANTENNA CENTER RAD: 26'-5"
 TOP OF POLE: 25'-0"
 SOLOR PANEL: 21'-0"
 TRAFFIC LIGHT: 14'-6"

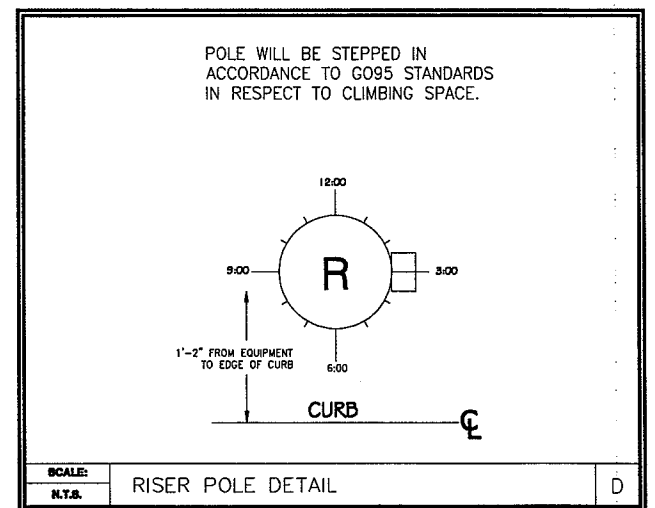
SPECIAL NOTES:
 POWER TRENCH AND FIBER TRENCH FROM
 POLE #1453464E



SCALE: N.T.S. CONCRETE STREET LIGHT DETAIL ID #N/A LOOKING NORTH A



SCALE: N.T.S. CONCRETE STREET LIGHT DETAIL ID #N/A LOOKING EAST B



1-800-227-2600
 CALL AT LEAST TWO DAYS BEFORE YOU DIG

UNDERGROUND SERVICE ALERT OF NORTHERN CALIFORNIA

TICKET # _____

NextG Networks of California, Inc.
 5720 THORNWOOD DRIVE
 GOLETA, CA 93117
 PHONE: (408) 954-1580

PROJECT INFORMATION:
MPC1038CA-GOLN001
GOLETA
GOLETA, CA 93117

CURRENT ISSUE DATE:
12/29/2009

PERMIT SUBMISSION:

REV.	DATE	DESCRIPTION	BY

PLANS PREPARED BY:
HP COMMUNICATIONS INC.
 5720 THORNWOOD DRIVE
 GOLETA, CA 93117
 PHONE: (951) 471-1919

PLANS APPROVED BY:
NextG Networks of California, Inc.
 REP: _____

COMMENTS:

SHEET TITLE:
PROFILES

SHEET NUMBER: **2** OF 5
 REVISION: _____

PROJECT INFORMATION:

MPC1035CA-GOLN001
GOLETA
GOLETA, CA 93117

CURRENT ISSUE DATE:

12/29/2009

PERMIT SUBMISSION:

REV. DATE DESCRIPTION BY:

REV.	DATE	DESCRIPTION	BY

PLANS PREPARED BY:

HP COMMUNICATIONS INC.
 5720 THORNWOOD DRIVE
 GOLETA, CA 93117
 PHONE: (951) 471-1919

PLANS APPROVED BY:

NextG Networks of California, Inc.
 REP:

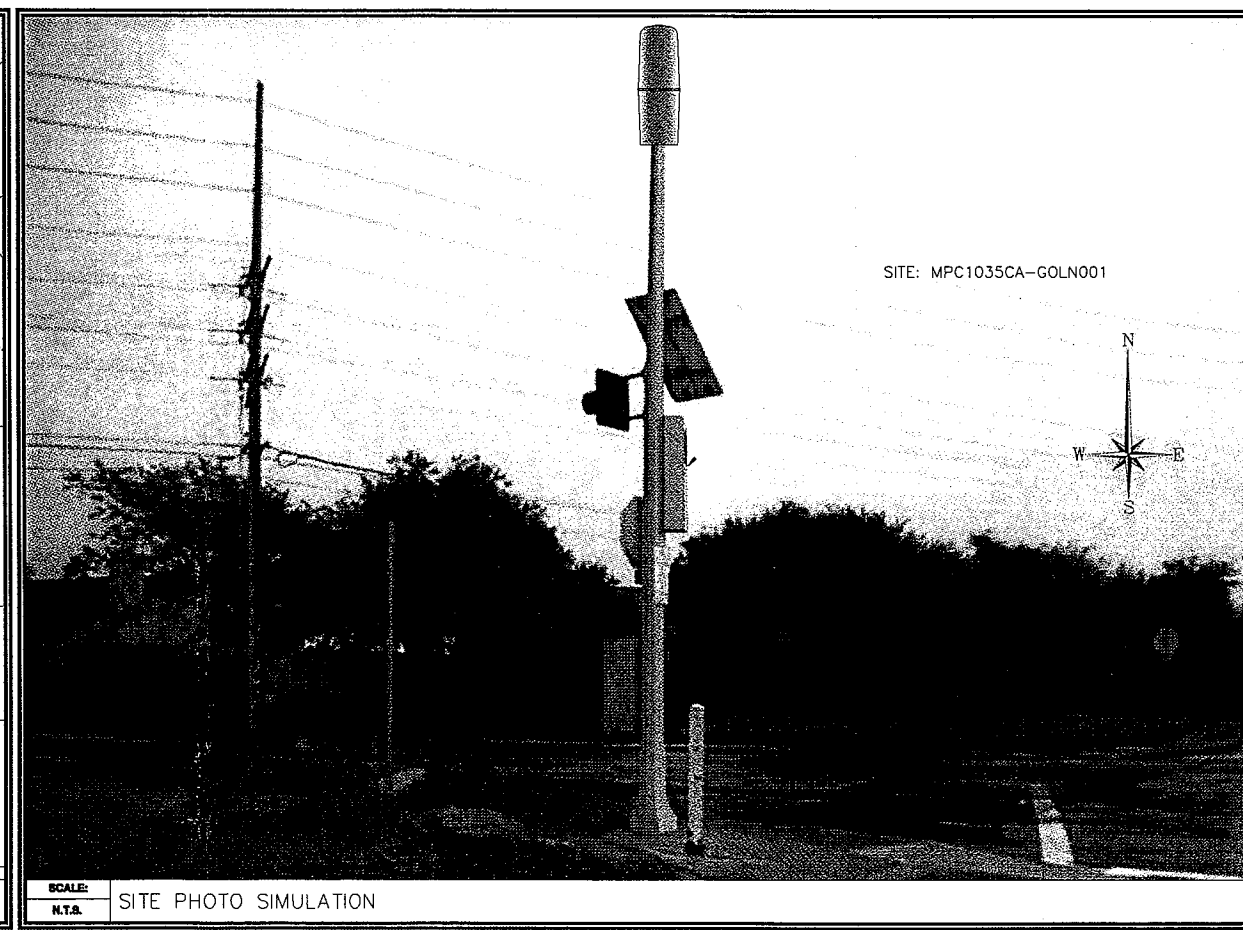
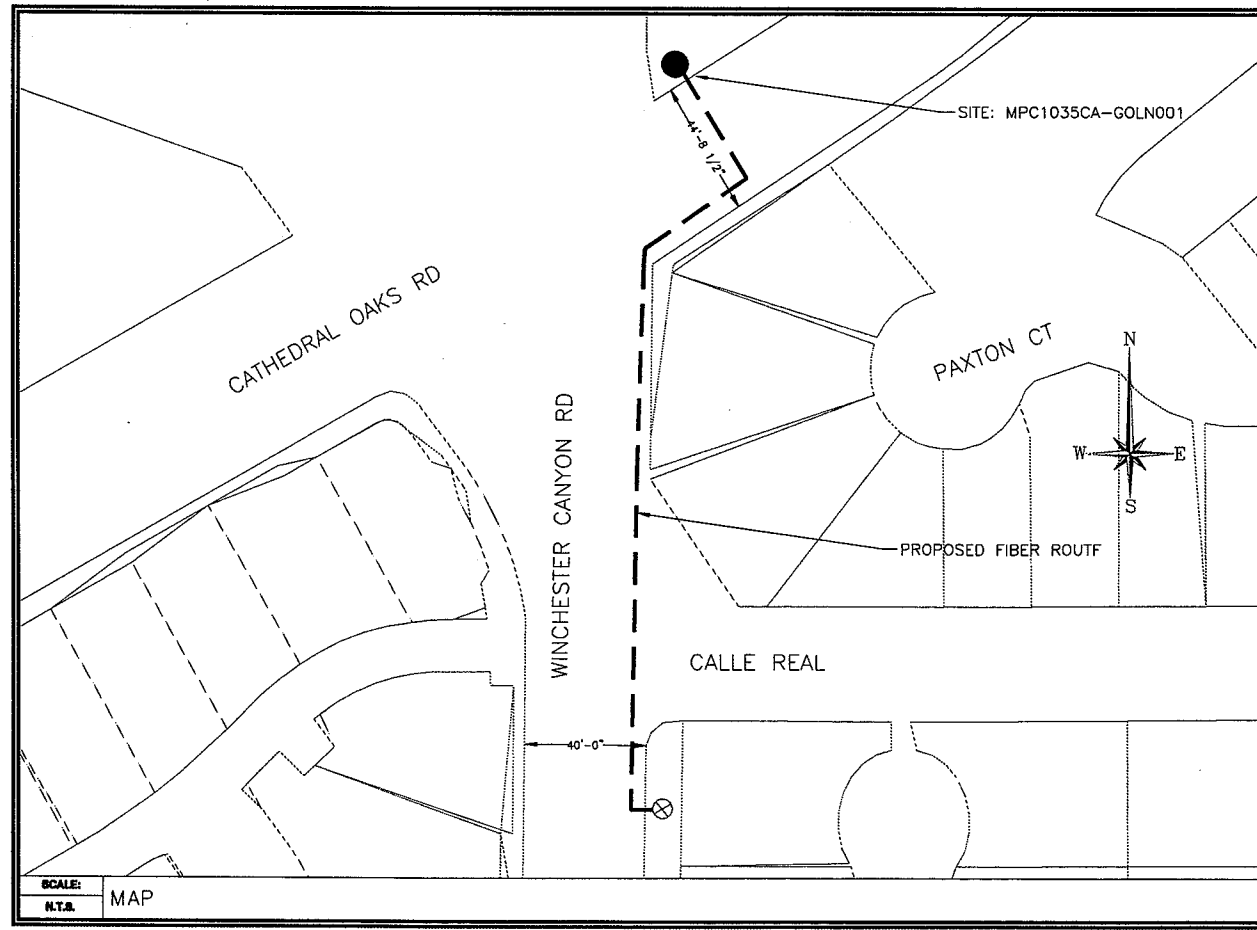
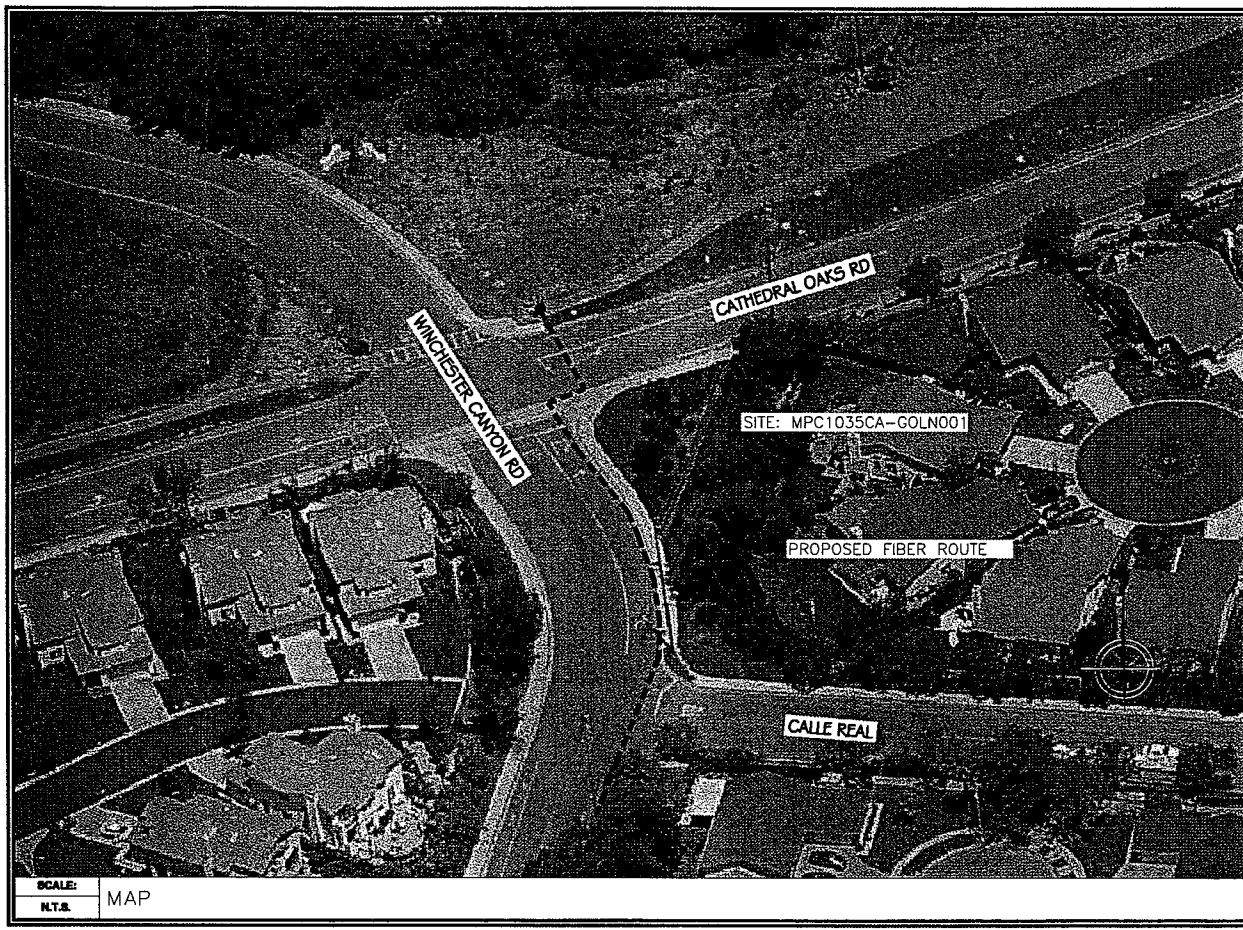
COMMENTS:

SHEET TITLE:

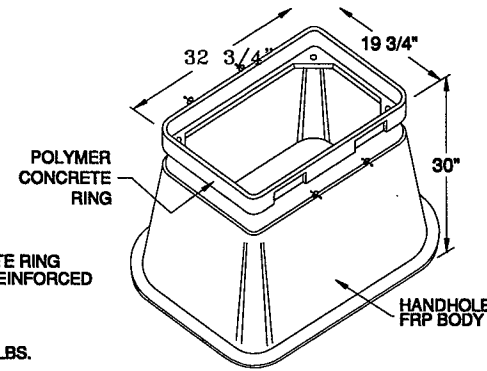
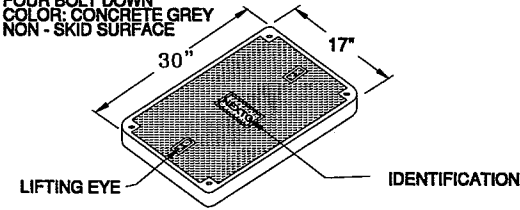
MAP

SHEET NUMBER: REVISION:

3 **3 OF 5**

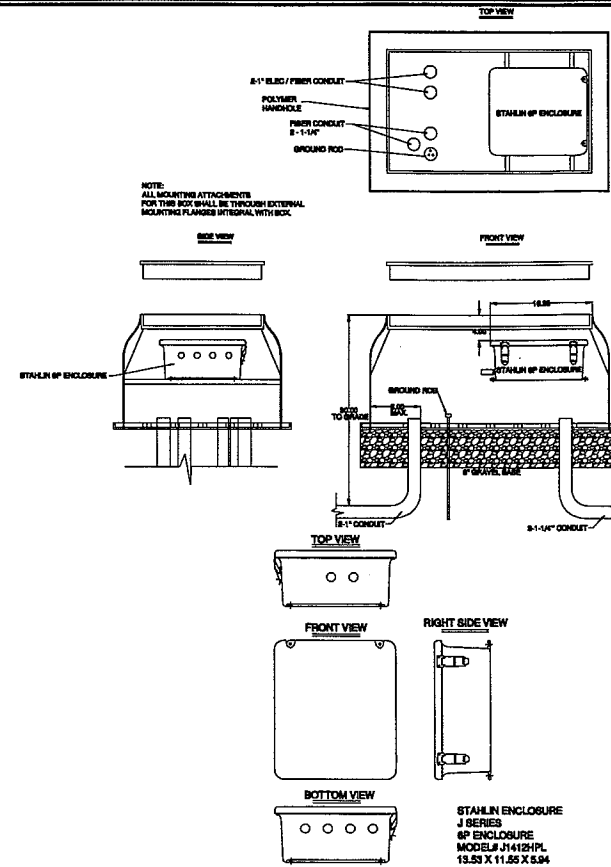


- COVER FEATURES:**
- PW - 10,400 LBS. WHEEL LOAD ON 10" X 10" PLATE
 - APPROX. WT. = 72 LBS.
 - POLYMER CONCRETE
 - ONE PIECE COVER
 - FOUR BOLT DOWN
 - COLOR: CONCRETE GREY
 - NON - SKID SURFACE

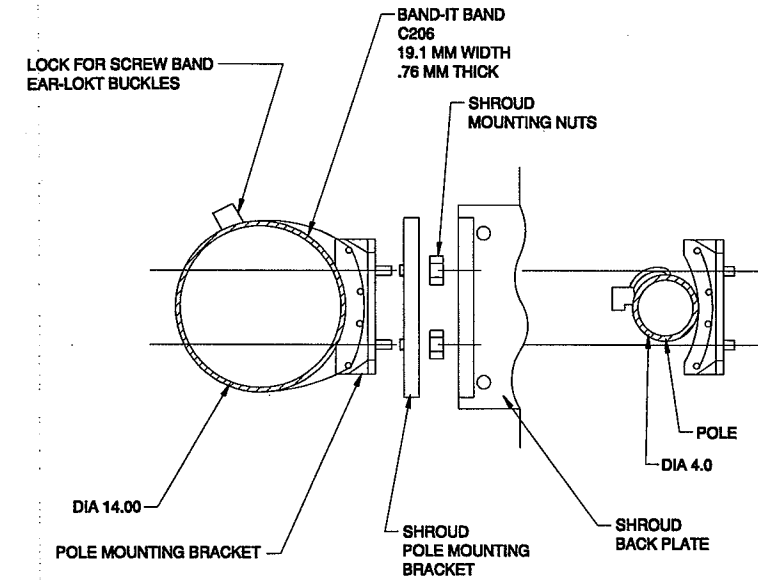


- VAULT FEATURES:**
- POLYMER CONCRETE RING AND FIBERGLASS REINFORCED POLYMER BODY
 - COLOR OF RING: CONCRETE GREY
 - APPROX. WT. = 123 LBS.

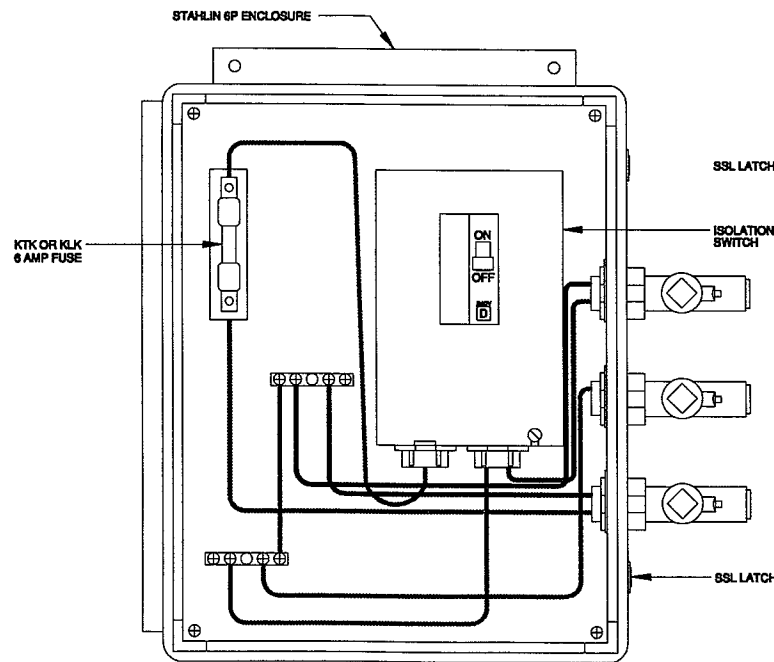
SCALE: N.T.S. 17" X 30" CONNECTOR HANDHOLE



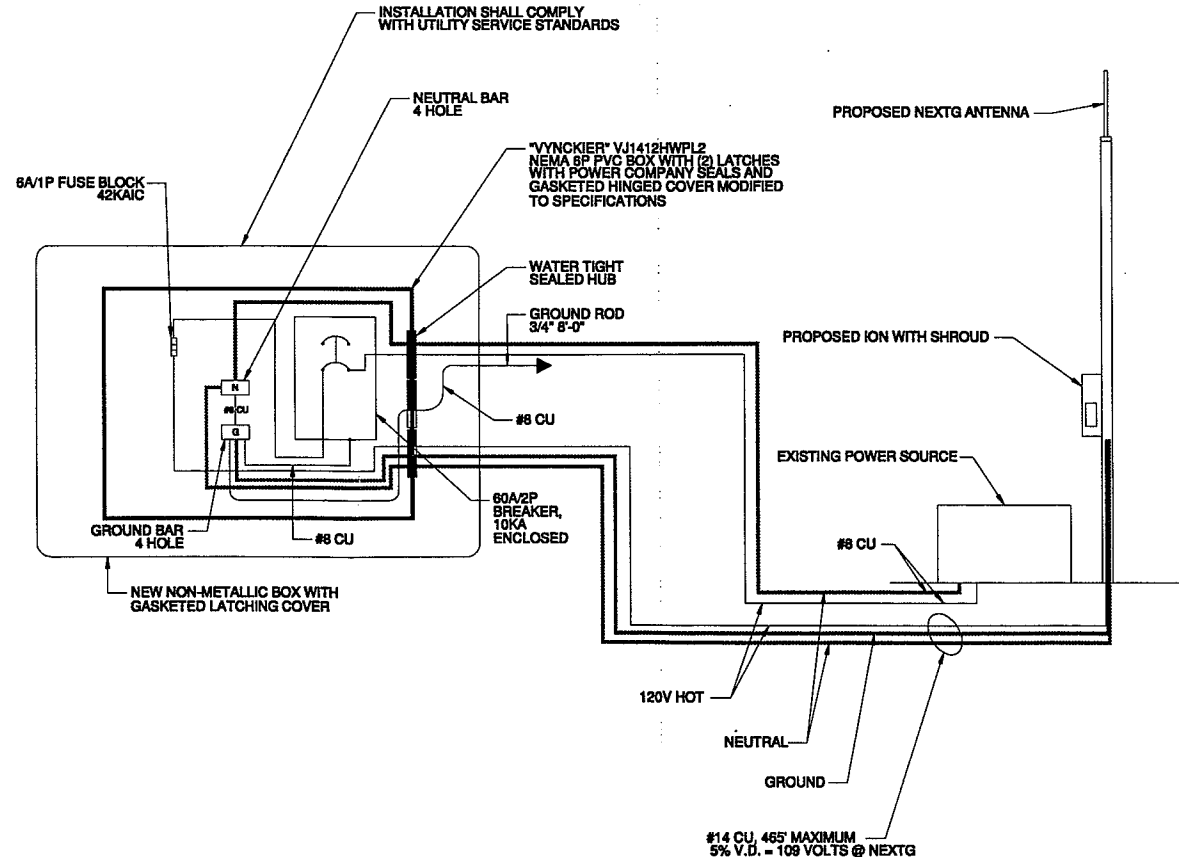
SCALE: N.T.S. STAHLIN 6P ENCLOSURE (WTR BOX)



SCALE: N.T.S. POLE MOUNTING



SCALE: N.T.S. WTR FUSE BOX



SCALE: N.T.S. POWER SINGLE LINE DIAGRAM

PROJECT INFORMATION:

MPC1035CA-GOLN001
GOLETA
GOLETA, CA 93117

CURRENT ISSUE DATE:

12/29/2009

PERMIT SUBMISSION:

REV. DATE: DESCRIPTION: BY:

REV.	DATE	DESCRIPTION	BY

PLANS PREPARED BY:

HP COMMUNICATIONS INC.

5720 THORNWOOD DRIVE
 GOLETA, CA 93117
 PHONE: (951) 471-1919

PLANS APPROVED BY:

NextG Networks of California, Inc.

REP:

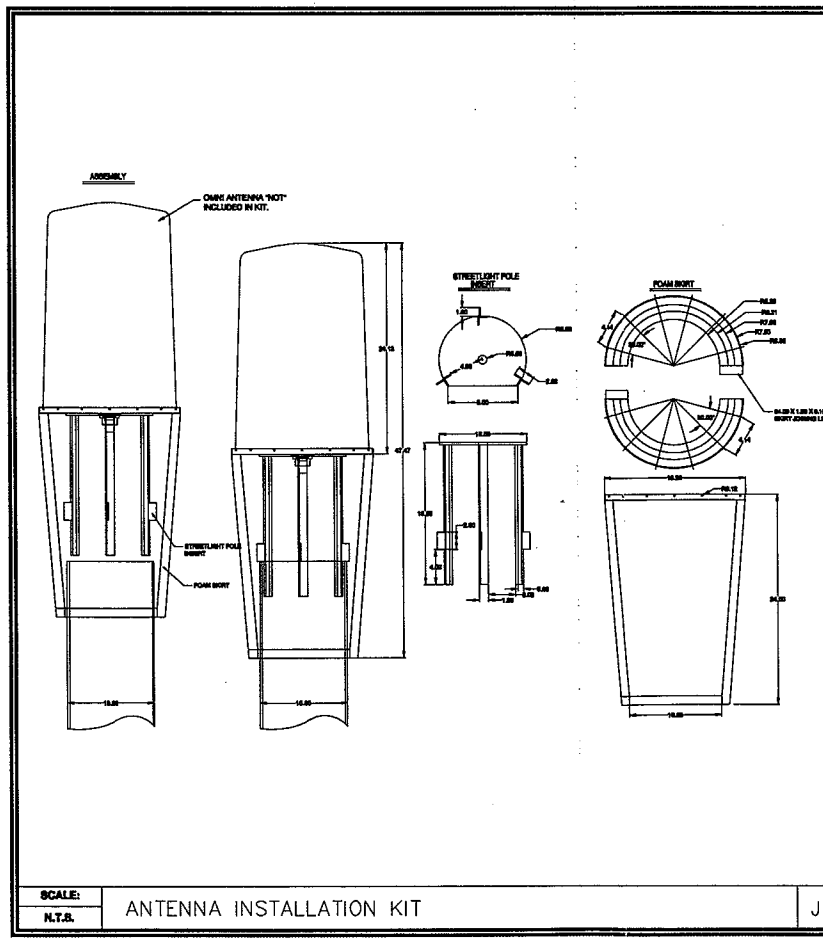
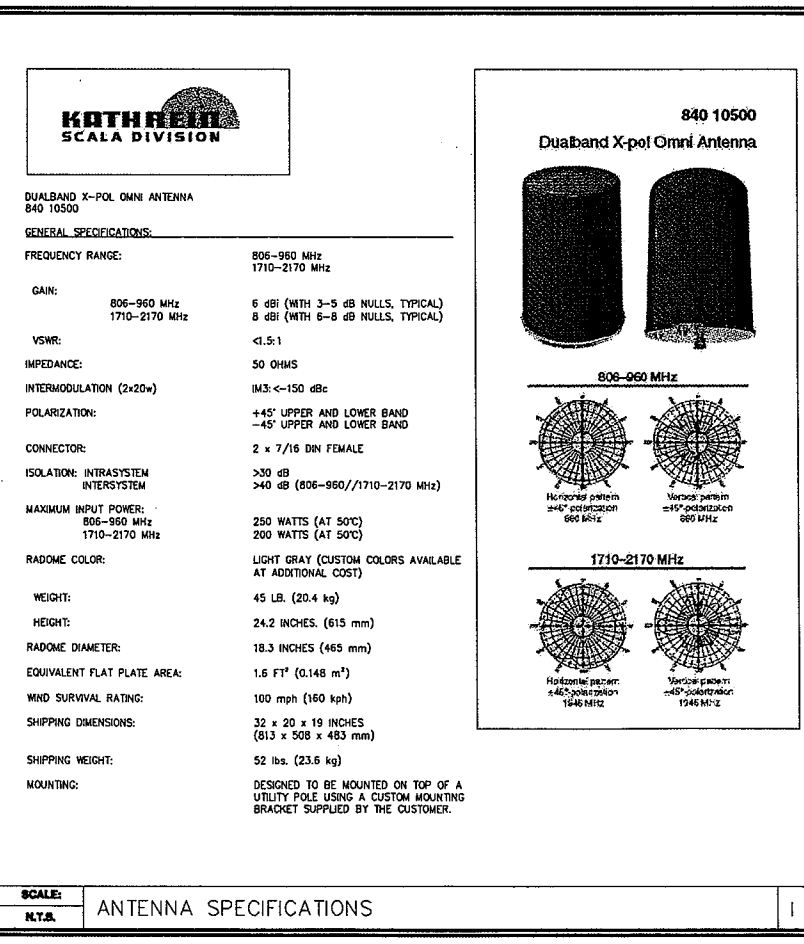
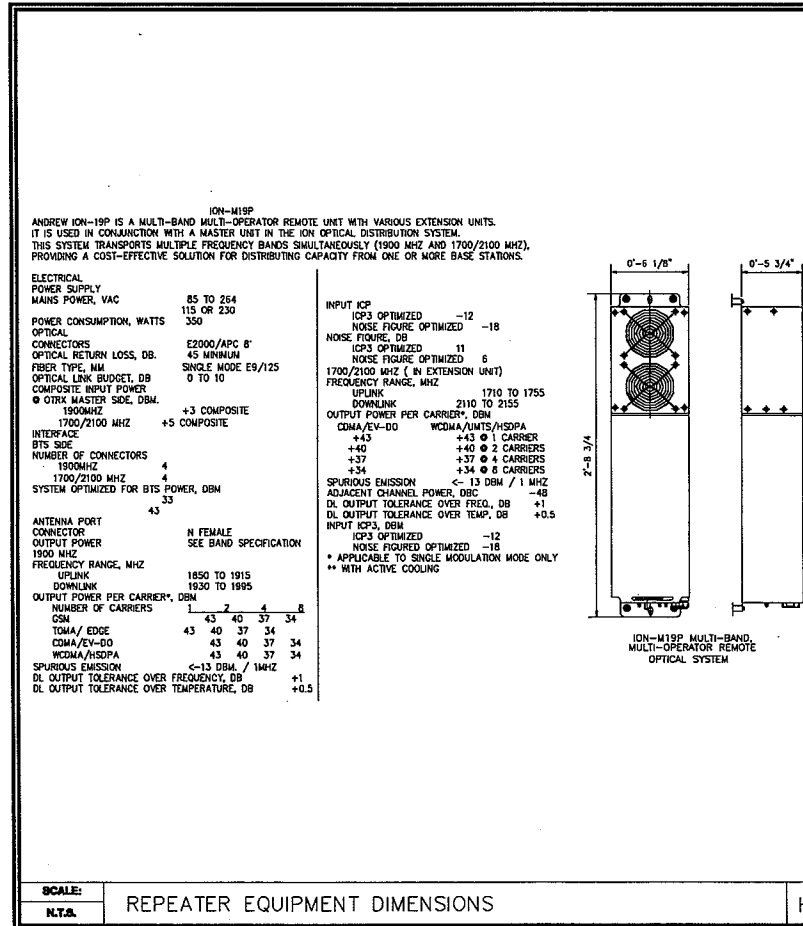
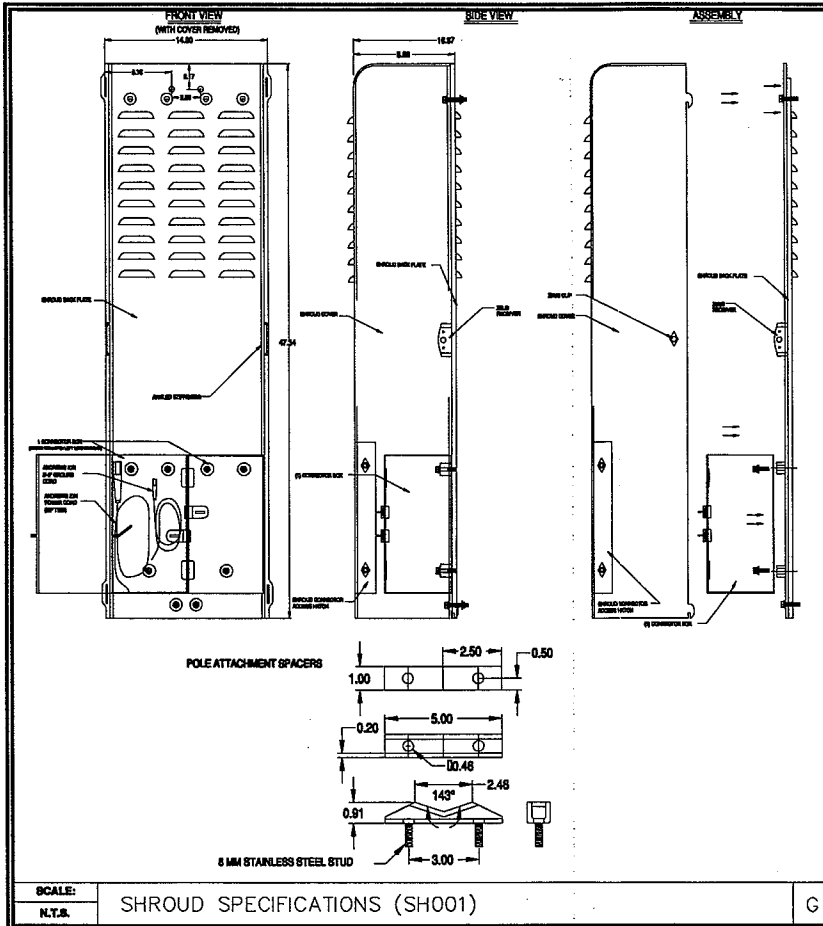
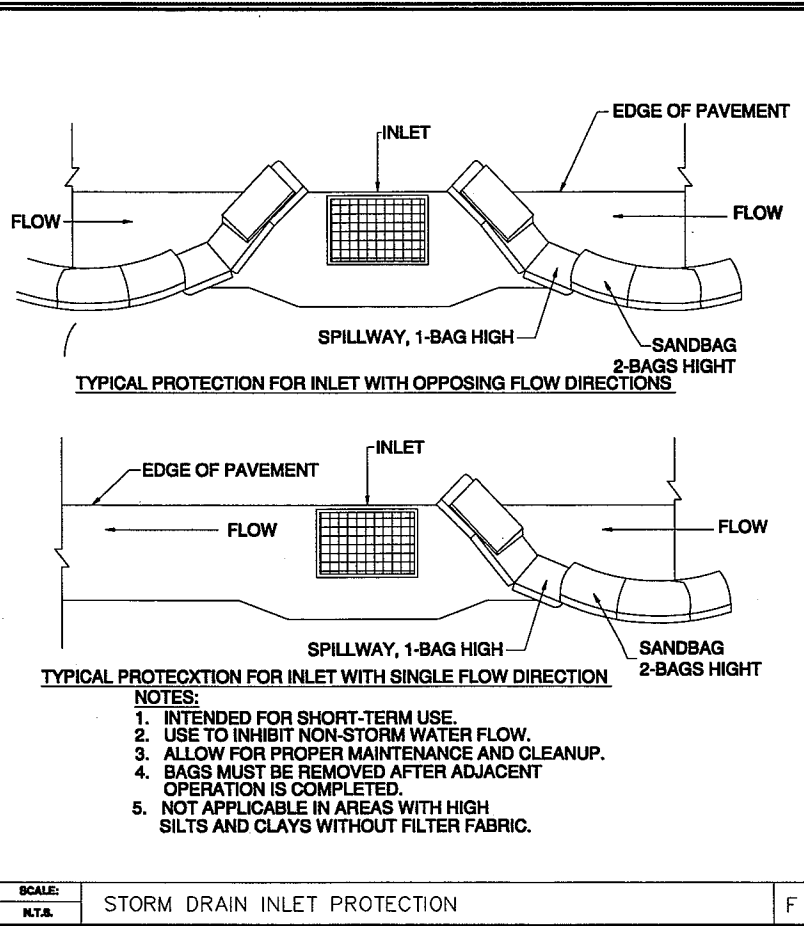
COMMENTS:

SHEET TITLE:

TYPICALS PAGE 1

SHEET NUMBER: REVISION:

4 **4 OF 5**



NextG Networks of California, Inc.
5720 THORNWOOD DRIVE
GOLETA, CA 93117
PHONE: (408) 954-1580

PROJECT INFORMATION:

MPC1038CA-GOLN001
GOLETA
GOLETA, CA 93117

CURRENT ISSUE DATE:

12/29/2009

PERMIT SUBMISSION:

REV. DATE: DESCRIPTION: BY:

PLANS PREPARED BY:

HP COMMUNICATIONS INC.

5720 THORNWOOD DRIVE
GOLETA, CA 93117
PHONE: (951) 471-1919

PLANS APPROVED BY:

NextG Networks of California, Inc.

REP:

COMMENTS:

SHEET TITLE:

TYPICALS PAGE 2

SHEET NUMBER: REVISION:

5 **5 OF 5**