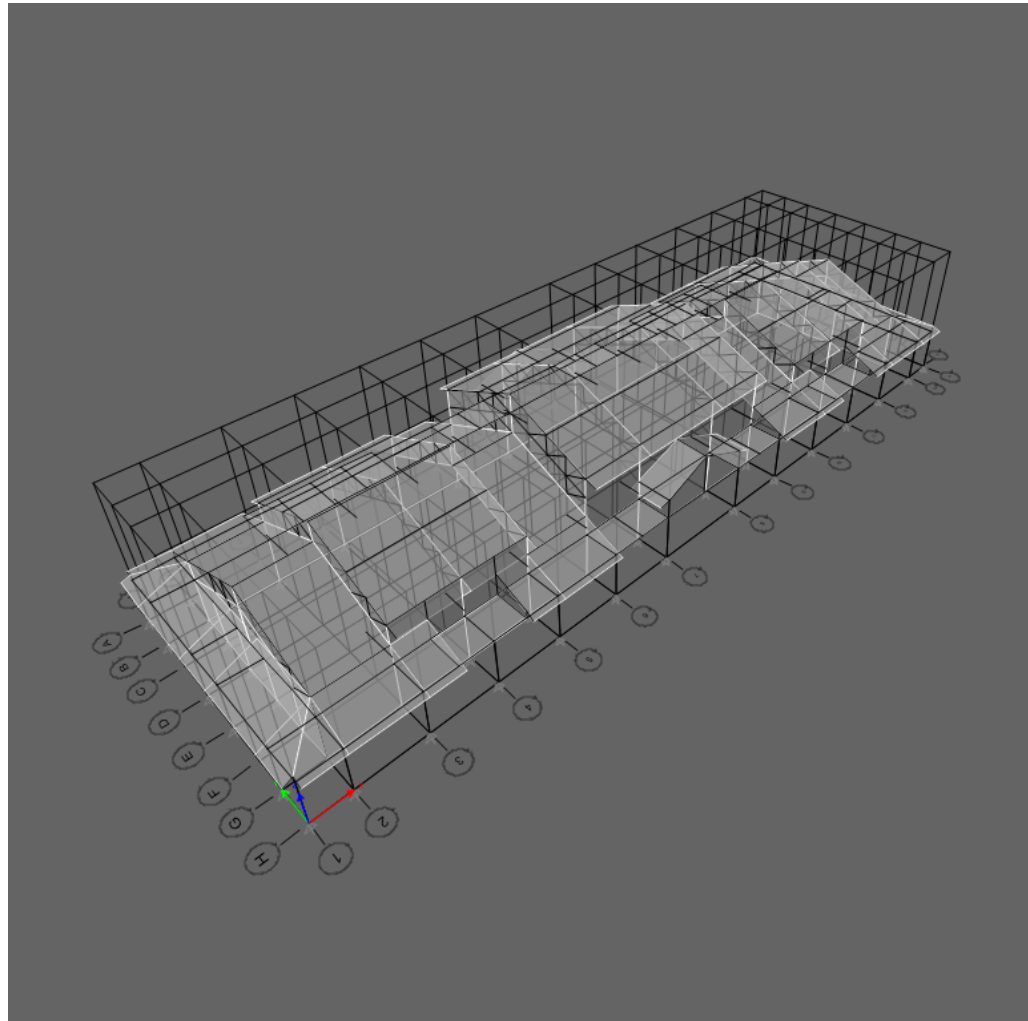


ETABS®

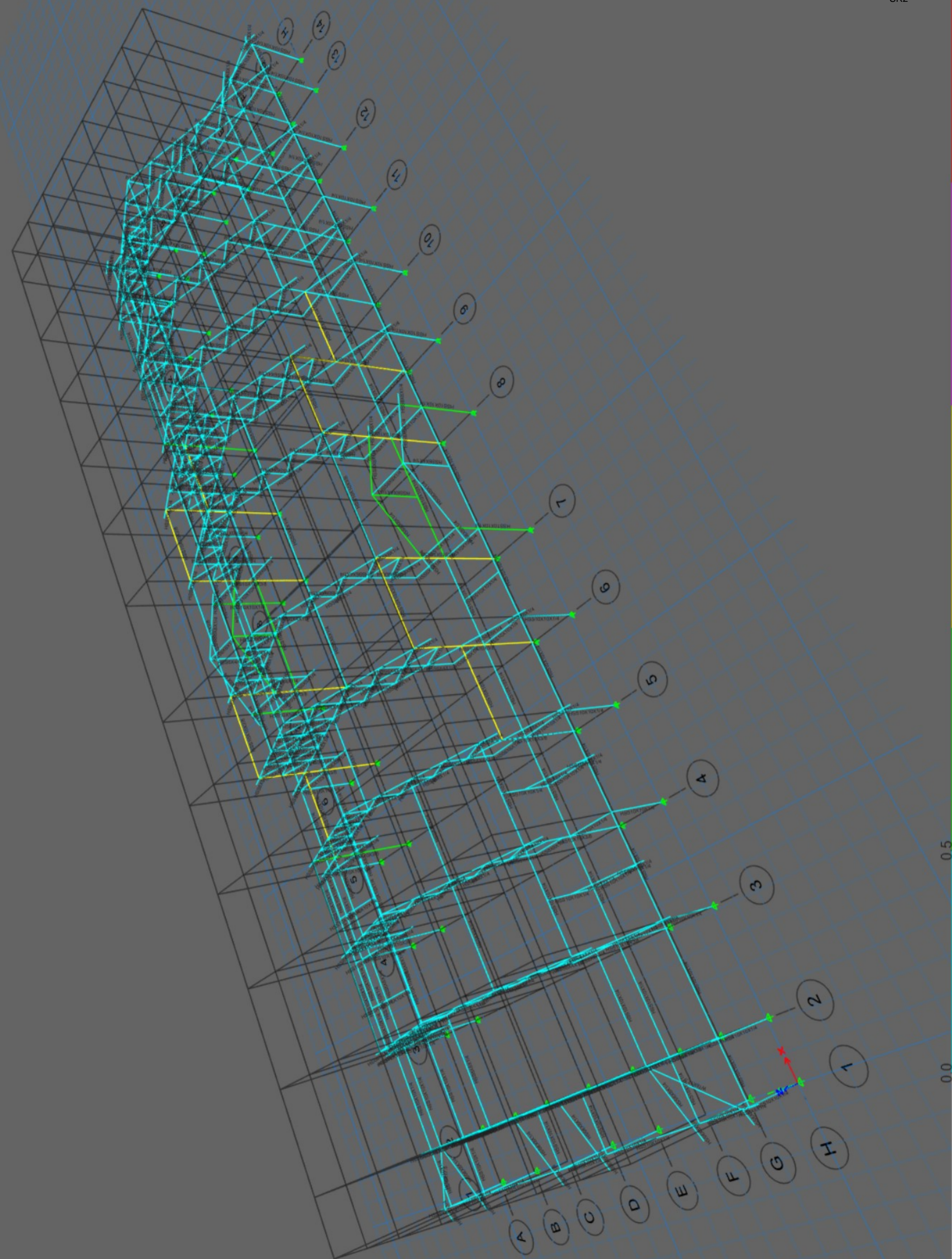


GTD Steel Frame Report R1

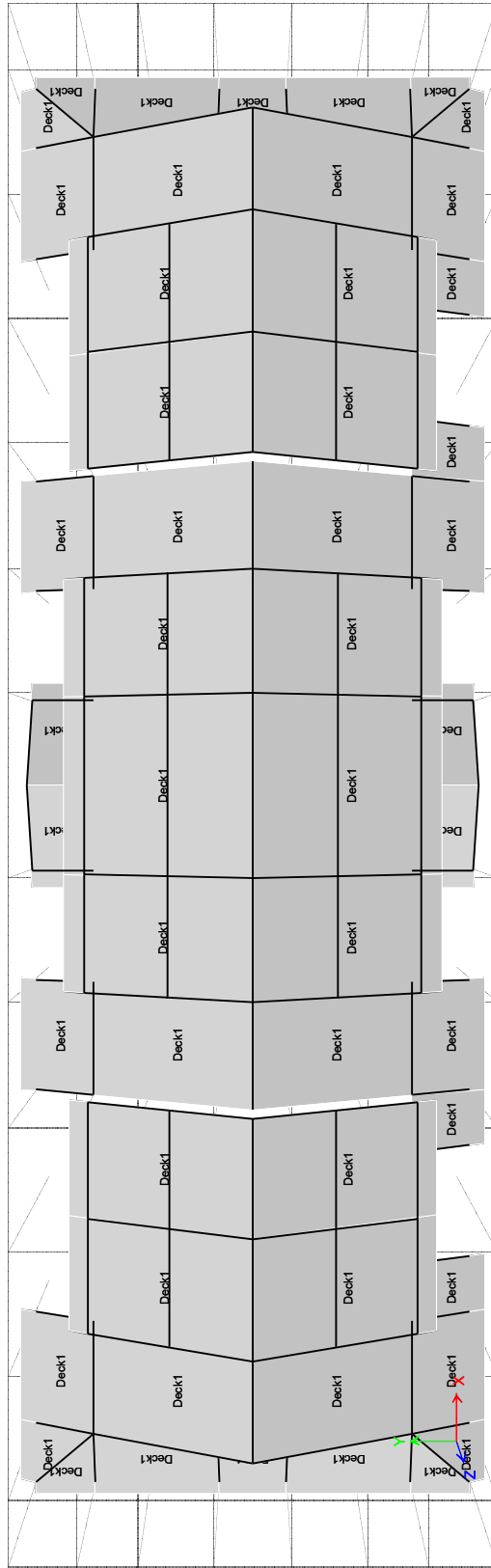
Goleta Train Depot

Model File: 19-005 Struct Model R1, Revision 0

5/22/2023

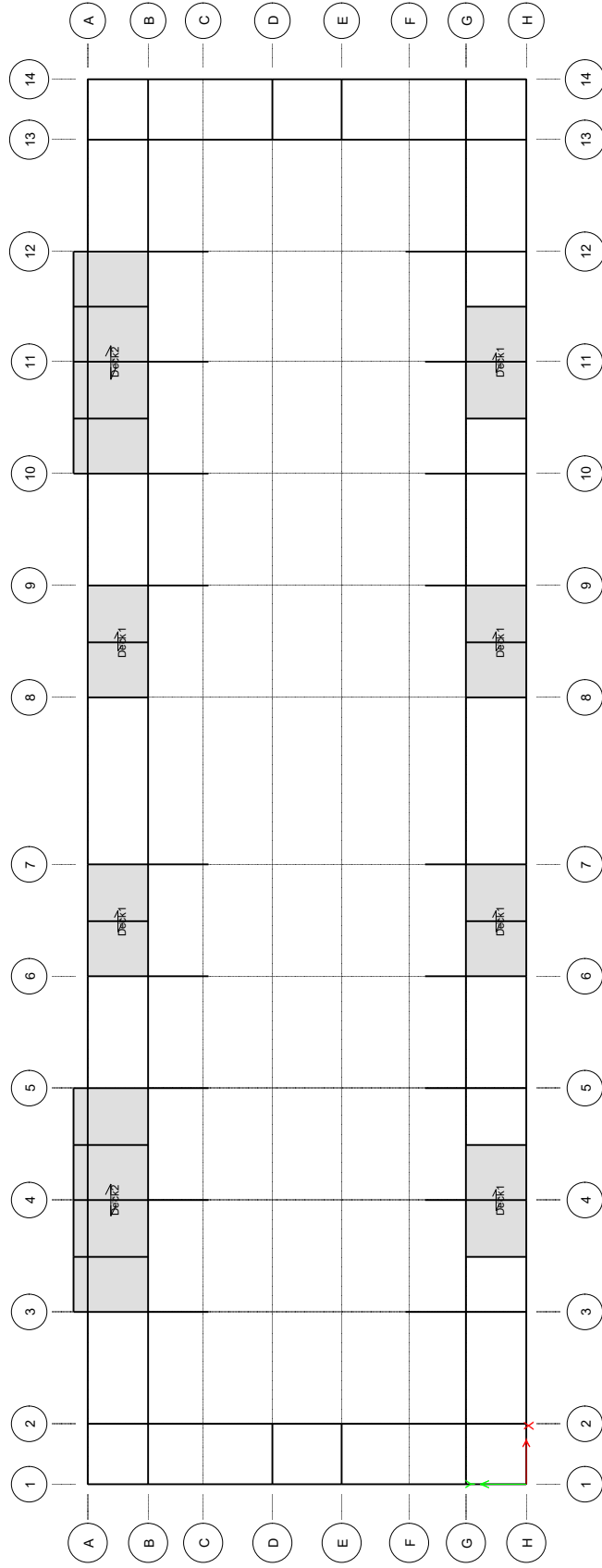


AREA SECTIONS



3-D View of Story1 Groups

AREA SECTIONS

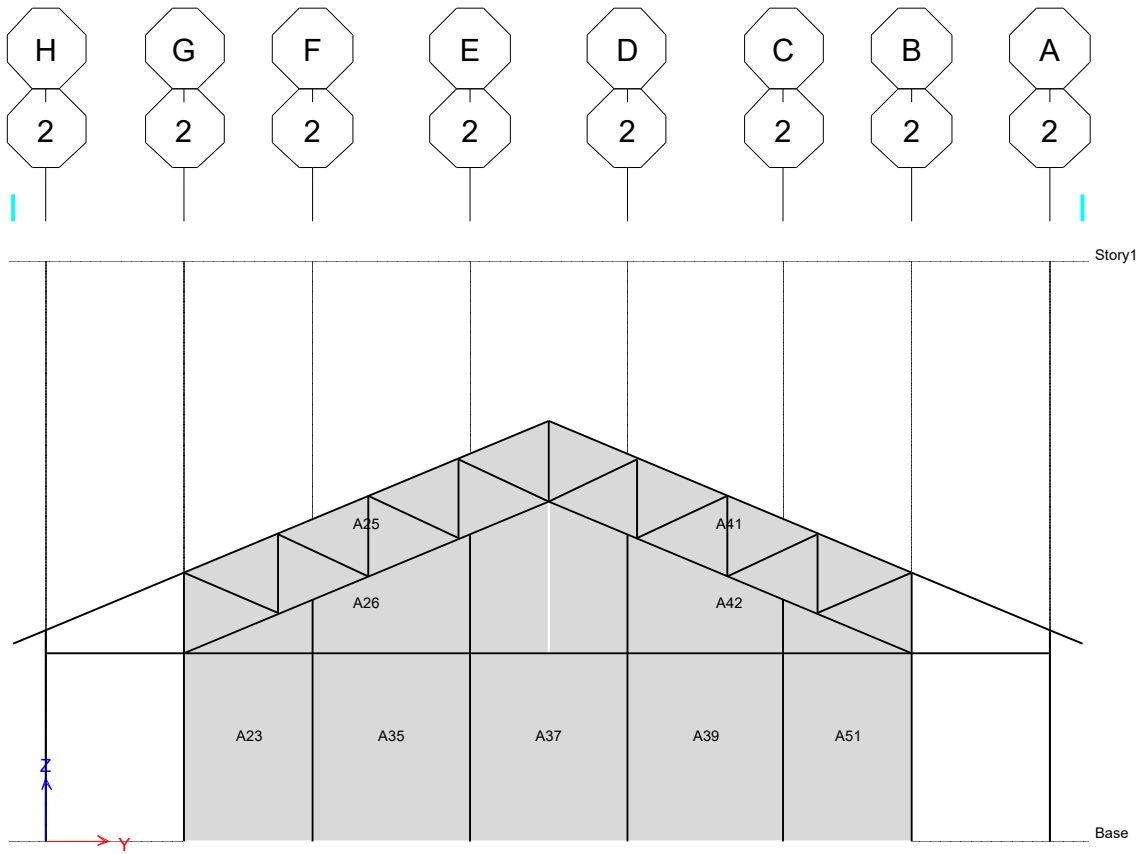


Plan View - Story1 - Z = 435 (in)

AREA LABELS

ETABS 18.1.1

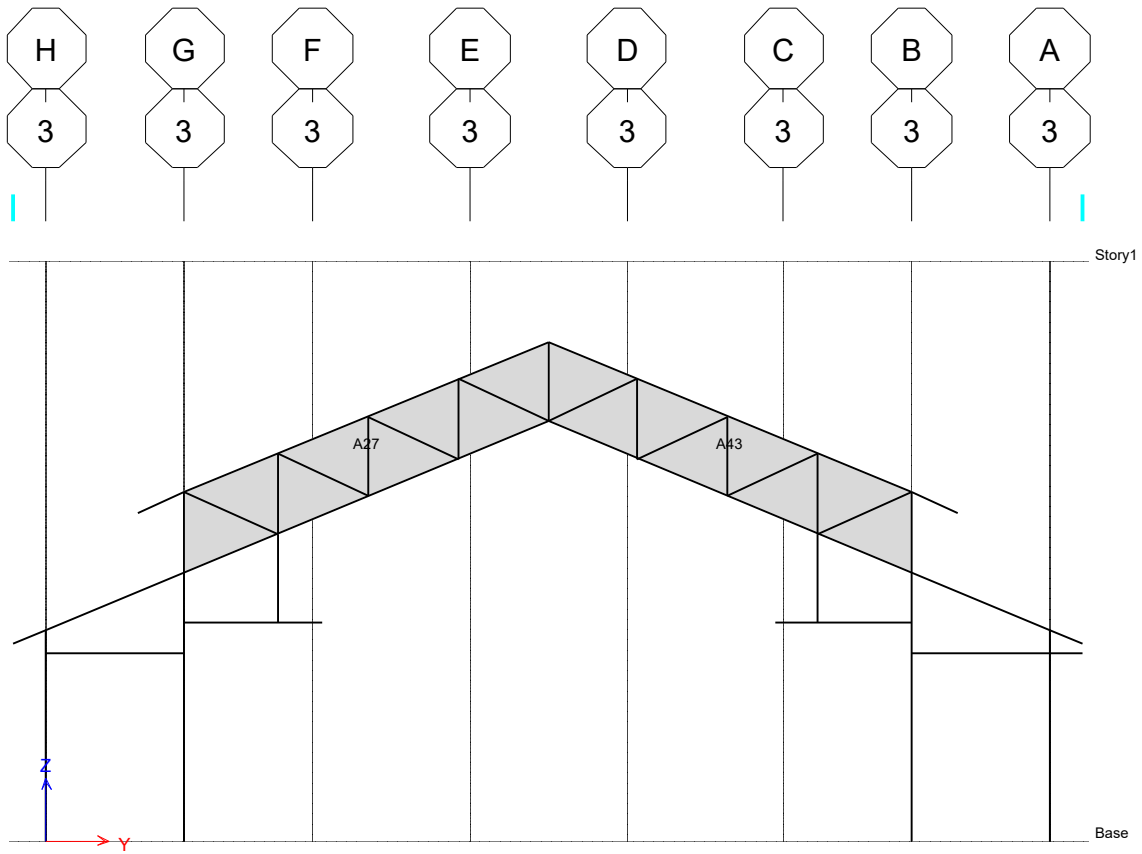
SR5
11/16/2021



AREA LABELS

ETABS 18.1.1

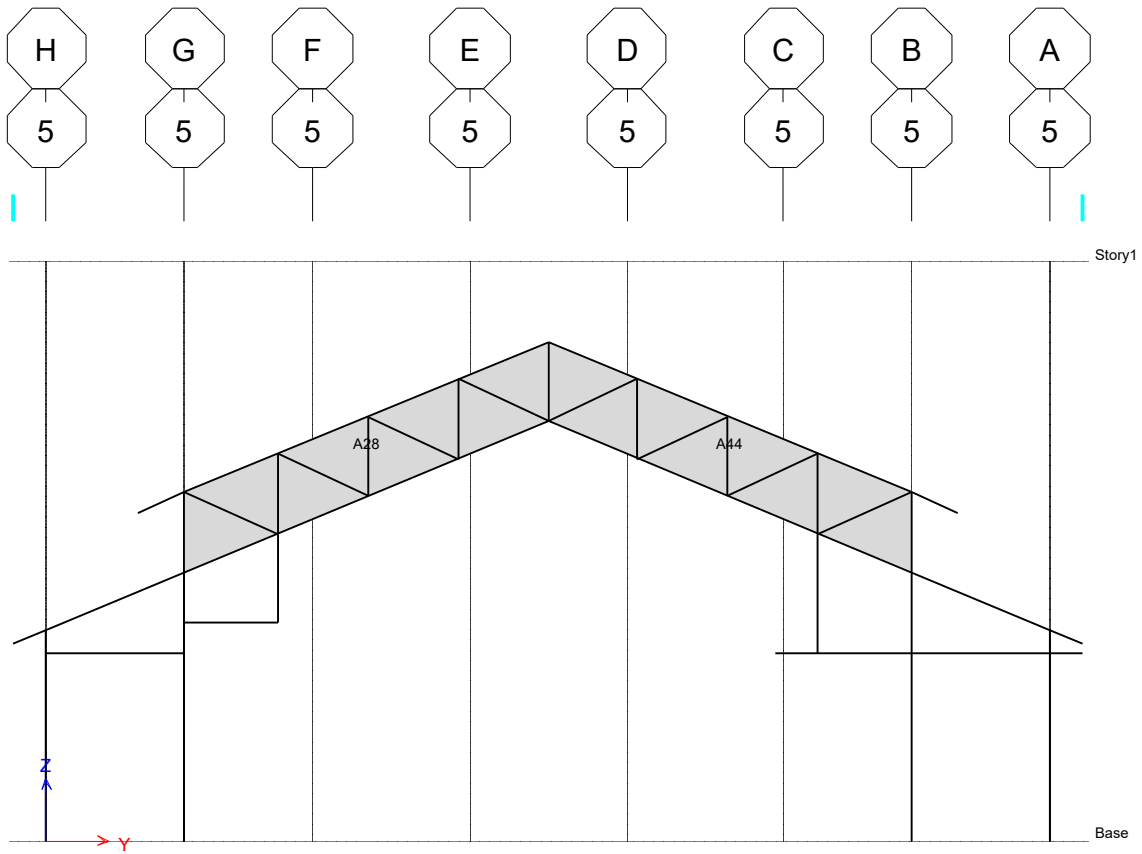
SR6
11/16/2021



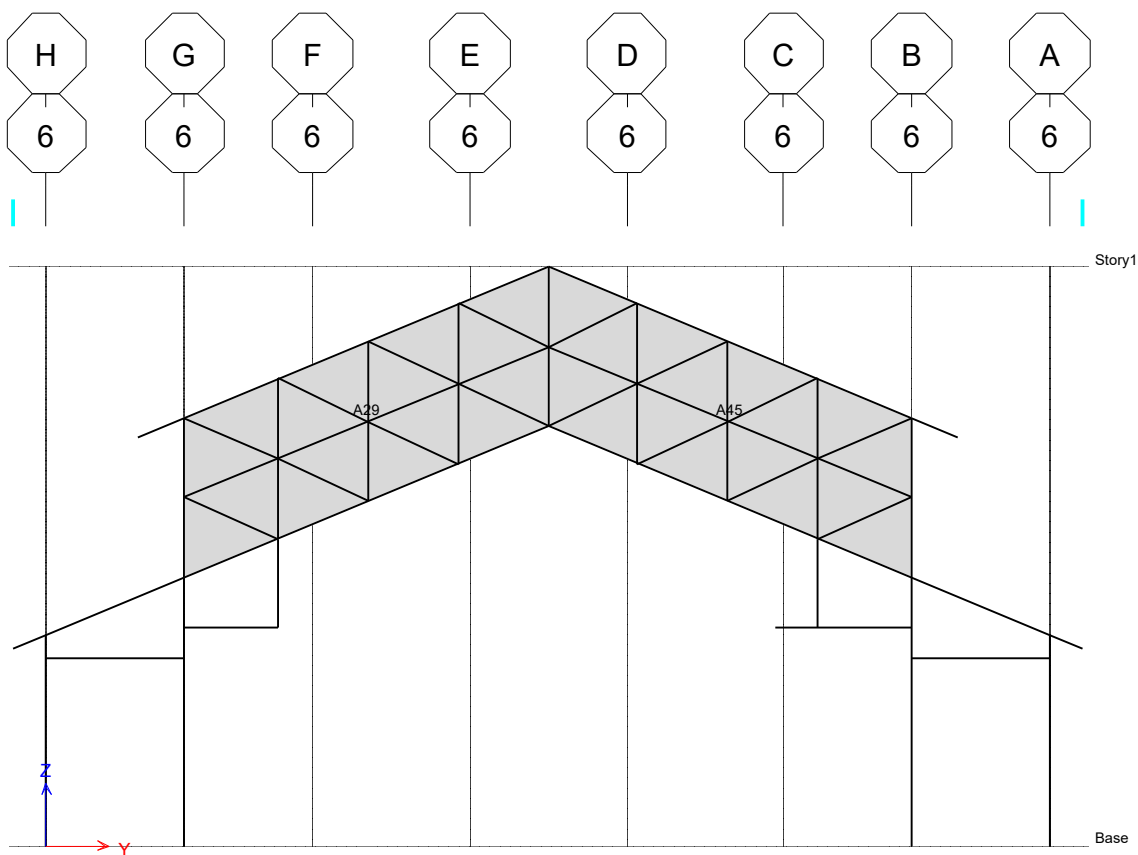
AREA LABELS

ETABS 18.1.1

SR7
11/16/2021



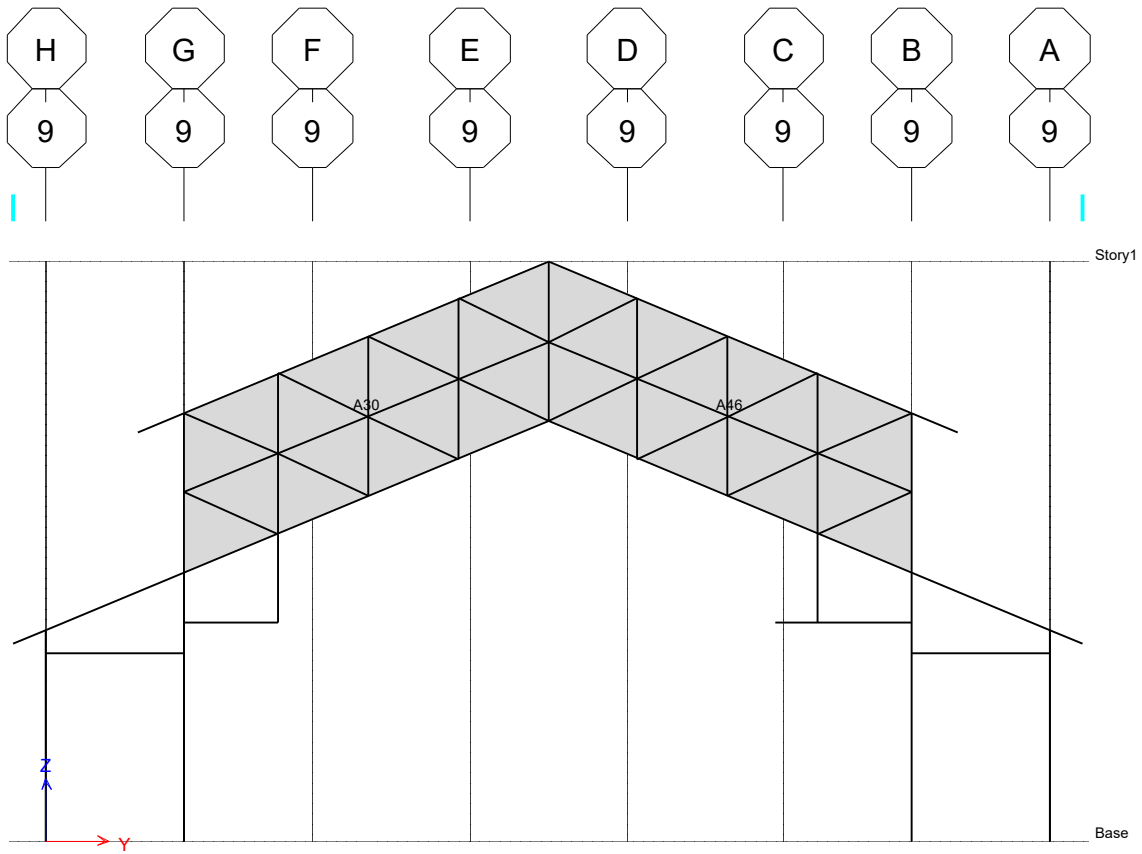
AREA LABELS



AREA LABELS

ETABS 18.1.1

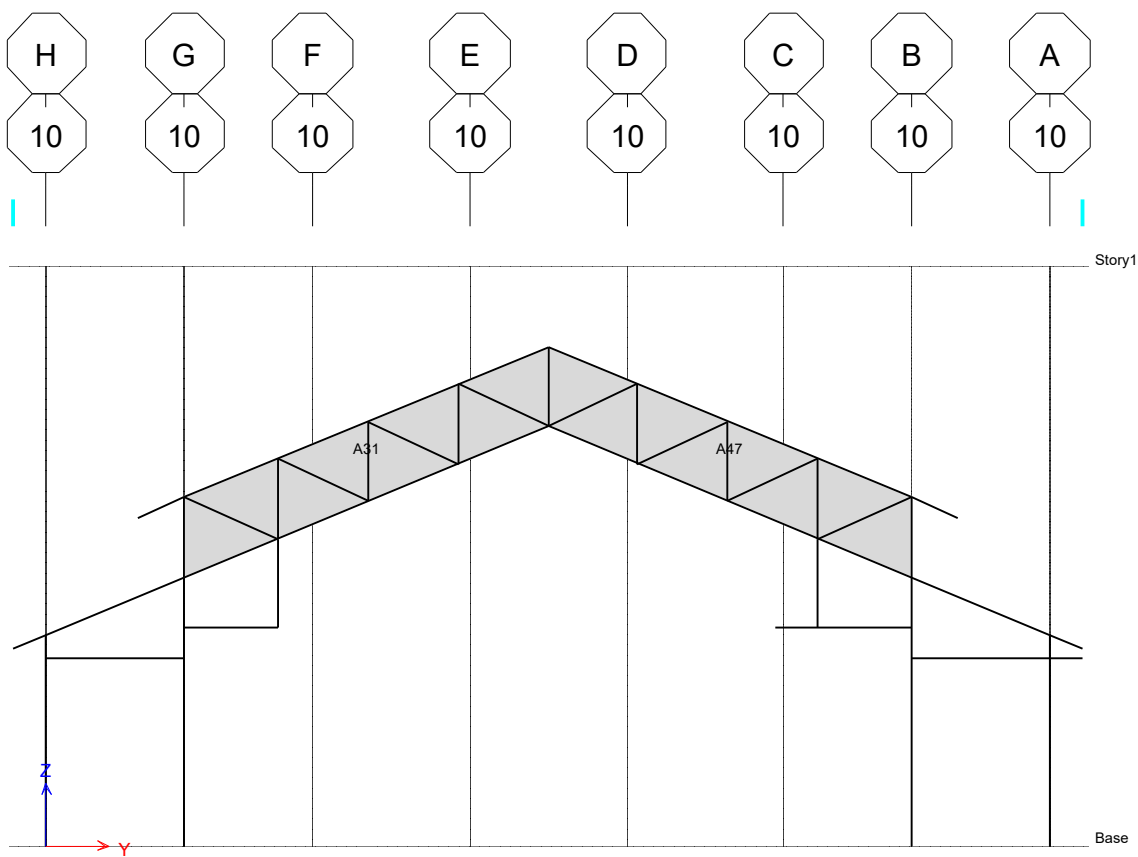
SR9
11/16/2021



AREA LABELS

ETABS 18.1.1

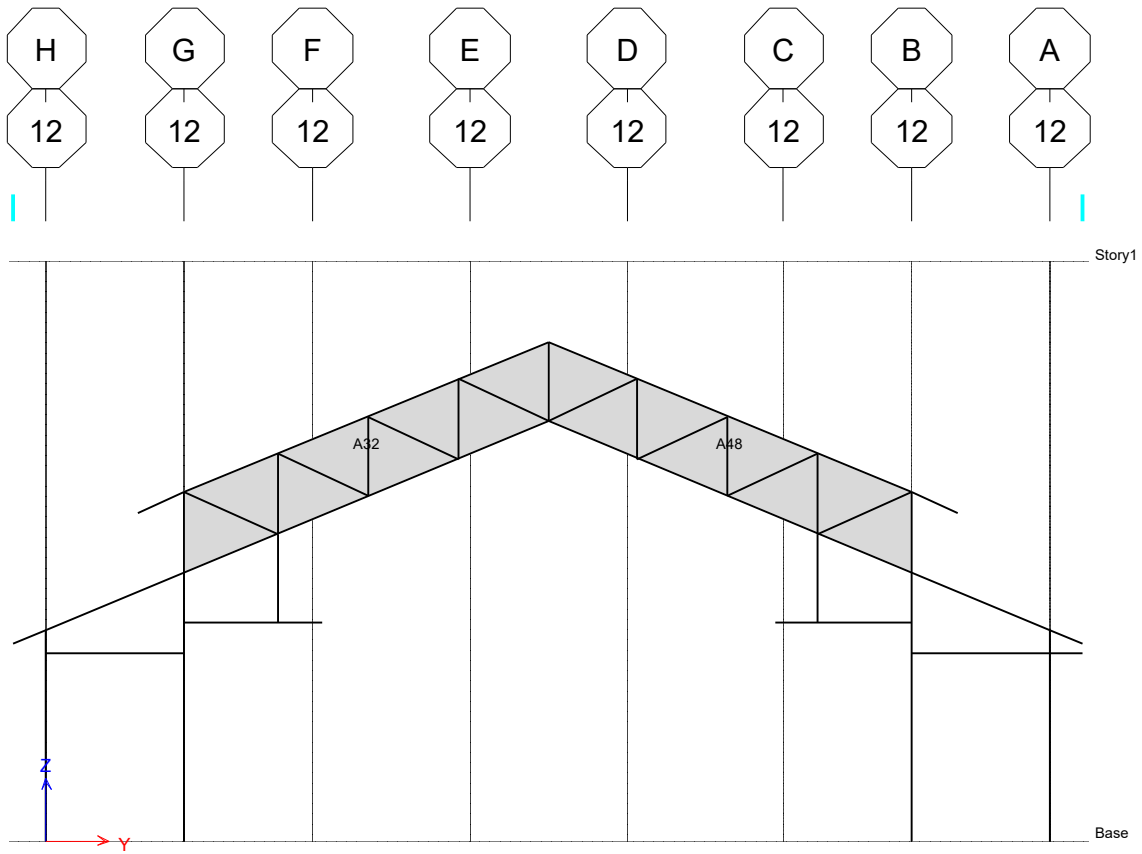
SR10
11/16/2021



AREA LABELS

ETABS 18.1.1

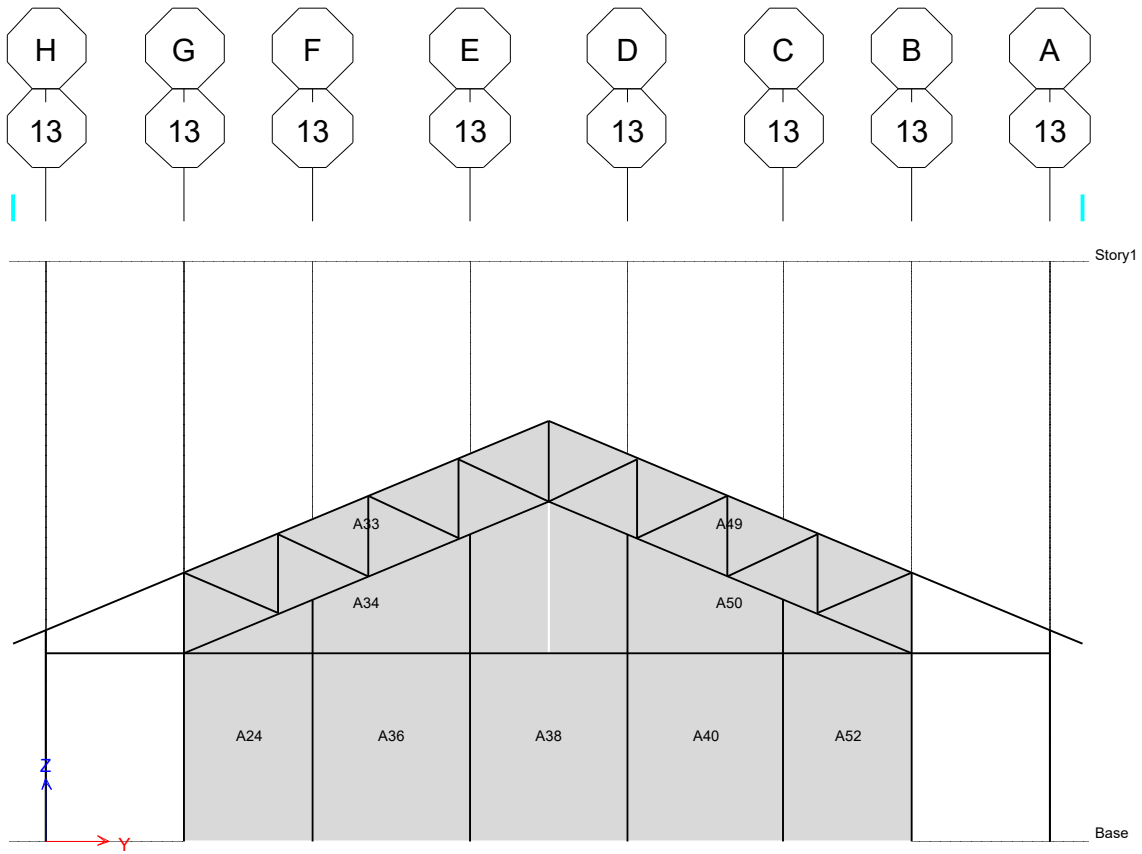
SR11
11/16/2021



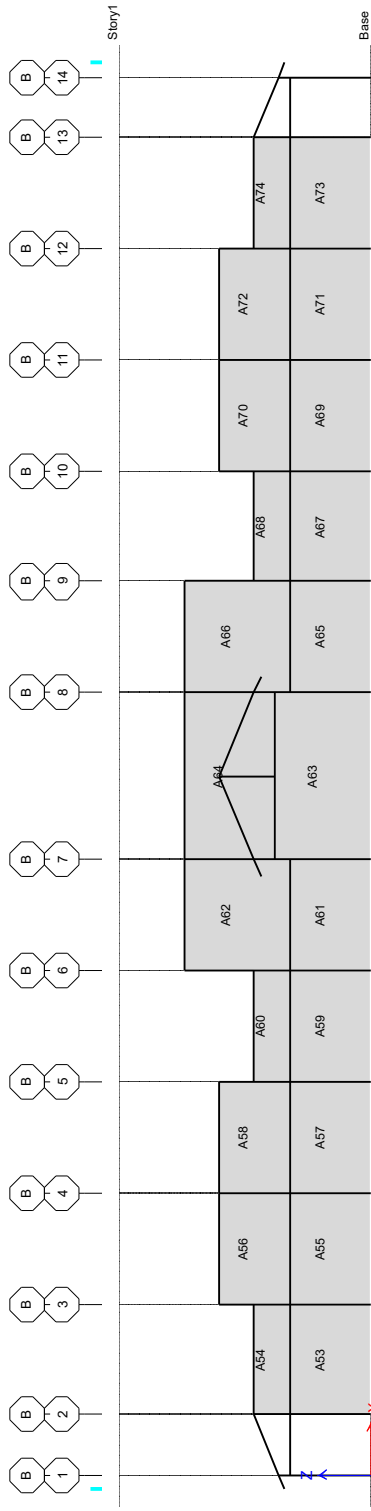
AREA LABELS

ETABS 18.1.1

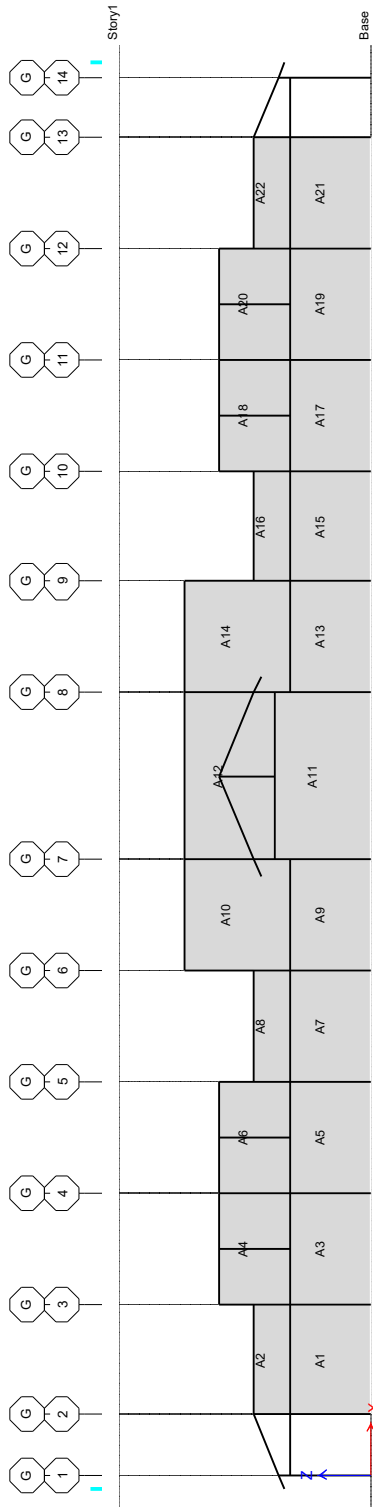
SR12
11/16/2021



AREA LABELS



AREA LABELS

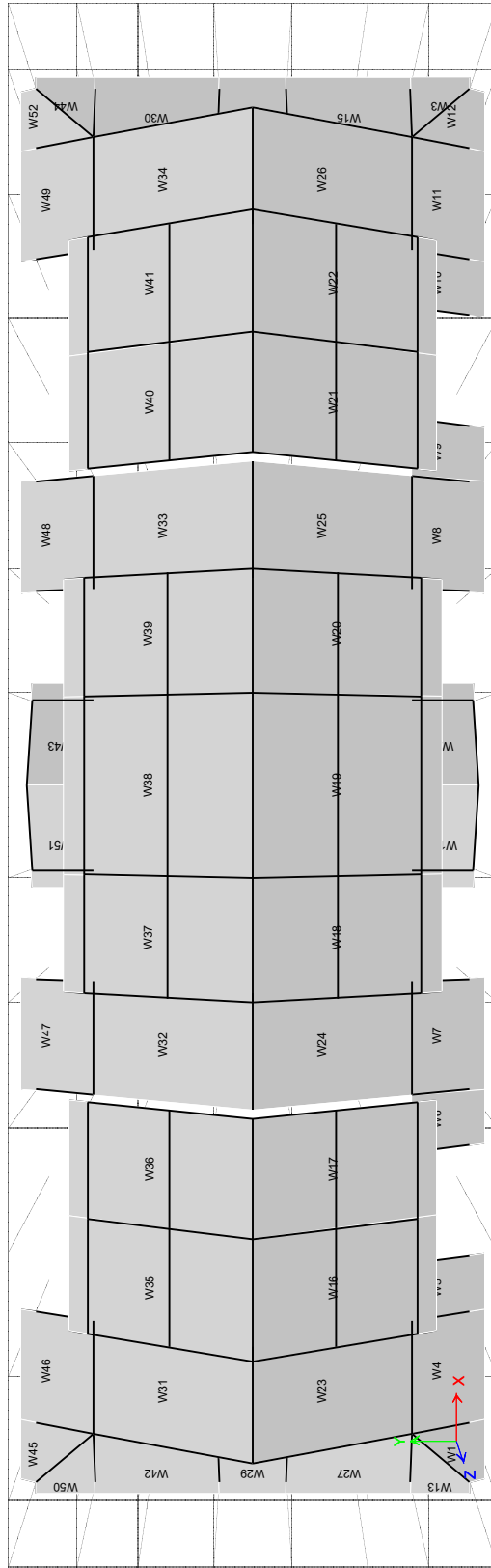


AREA LABELS

SR15

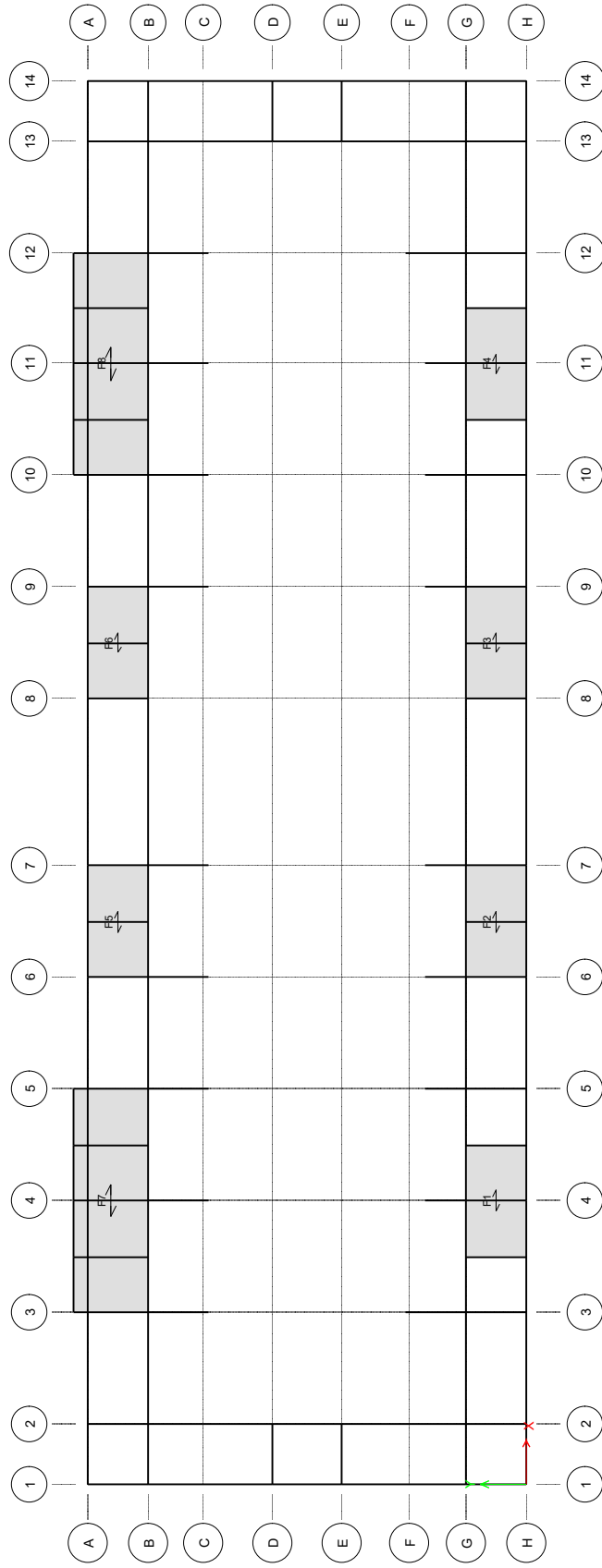
11/16/2021

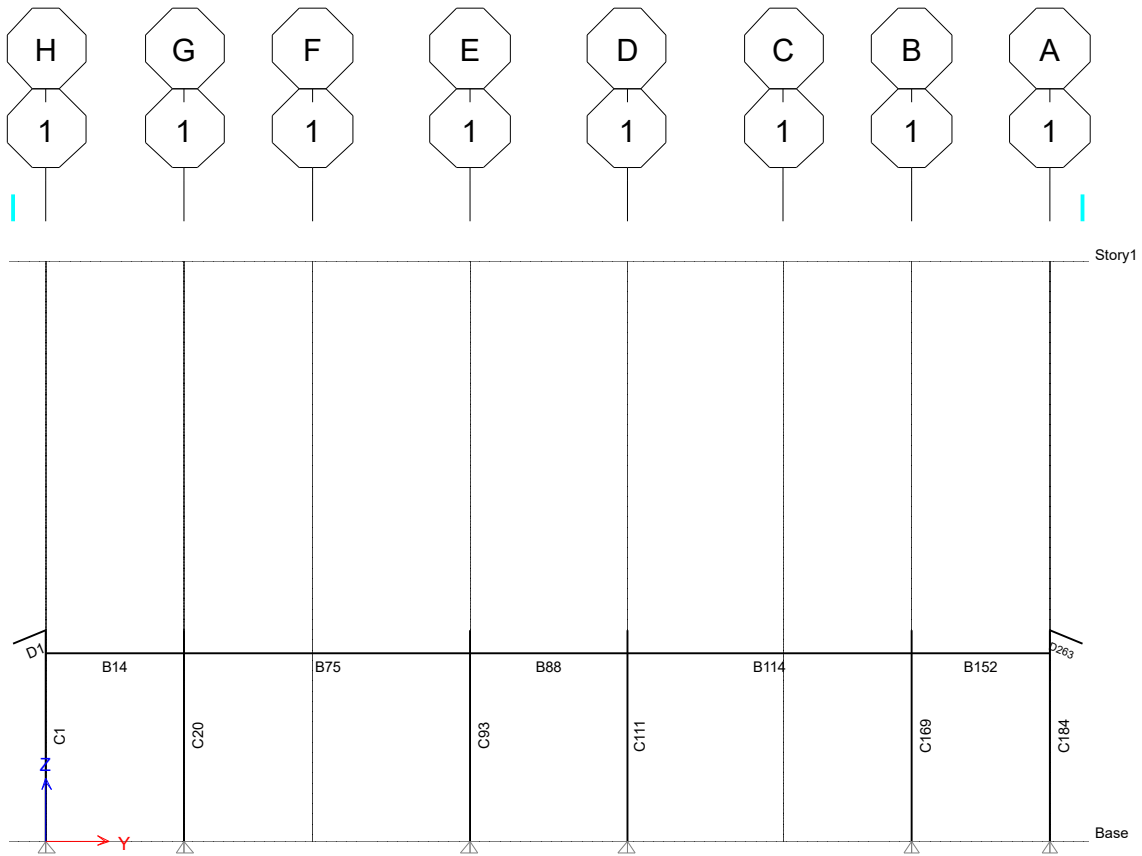
ETABS 18.1.1

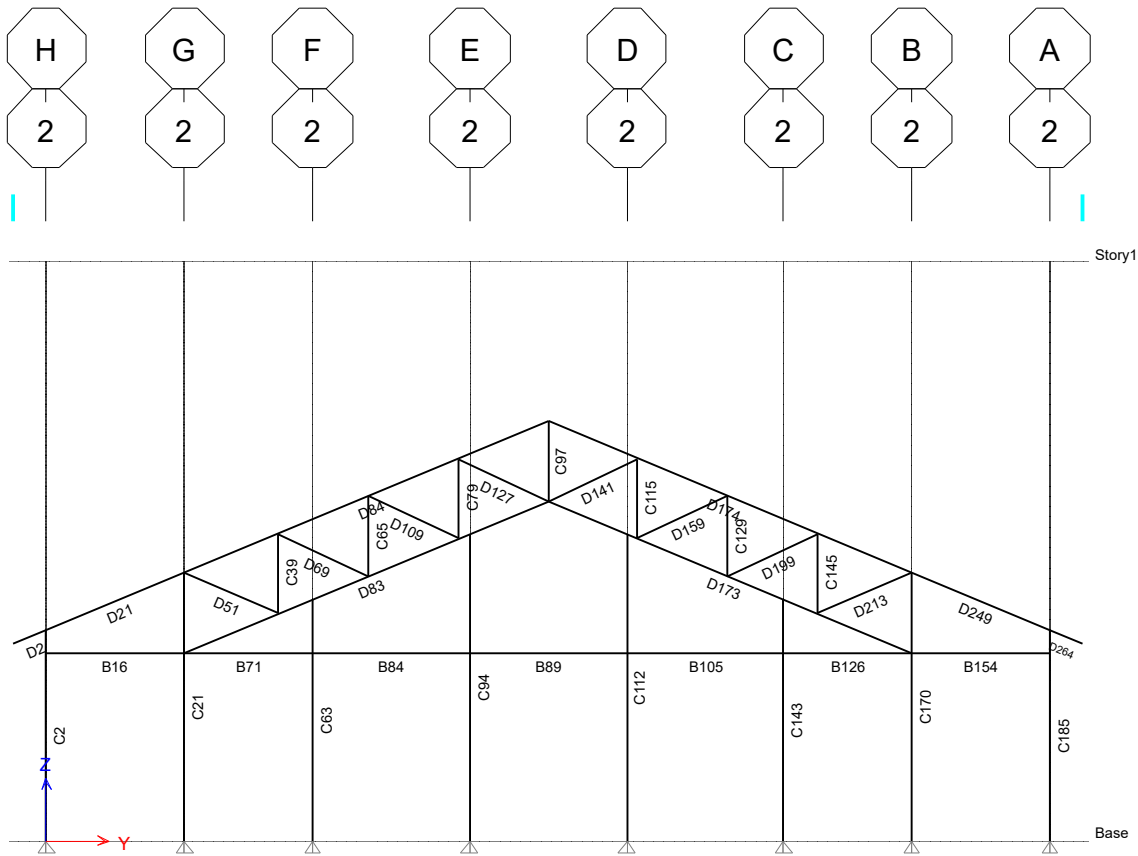


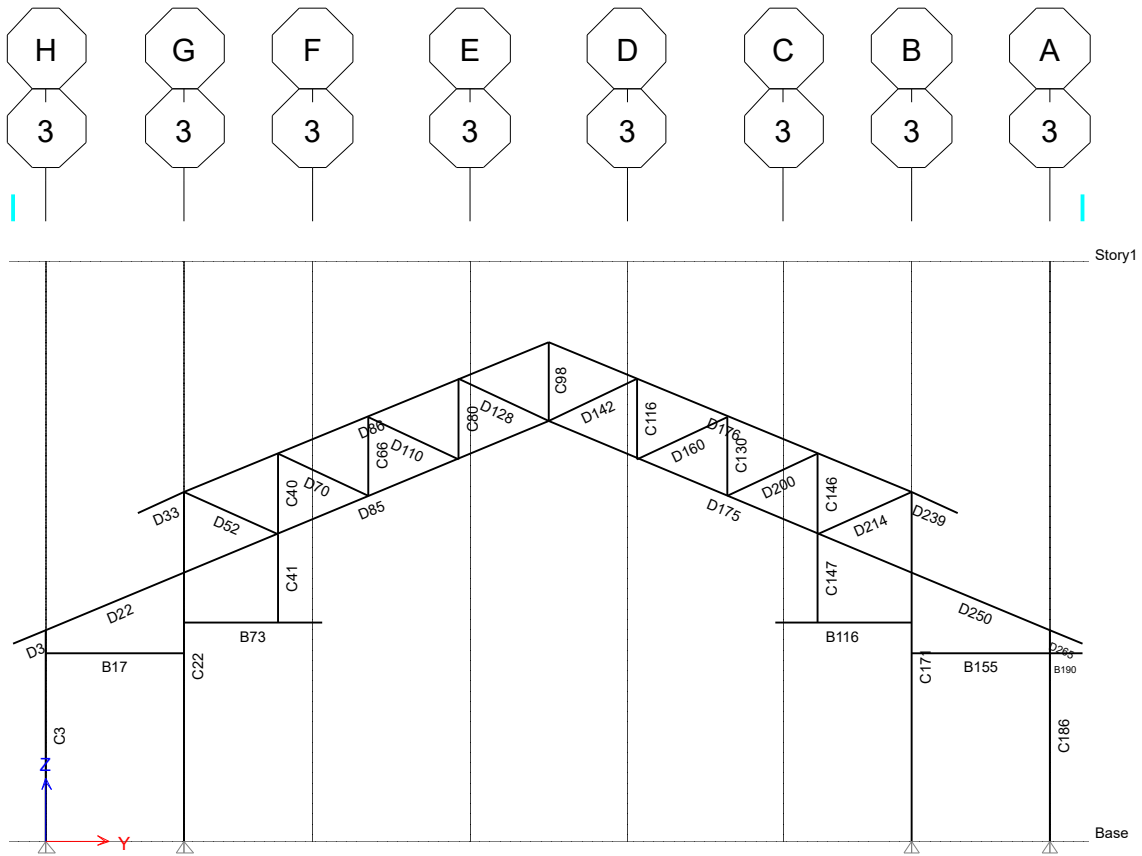
3-D View of Story1 Groups

AREA LABELS





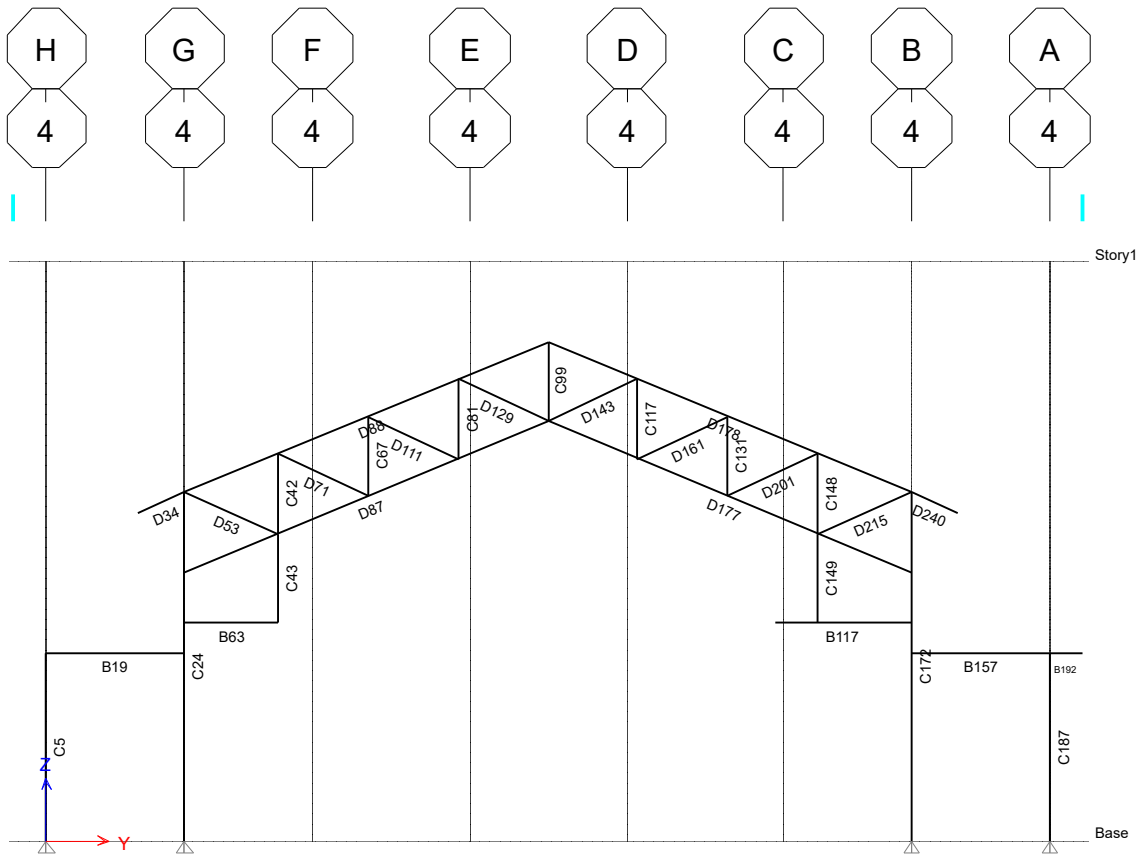


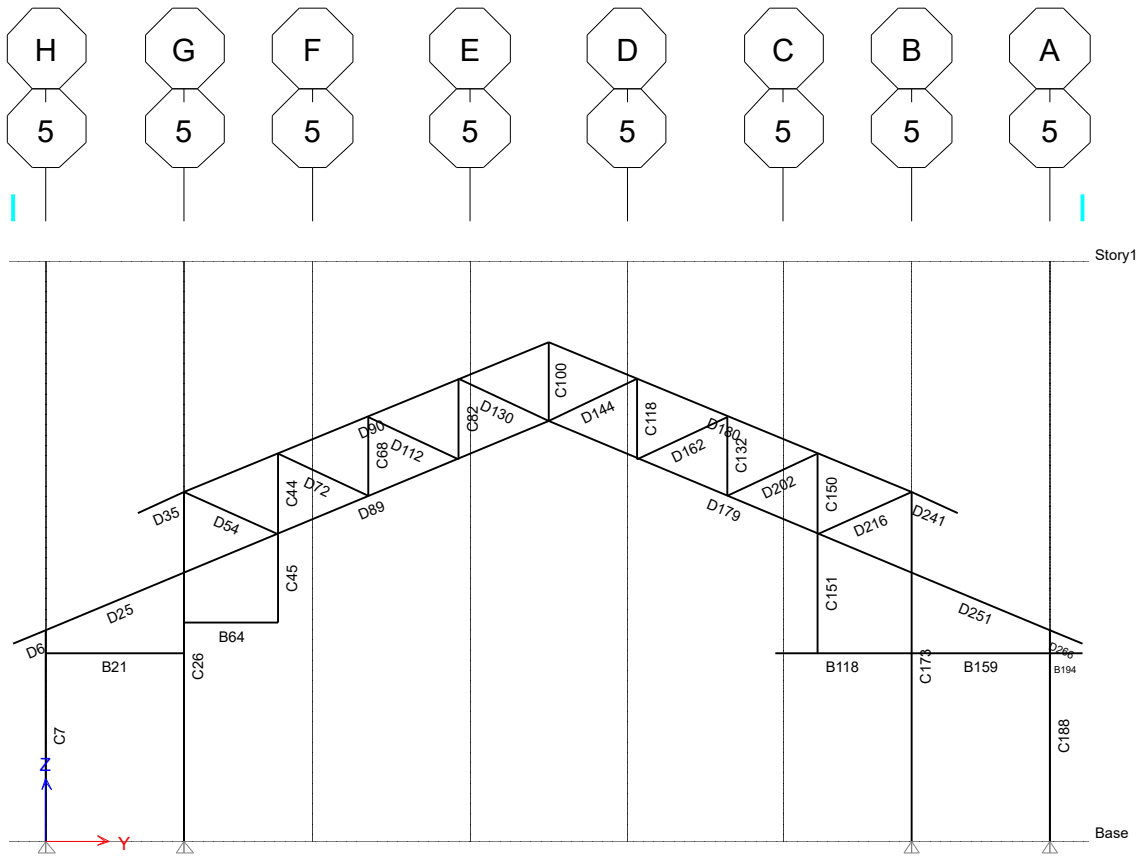


LINE LABELS

ETABS 18.1.1

SR20
11/16/2021

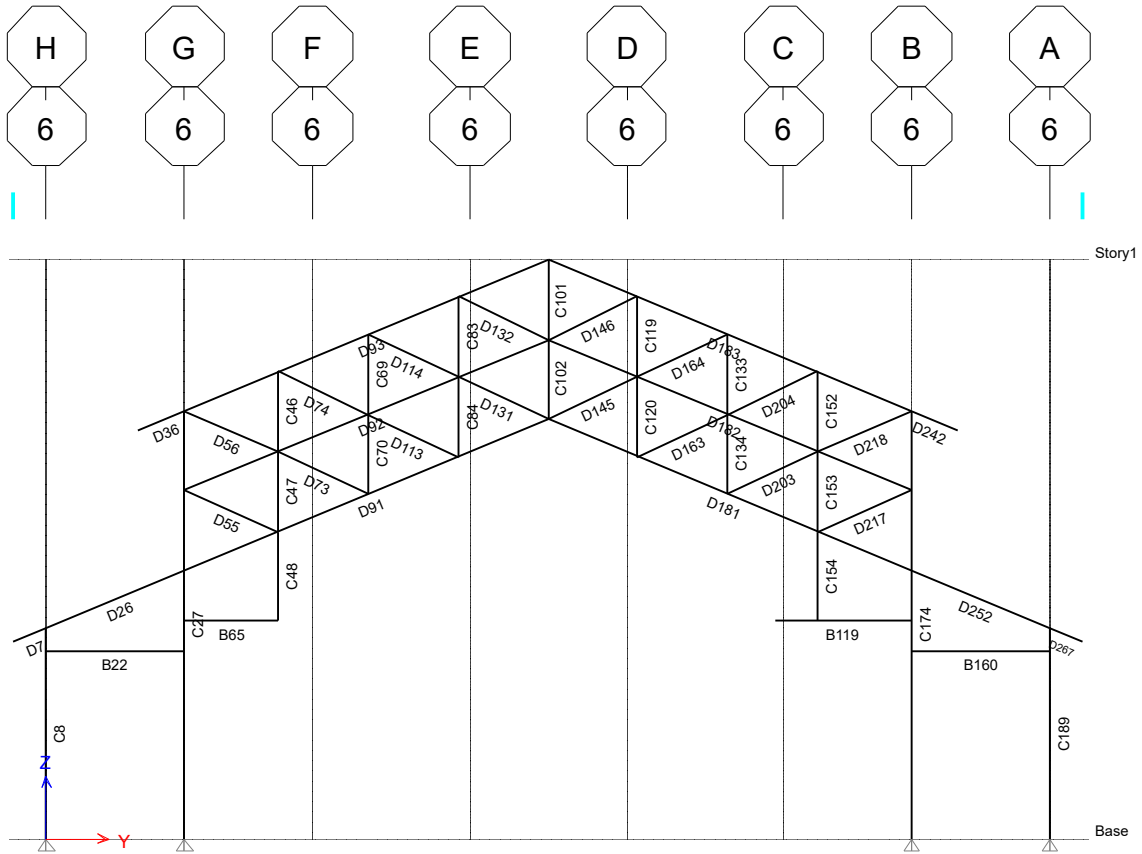




LINE LABELS

ETABS 18.1.1

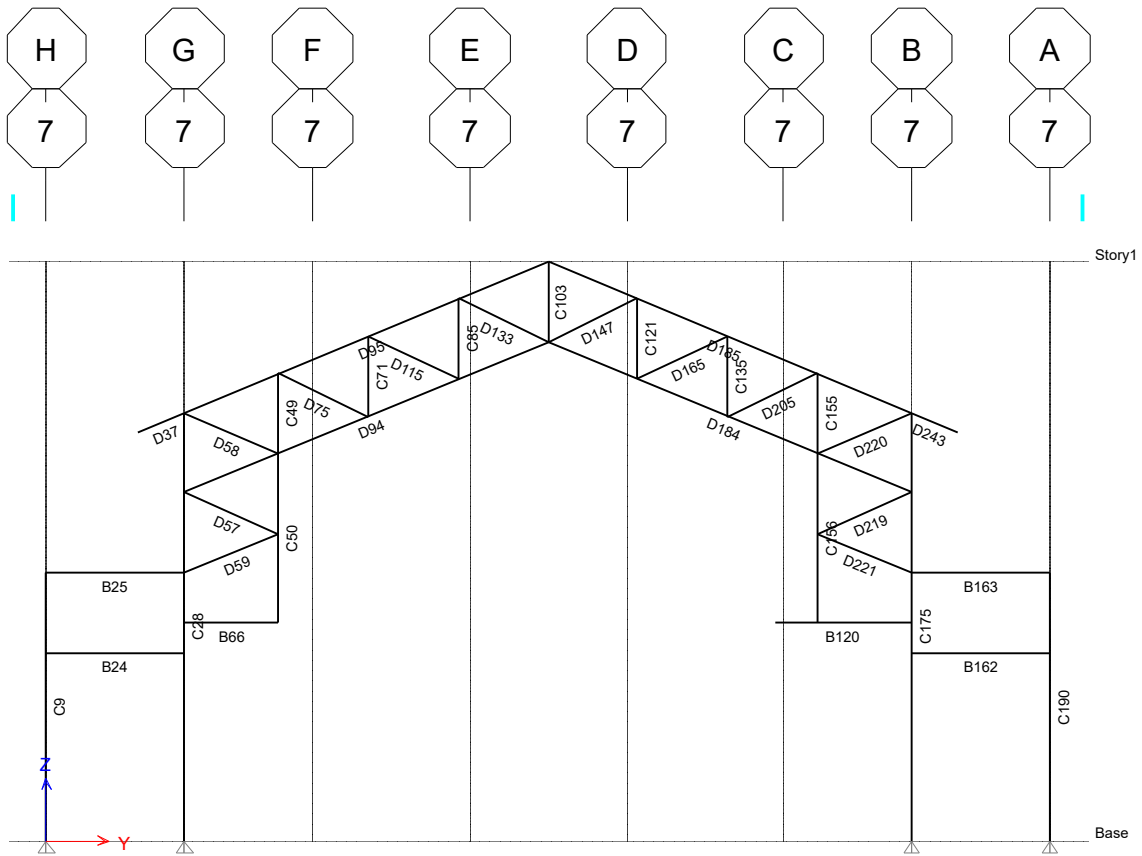
SR22
11/16/2021



LINE LABELS

ETABS 18.1.1

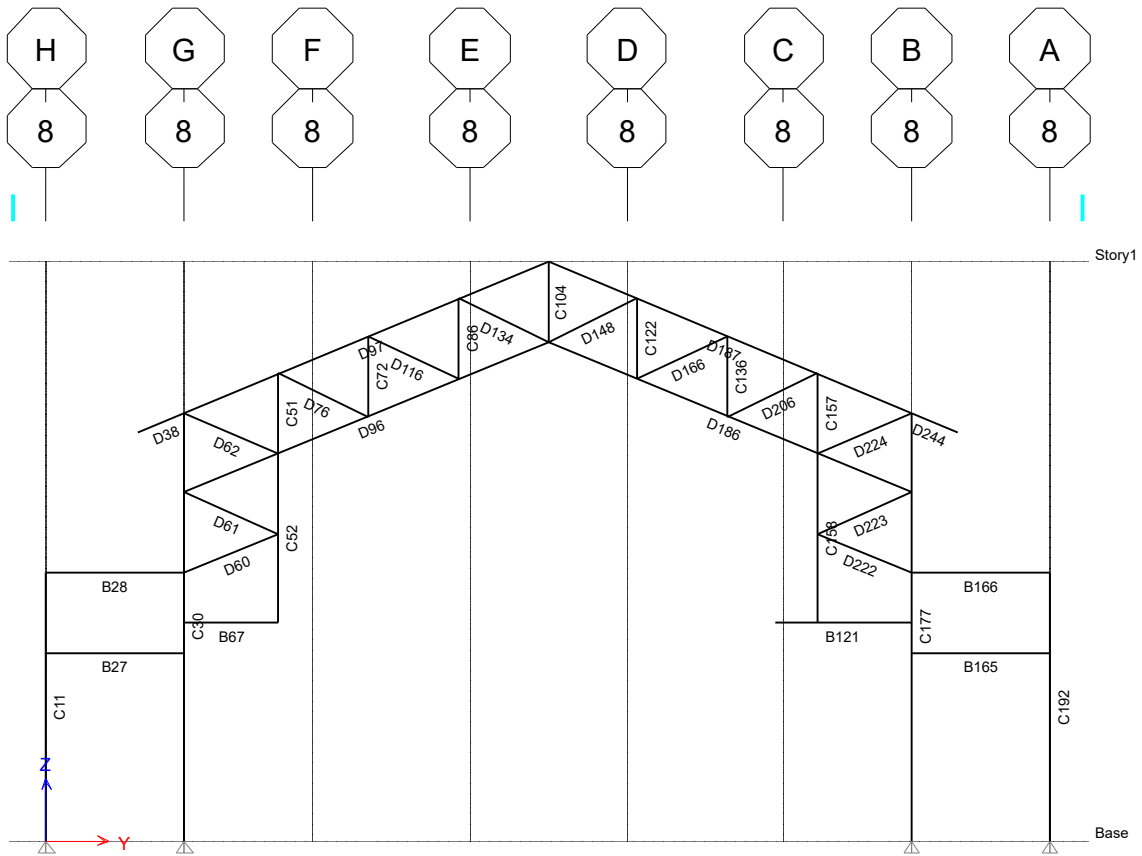
SR23
11/16/2021



LINE LABELS

ETABS 18.1.1

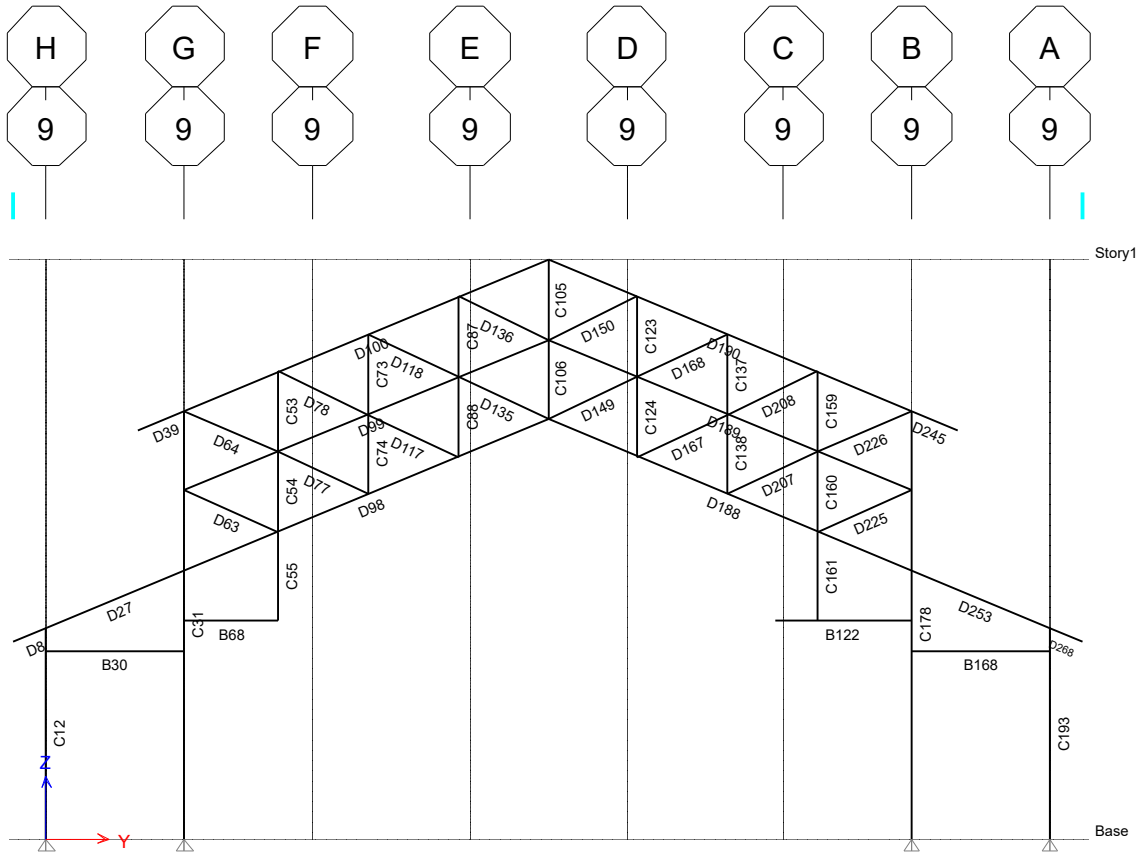
SR24
11/16/2021



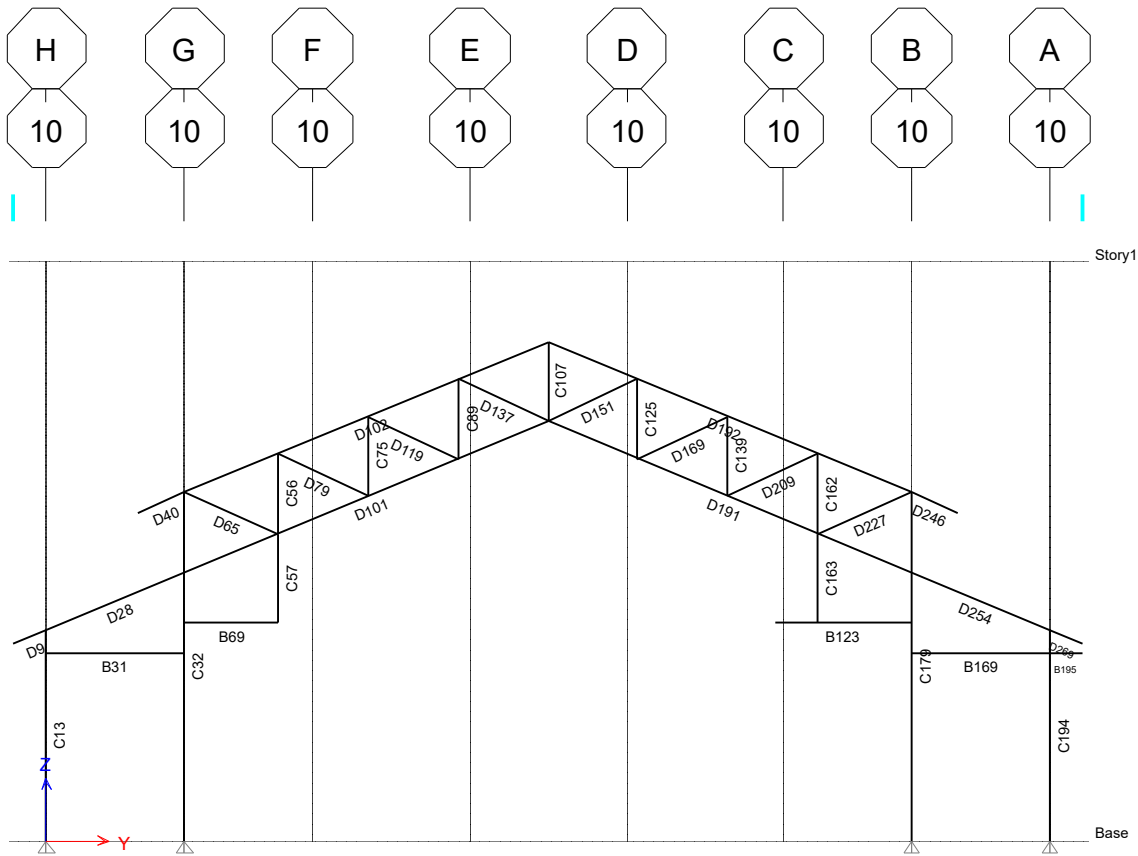
LINE LABELS

ETABS 18.1.1

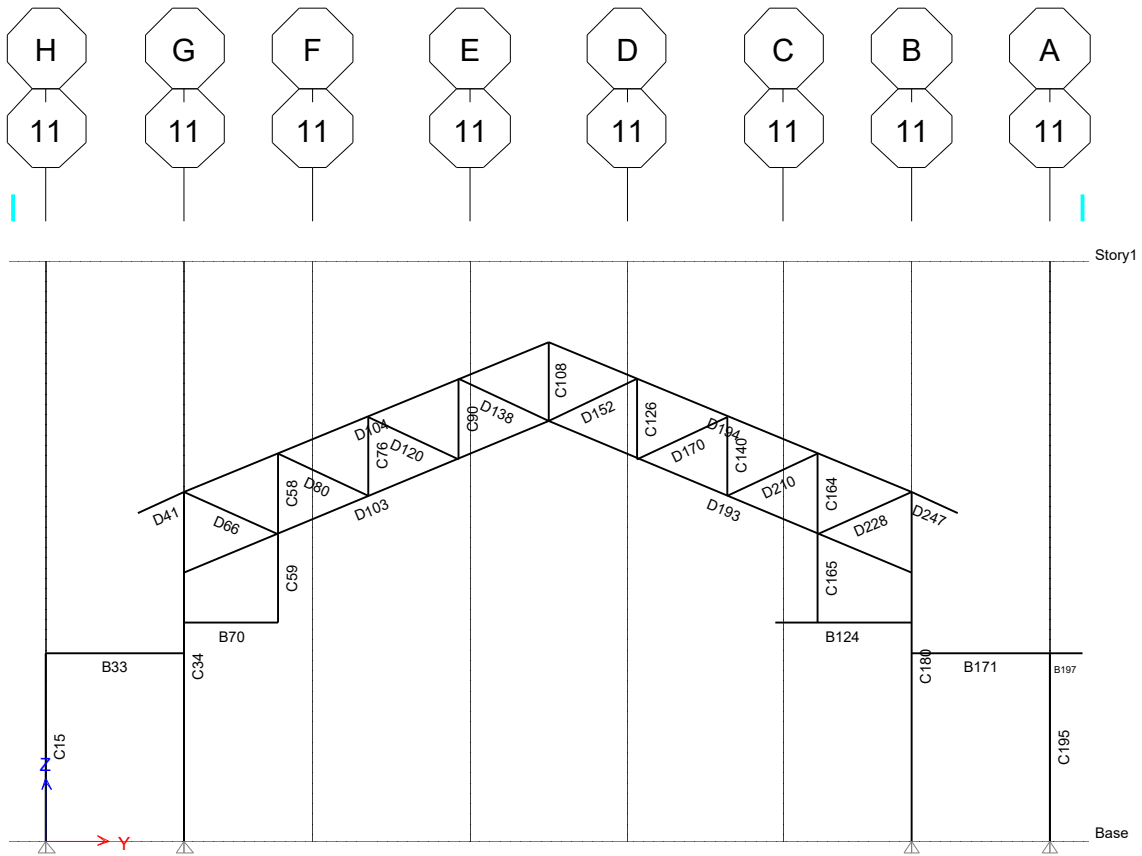
SR25
11/16/2021

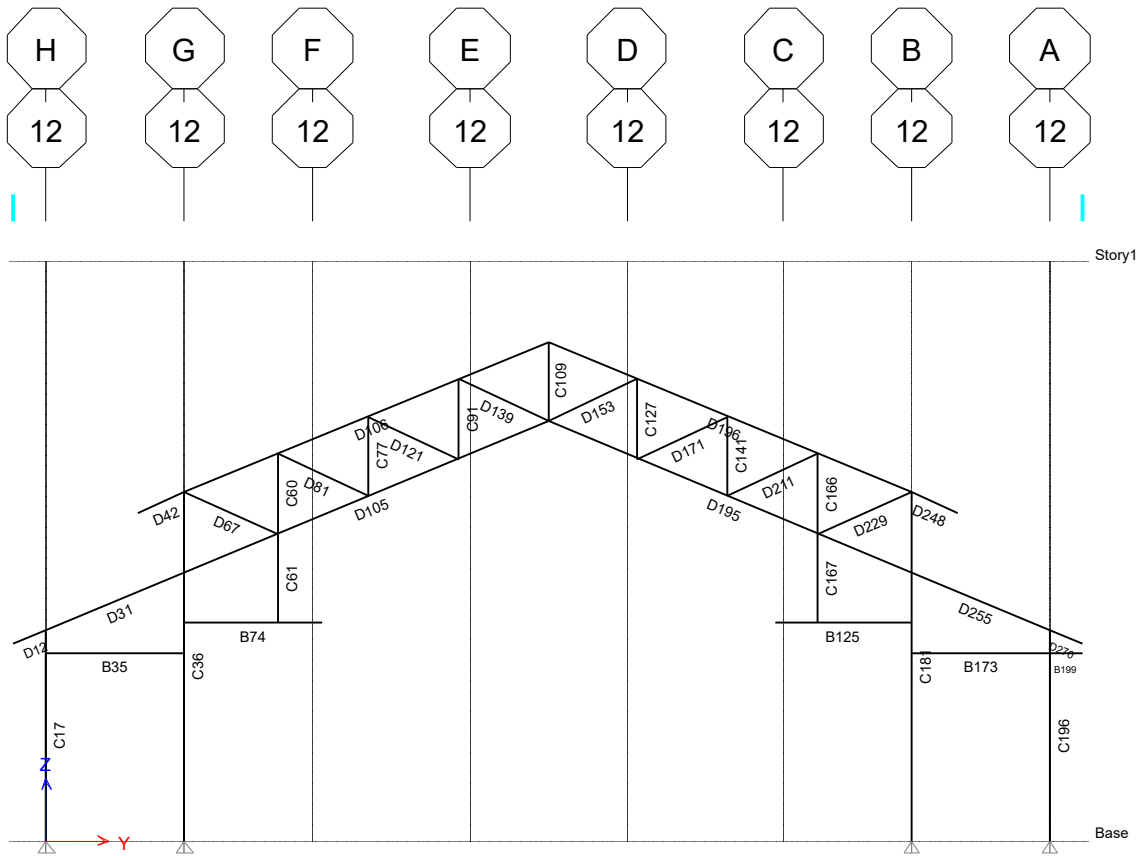


LINE LABELS



LINE LABELS

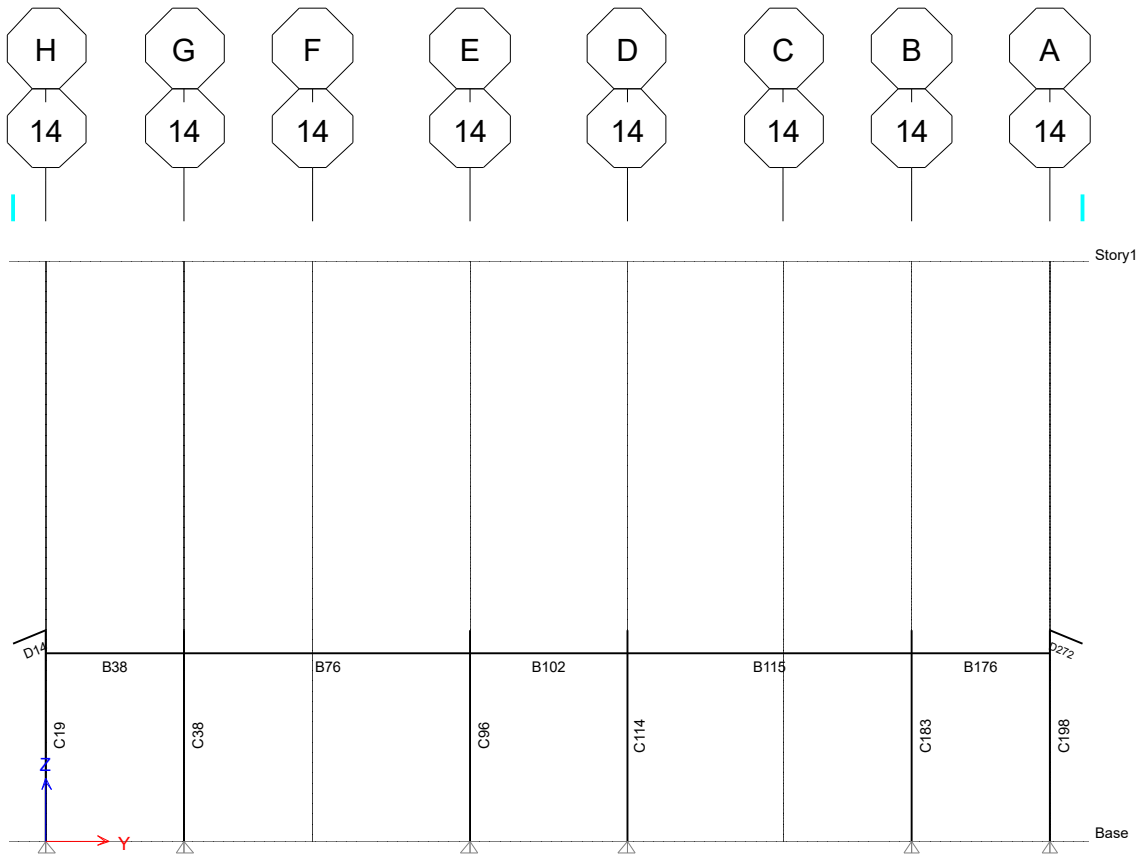




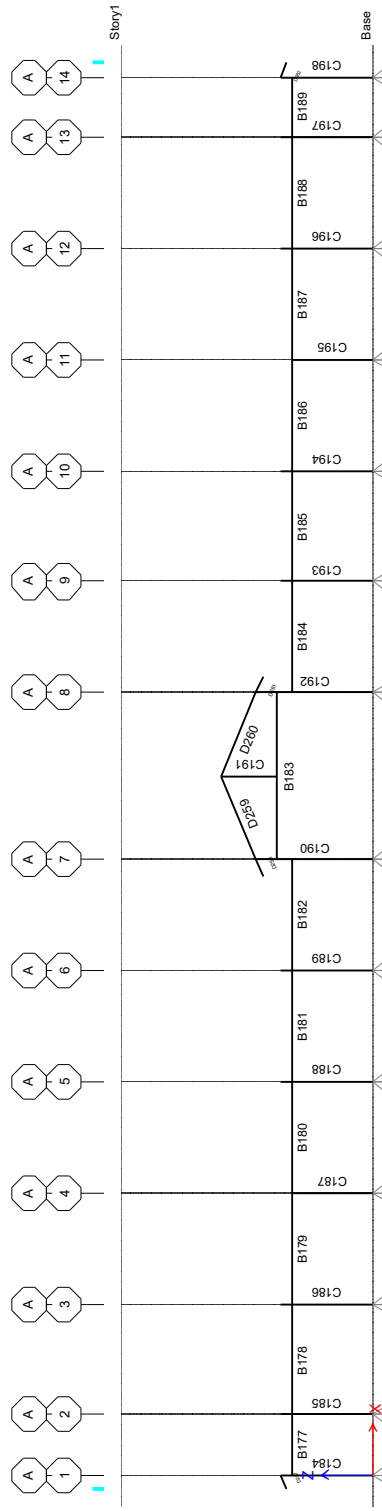
LINE LABELS

ETABS 18.1.1

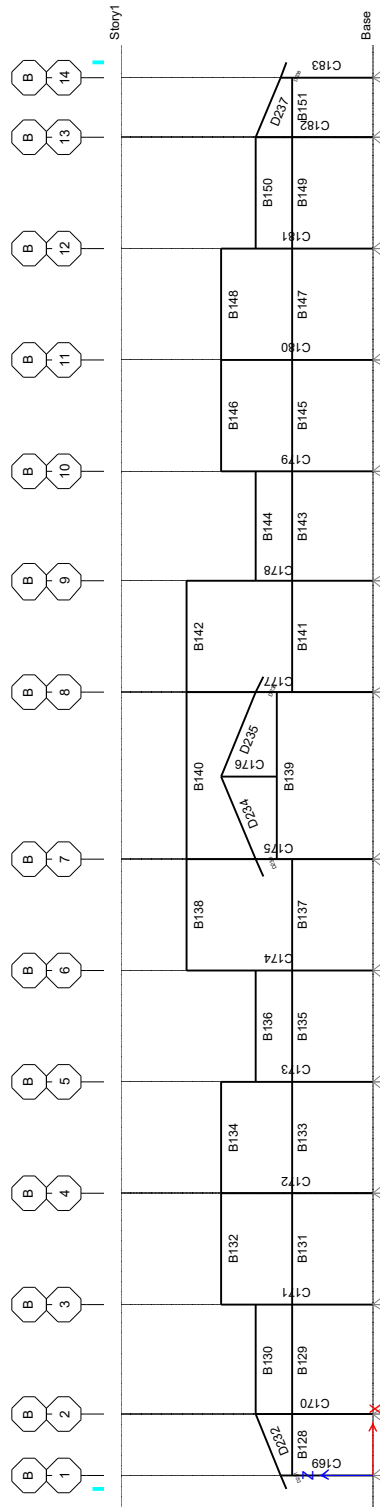
SR30
11/16/2021



LINE LABELS

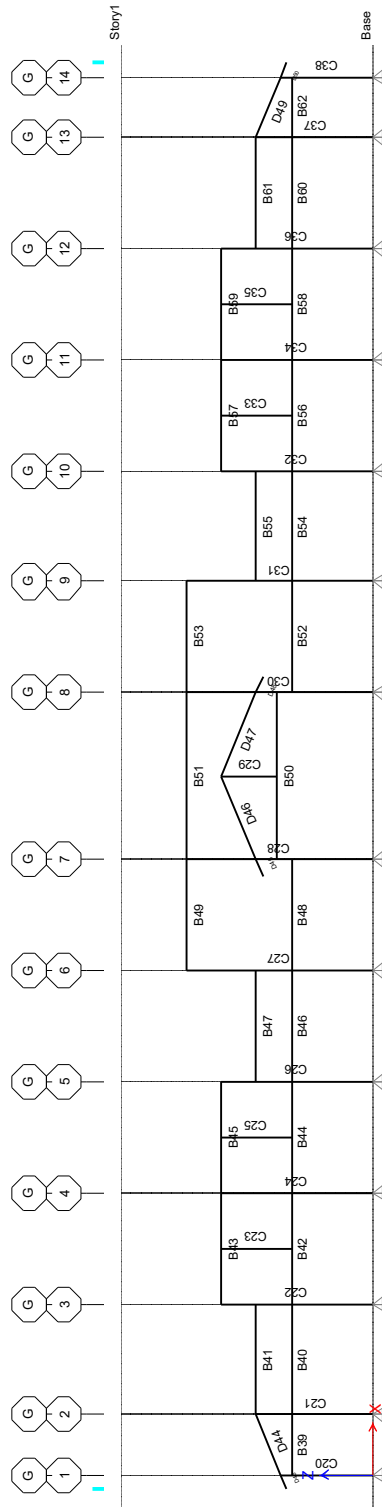


LINE LABELS

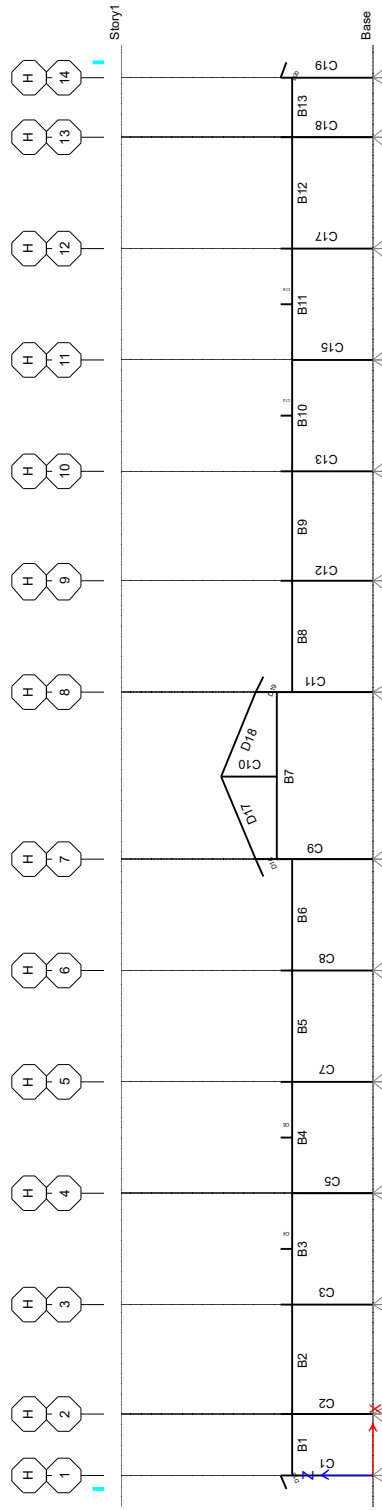


Elevation View - B

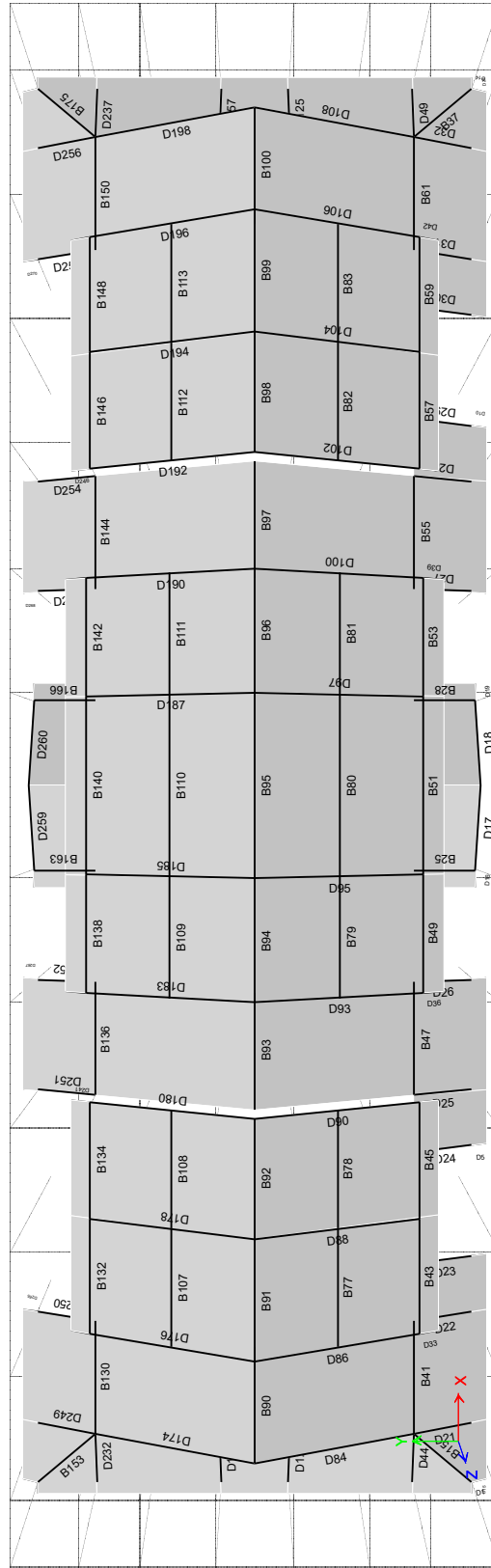
LINE LABELS



LINE LABELS

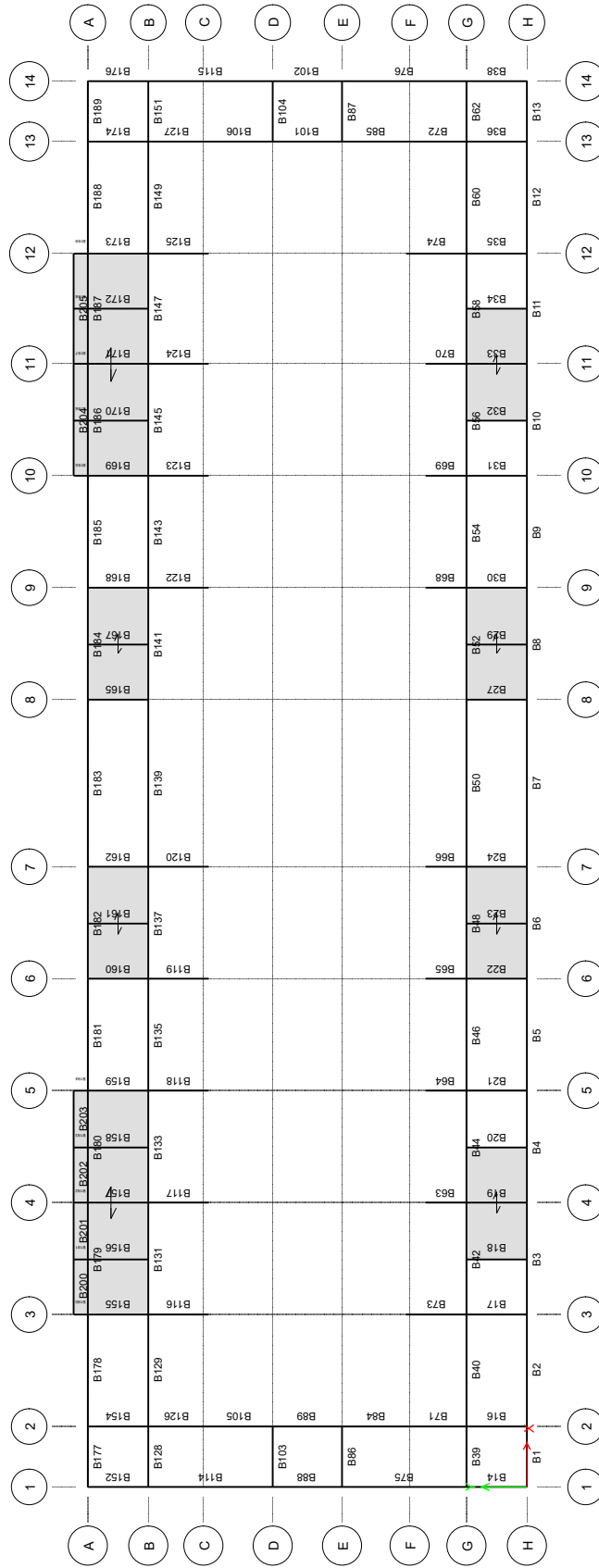


LINE LABELS



3-D View of Story1 Groups

LINE LABELS

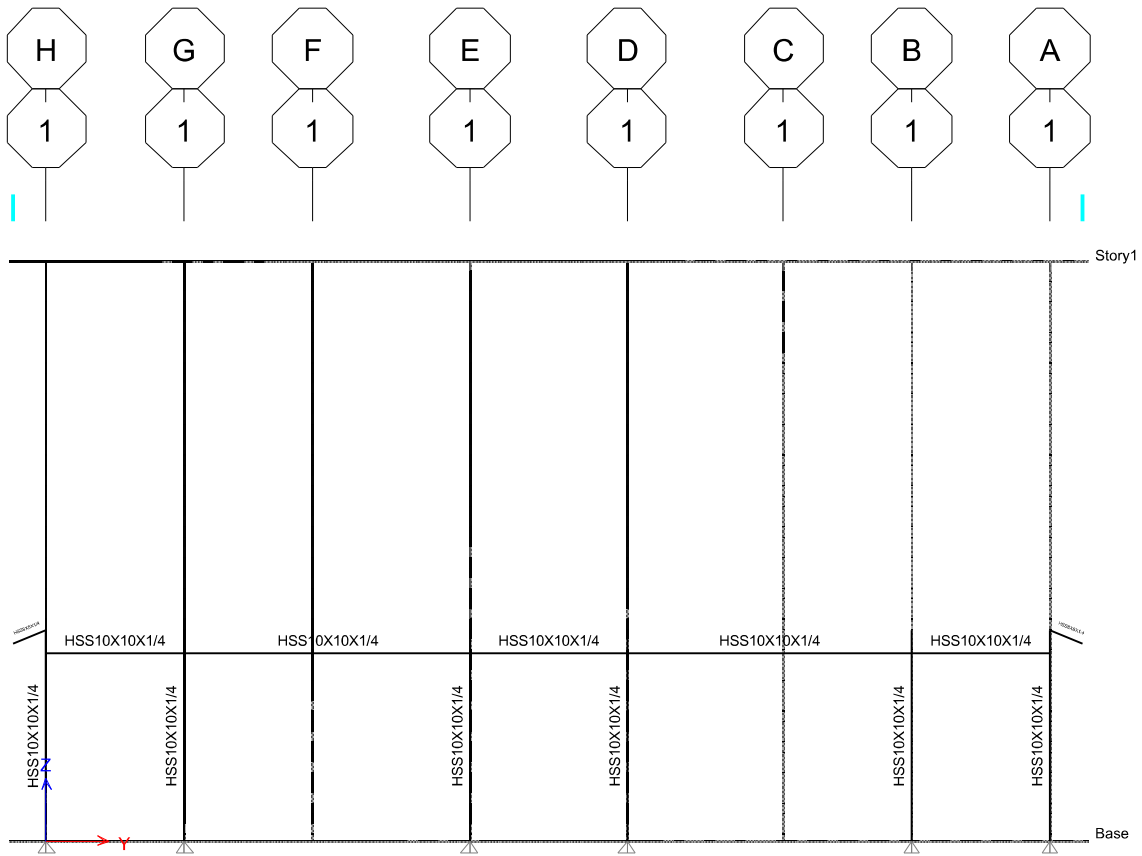


Plan View - Story1 - Z = 435 (in)

LINE SECTIONS

ETABS 18.1.1

SR37
11/17/2021

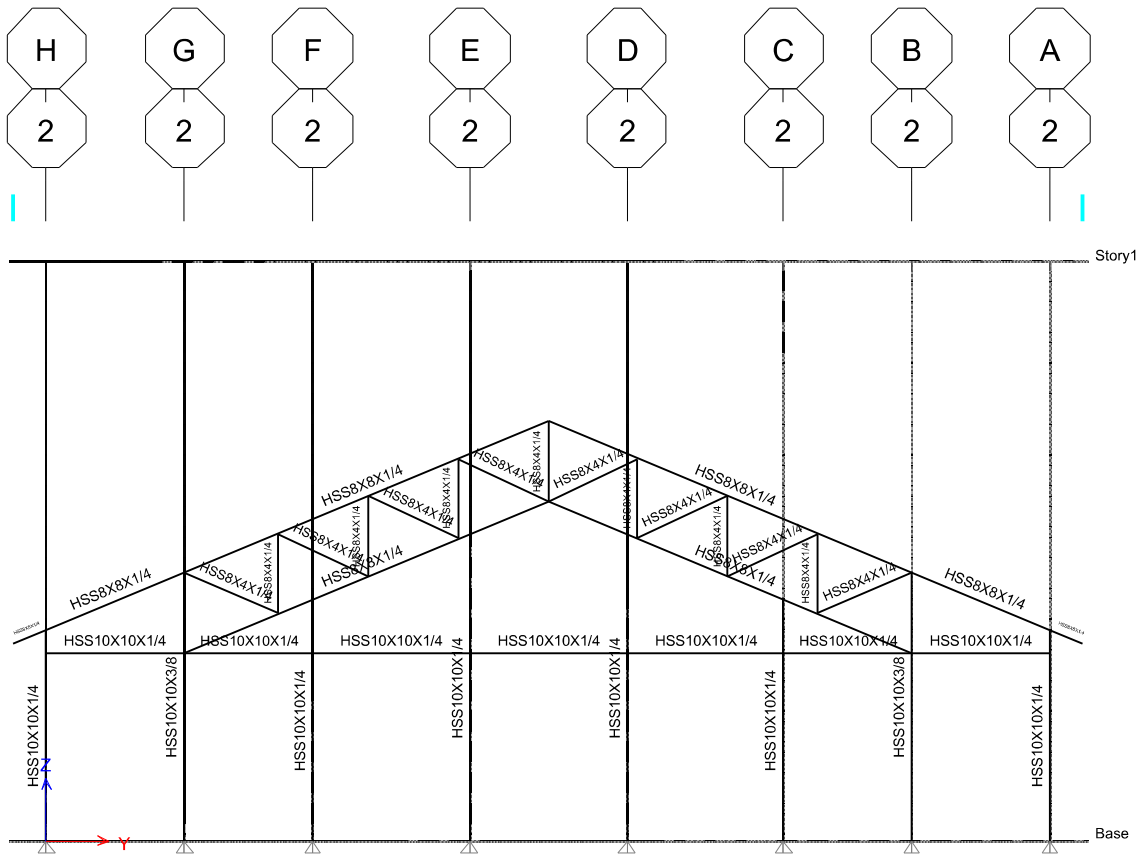


LINE SECTIONS

ETABS 18.1.1

SR38
11/17/2021

Note: All Truss Frame web diagonals changed to HSS 6x4x1/4

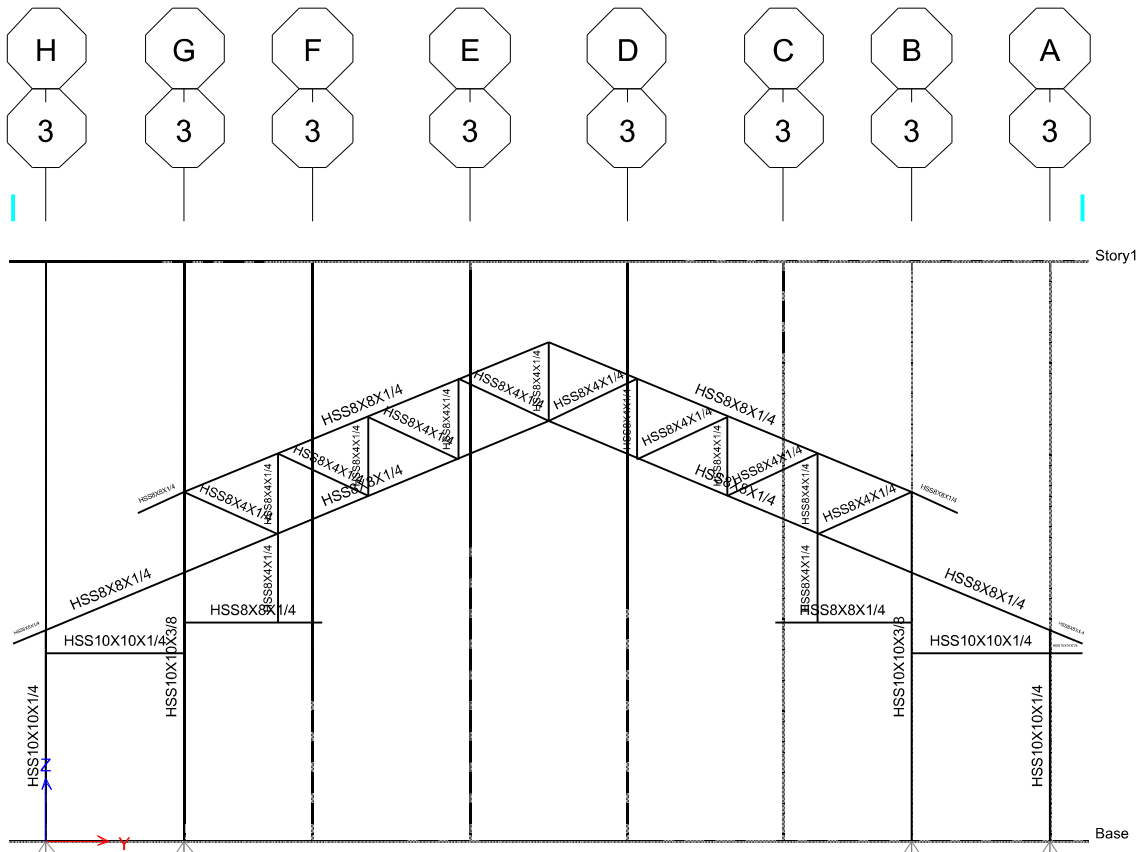


LINE SECTIONS

ETABS 18.1.1

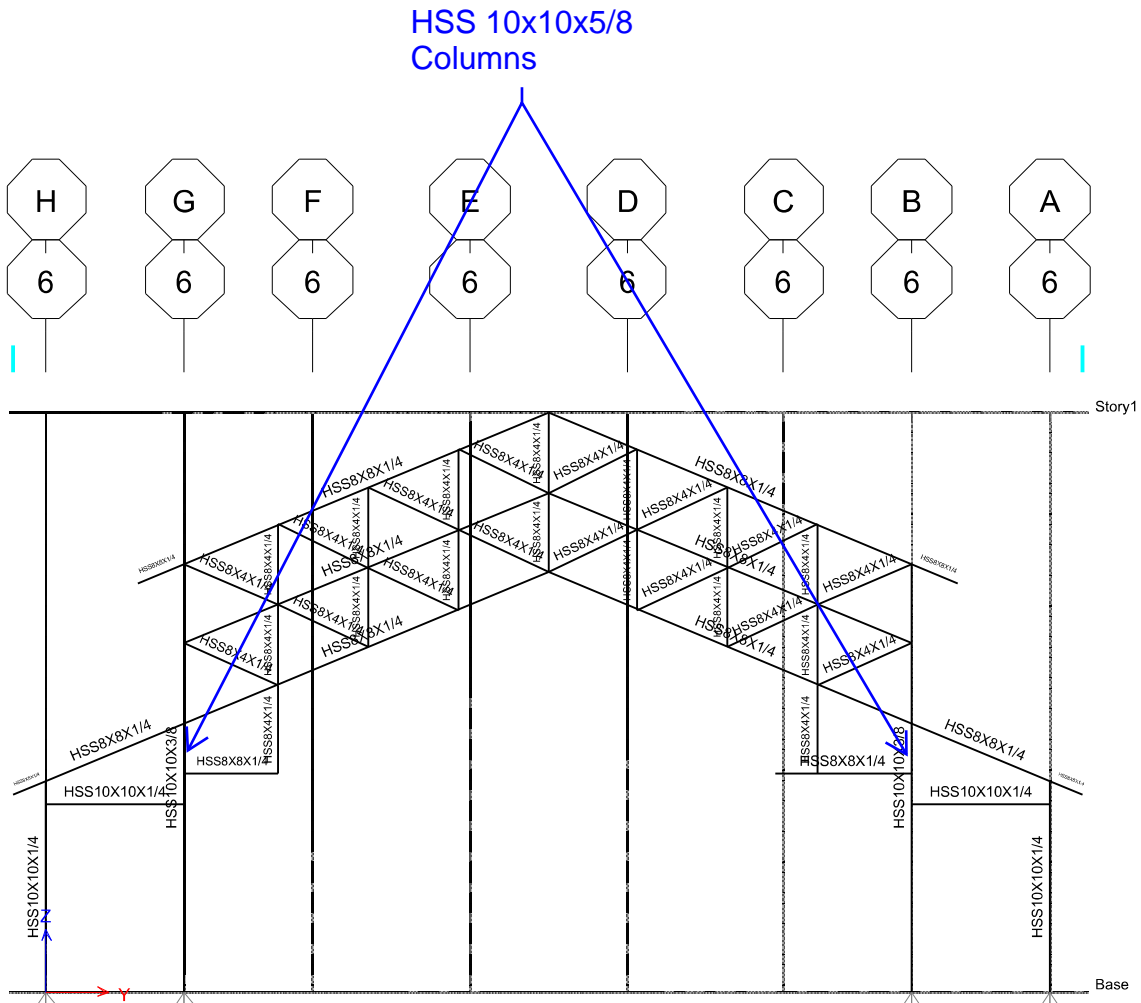
SR39
11/17/2021

Note: All Truss Frame web diagonals changed to HSS 6x4x1/4



LINE SECTIONS

Note: All Truss Frame web diagonals changed to HSS 6x4x1/4

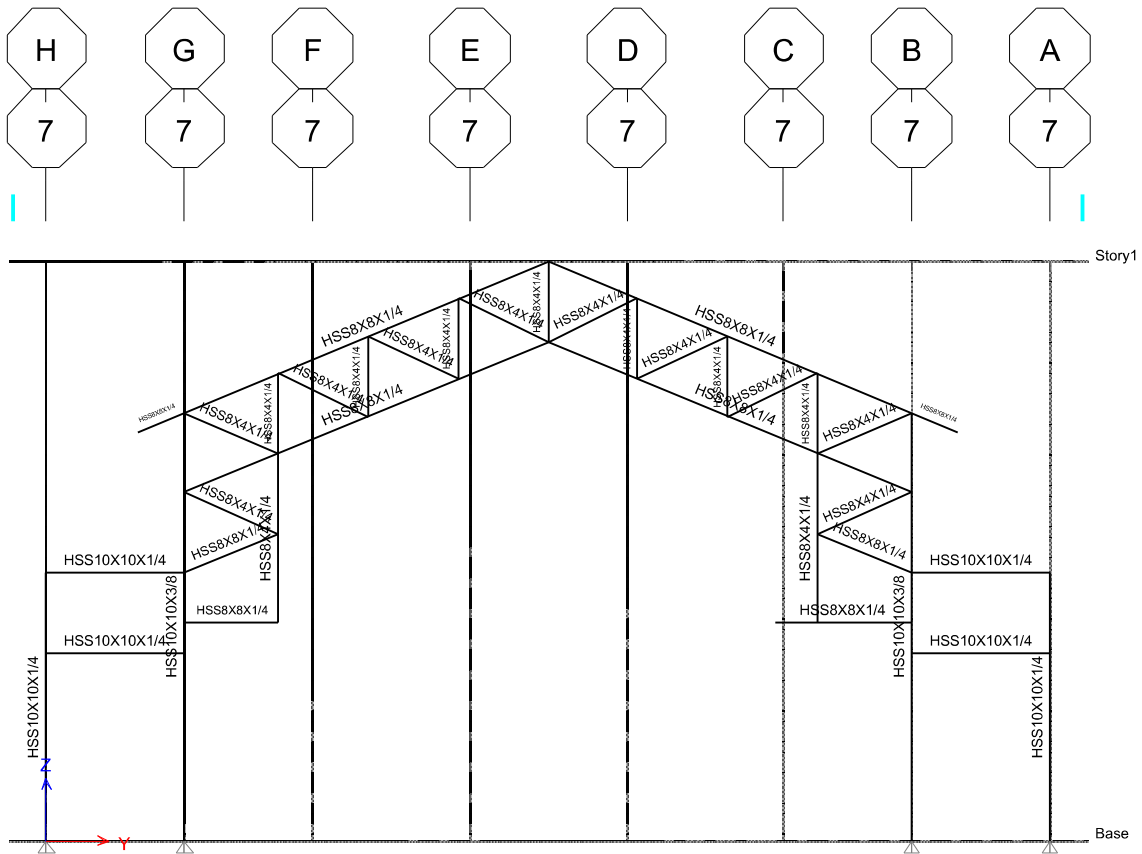


LINE SECTIONS

ETABS 18.1.1

SR43
11/17/2021

Note: All Truss Frame web diagonals changed to HSS 6x4x1/4

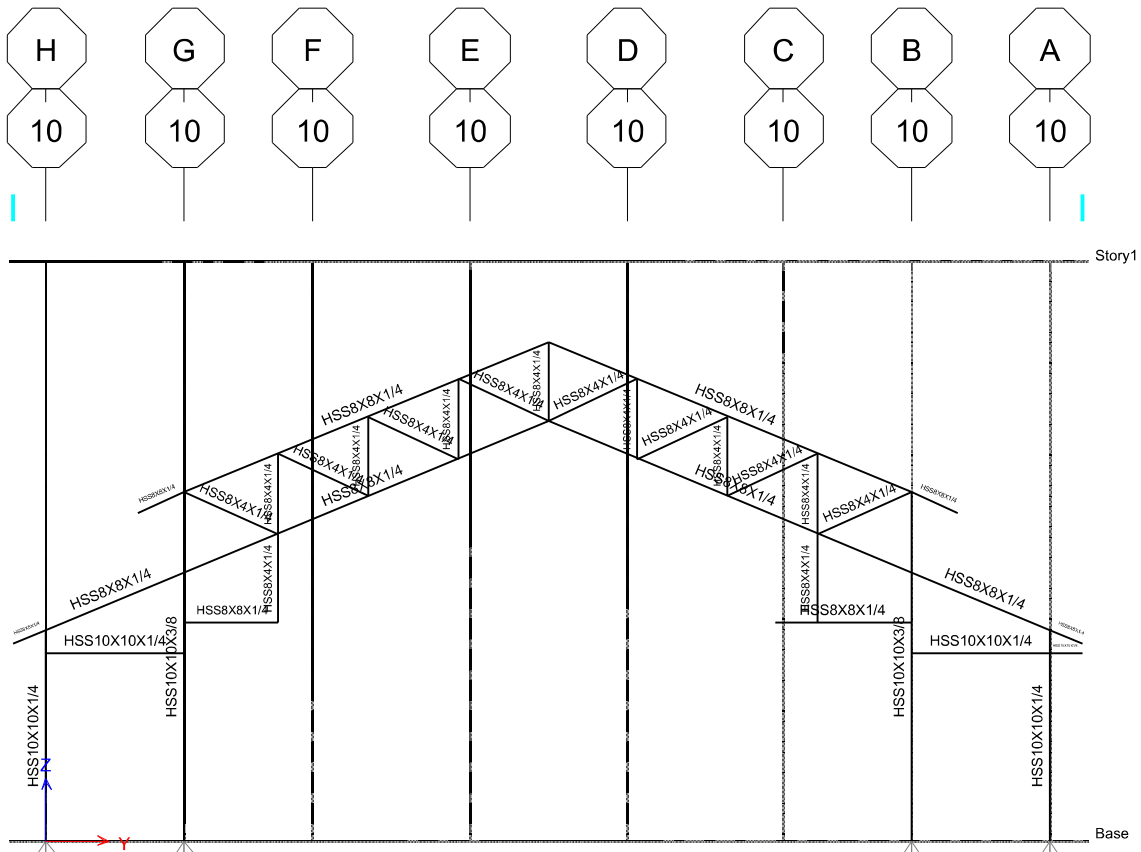


LINE SECTIONS

ETABS 18.1.1

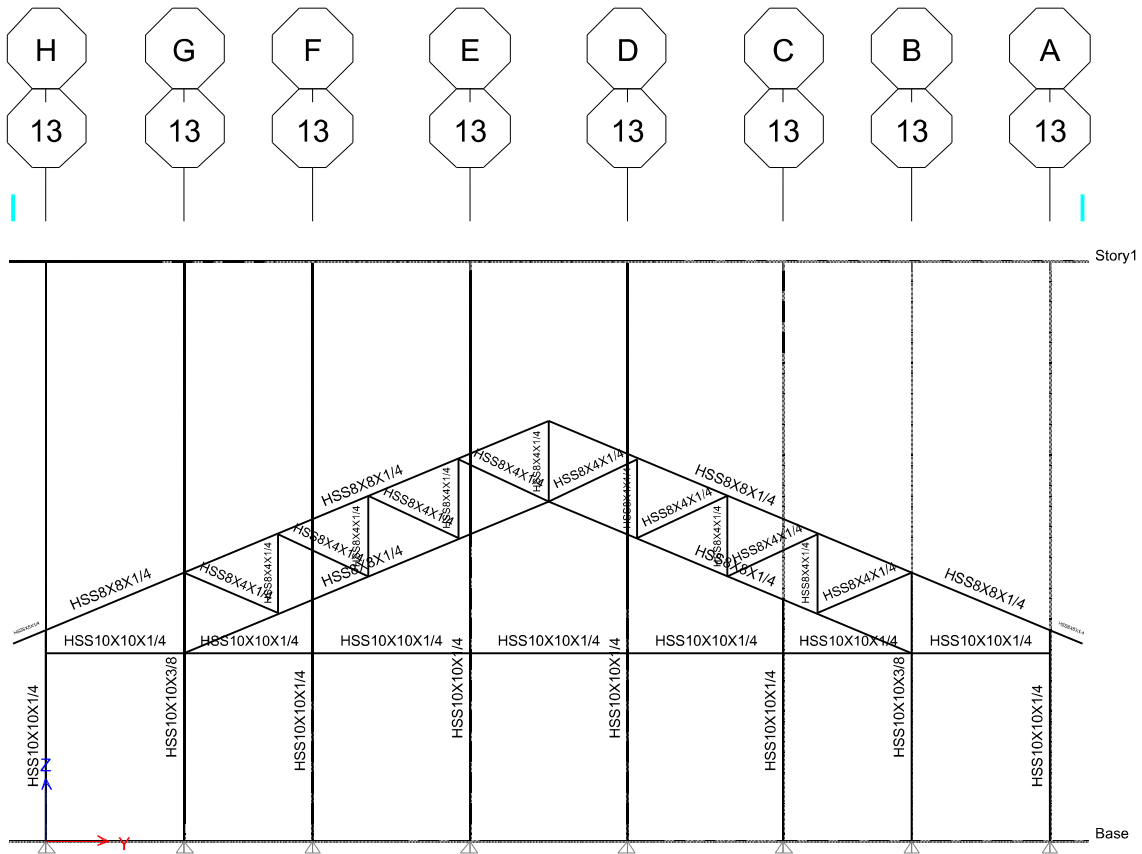
SR46
11/17/2021

Note: All Truss Frame web diagonals
changed to HSS 6x4x1/4



LINE SECTIONS

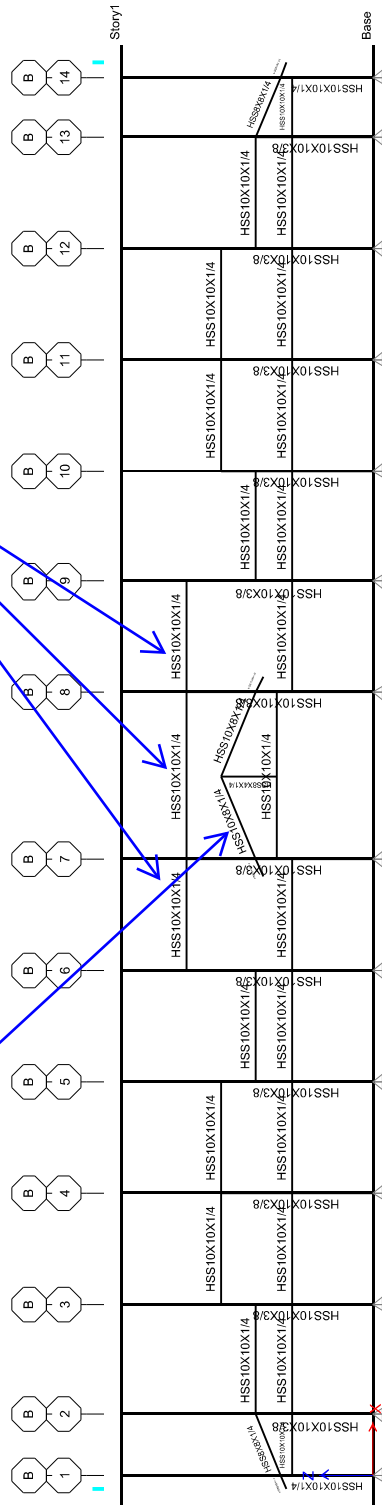
Note: All Truss Frame web diagonals changed to HSS 6x4x1/4



LINE SECTIONS

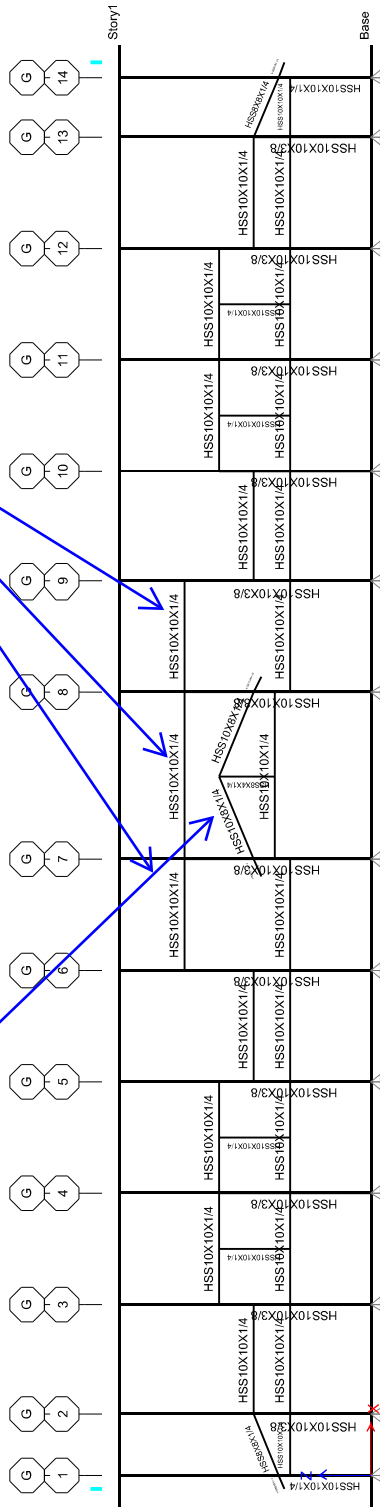
Beams changed to HSS 10x10x3/8

Rafters changed to HSS 8x8x1/4

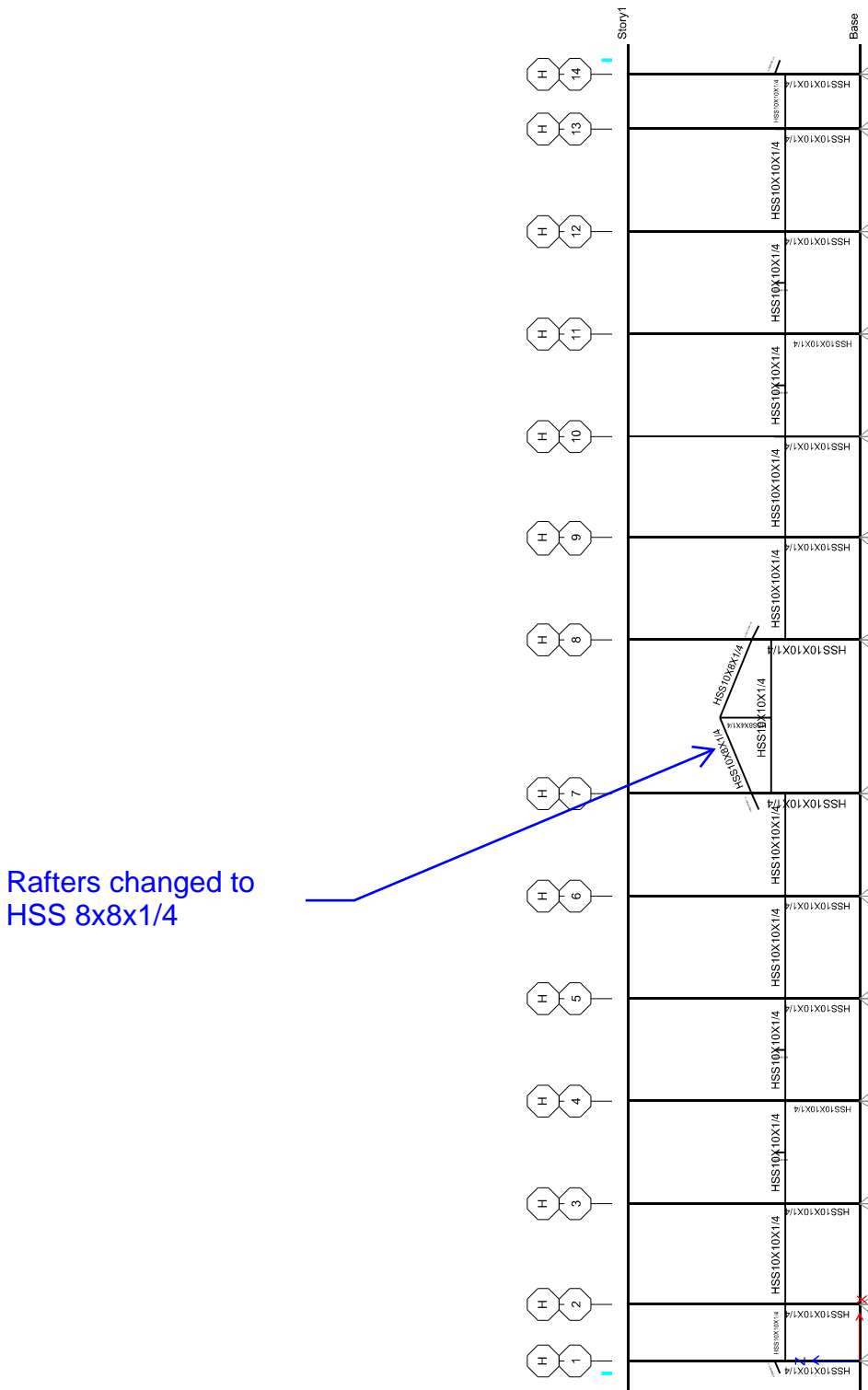


Beams changed to HSS 10x10x3/8

Rafters changed to HSS 8x8x1/4



LINE SECTIONS



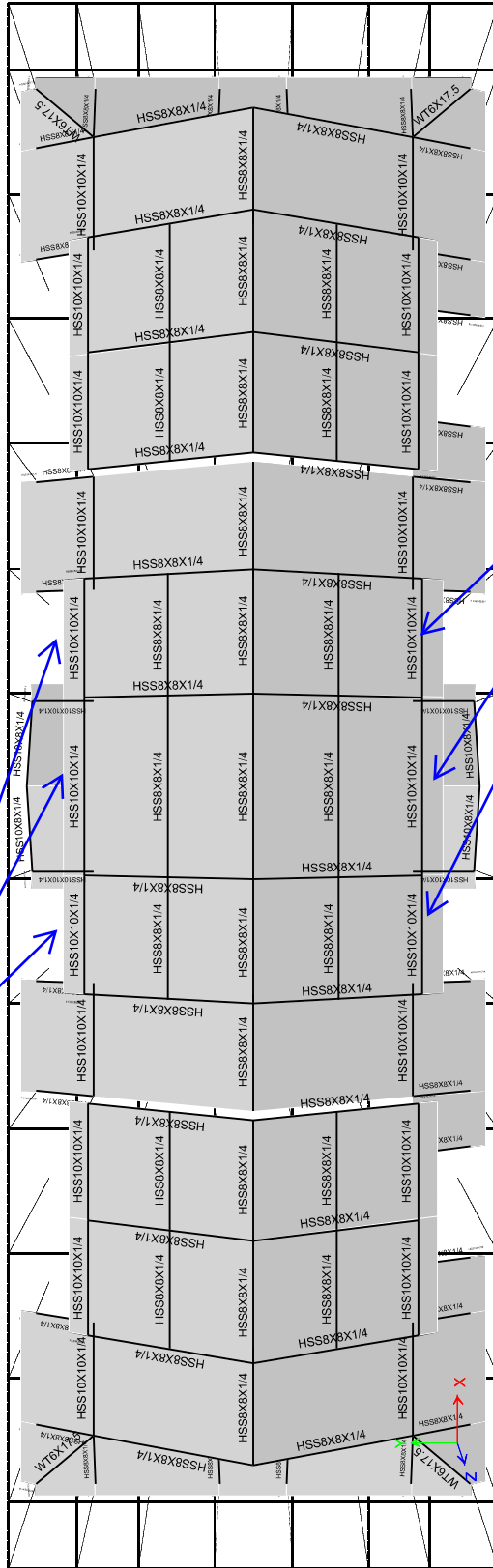
Rafters changed to HSS 8x8x1/4

LINE SECTIONS

SR55

11/16/2021

ETABS 18.1.1



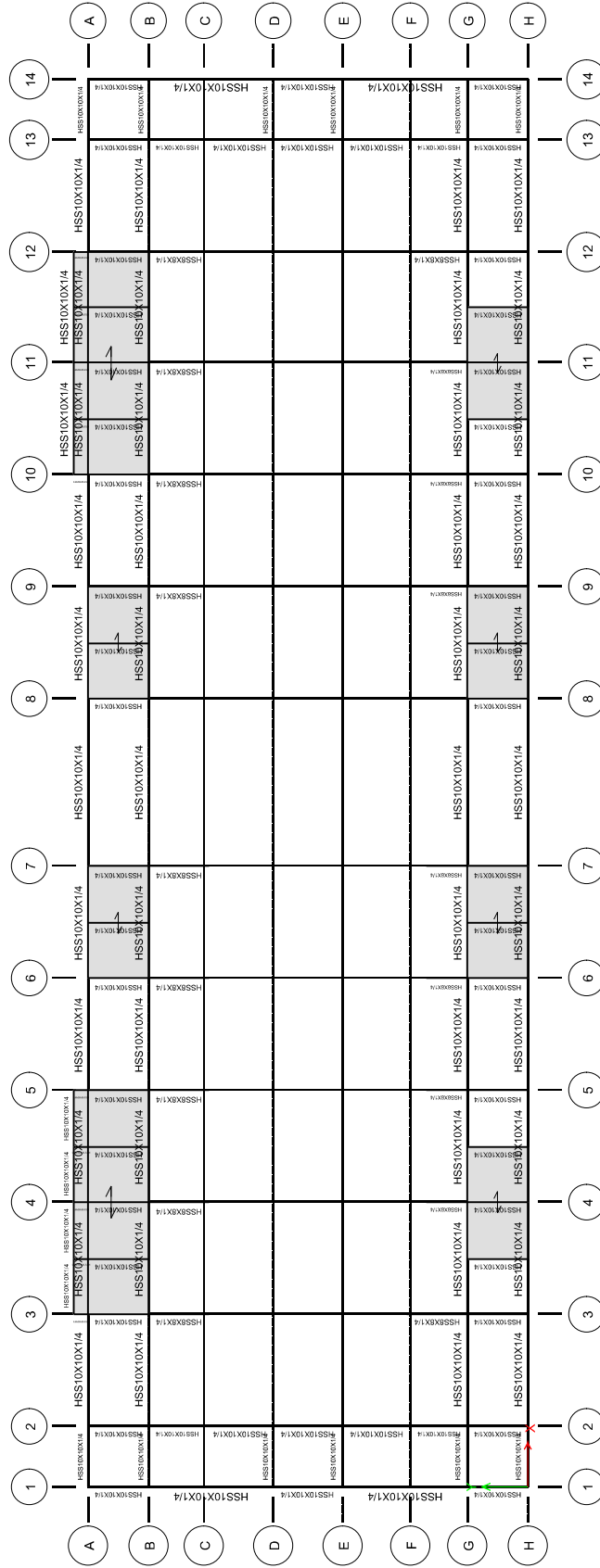
HSS 10x10x3/8

HSS 10x10x3/8

3-D View of Story1 Groups

19-005 Struct Model.EDB

LINE SECTIONS



1 Structure Data

This chapter provides model geometry information, including items such as story levels, point coordinates, and element connectivity.

1.1 Mass

Table 1.1 - Mass Source Definition

Name	Is Default	Include Lateral Mass?	Include Vertical Mass?	Lump Mass?	Source Self Mass?	Source Added Mass?	Source Load Patterns?	Move Mass Centroid?	Load Pattern	Multiplier
MsSrc1	Yes	Yes	No	Yes	Yes	Yes	Yes	No	SDL	1

Table 1.2 - Mass Summary by Story

Story	UX lb-s2/ft	UY lb-s2/ft	UZ lb-s2/ft
Story1	11853	11853	0
Base	11074.82	11074.82	0

Table 1.3 - Mass Summary by Group

Group	Self Mass lb-s2/ft	Self Weight kip	Mass X lb-s2/ft	Mass Y lb-s2/ft	Mass Z lb-s2/ft
All	7154.99	0	22927.82	22927.82	0
High Roof Framing	2880.1	0	12260.63	12260.63	0

1.2 Groups

Table 1.4 - Group Definitions

Name	Color	Steel Design?	Concrete Design?	Composite Design?
All	Yellow	No	No	No
High Roof Framing	Red	No	No	No

Table 1.5 - Group Assignments

Group Name	Object Type	Object Unique Name
High Roof Framing	Line	141
High Roof Framing	Line	142
High Roof Framing	Line	144
High Roof Framing	Line	145
High Roof Framing	Line	107
High Roof Framing	Line	119
High Roof Framing	Line	14
High Roof Framing	Line	16
High Roof Framing	Line	1
High Roof Framing	Line	2
High Roof Framing	Line	3
High Roof Framing	Line	4

Table 1.5 - Group Assignments (continued)

Group Name	Object Type	Object Unique Name
High Roof Framing	Line	5
High Roof Framing	Line	7
High Roof Framing	Line	8
High Roof Framing	Line	120
High Roof Framing	Line	121
High Roof Framing	Line	6
High Roof Framing	Line	129
High Roof Framing	Line	130
High Roof Framing	Line	133
High Roof Framing	Line	136
High Roof Framing	Line	146
High Roof Framing	Line	147
High Roof Framing	Line	22
High Roof Framing	Line	23
High Roof Framing	Line	49
High Roof Framing	Line	50
High Roof Framing	Line	51
High Roof Framing	Line	52
High Roof Framing	Line	55
High Roof Framing	Line	56
High Roof Framing	Line	82
High Roof Framing	Line	83
High Roof Framing	Line	84
High Roof Framing	Line	85
High Roof Framing	Line	195
High Roof Framing	Line	196
High Roof Framing	Line	245
High Roof Framing	Line	246
High Roof Framing	Line	261
High Roof Framing	Line	262
High Roof Framing	Line	267
High Roof Framing	Line	268
High Roof Framing	Line	283
High Roof Framing	Line	284
High Roof Framing	Line	288
High Roof Framing	Line	289
High Roof Framing	Line	290
High Roof Framing	Line	291
High Roof Framing	Line	319
High Roof Framing	Line	320
High Roof Framing	Line	338
High Roof Framing	Line	339
High Roof Framing	Line	340
High Roof Framing	Line	341

Table 1.5 - Group Assignments (continued)

Group Name	Object Type	Object Unique Name
High Roof Framing	Line	344
High Roof Framing	Line	345
High Roof Framing	Line	371
High Roof Framing	Line	372
High Roof Framing	Line	400
High Roof Framing	Line	401
High Roof Framing	Line	402
High Roof Framing	Line	403
High Roof Framing	Line	406
High Roof Framing	Line	407
High Roof Framing	Line	441
High Roof Framing	Line	442
High Roof Framing	Line	443
High Roof Framing	Line	444
High Roof Framing	Line	447
High Roof Framing	Line	448
High Roof Framing	Line	469
High Roof Framing	Line	470
High Roof Framing	Line	482
High Roof Framing	Line	483
High Roof Framing	Line	484
High Roof Framing	Line	485
High Roof Framing	Line	486
High Roof Framing	Line	487
High Roof Framing	Line	488
High Roof Framing	Line	489
High Roof Framing	Line	490
High Roof Framing	Line	491
High Roof Framing	Line	527
High Roof Framing	Line	528
High Roof Framing	Line	529
High Roof Framing	Line	530
High Roof Framing	Line	531
High Roof Framing	Line	509
High Roof Framing	Line	512
High Roof Framing	Line	520
High Roof Framing	Line	535
High Roof Framing	Line	516
High Roof Framing	Line	518
High Roof Framing	Line	521
High Roof Framing	Line	532
High Roof Framing	Line	544
High Roof Framing	Line	546
High Roof Framing	Line	551

Table 1.5 - Group Assignments (continued)

Group Name	Object Type	Object Unique Name
High Roof Framing	Line	552
High Roof Framing	Line	553
High Roof Framing	Line	554
High Roof Framing	Line	555
High Roof Framing	Line	556
High Roof Framing	Line	557
High Roof Framing	Line	558
High Roof Framing	Line	559
High Roof Framing	Line	560
High Roof Framing	Line	561
High Roof Framing	Line	562
High Roof Framing	Line	563
High Roof Framing	Line	564
High Roof Framing	Line	565
High Roof Framing	Line	566
High Roof Framing	Line	567
High Roof Framing	Line	568
High Roof Framing	Line	583
High Roof Framing	Line	584
High Roof Framing	Line	585
High Roof Framing	Line	586
High Roof Framing	Line	587
High Roof Framing	Line	596
High Roof Framing	Line	597
High Roof Framing	Line	598
High Roof Framing	Line	599
High Roof Framing	Line	607
High Roof Framing	Line	608
High Roof Framing	Line	611
High Roof Framing	Line	612
High Roof Framing	Line	628
High Roof Framing	Line	629
High Roof Framing	Line	630
High Roof Framing	Line	631
High Roof Framing	Line	632
High Roof Framing	Line	634
High Roof Framing	Line	635
High Roof Framing	Line	636
High Roof Framing	Line	650
High Roof Framing	Line	652
High Roof Framing	Line	653
High Roof Framing	Line	654
High Roof Framing	Line	656
High Roof Framing	Line	657

Table 1.5 - Group Assignments (continued)

Group Name	Object Type	Object Unique Name
High Roof Framing	Line	658
High Roof Framing	Line	659
High Roof Framing	Line	660
High Roof Framing	Line	661
High Roof Framing	Line	663
High Roof Framing	Line	664
High Roof Framing	Line	665
High Roof Framing	Line	666
High Roof Framing	Line	667
High Roof Framing	Line	633
High Roof Framing	Line	639
High Roof Framing	Line	640
High Roof Framing	Line	641
High Roof Framing	Line	642
High Roof Framing	Line	662
High Roof Framing	Line	668
High Roof Framing	Line	669
High Roof Framing	Line	670
High Roof Framing	Line	671
High Roof Framing	Line	672
High Roof Framing	Line	683
High Roof Framing	Line	684
High Roof Framing	Line	644
High Roof Framing	Line	645
High Roof Framing	Line	523
High Roof Framing	Line	525
High Roof Framing	Line	579
High Roof Framing	Line	580
High Roof Framing	Line	242
High Roof Framing	Line	243
High Roof Framing	Line	113
High Roof Framing	Line	674
High Roof Framing	Line	678
High Roof Framing	Line	692
High Roof Framing	Line	696
High Roof Framing	Area	4
High Roof Framing	Area	9
High Roof Framing	Area	8
High Roof Framing	Area	14
High Roof Framing	Area	16
High Roof Framing	Area	22
High Roof Framing	Area	25
High Roof Framing	Area	26
High Roof Framing	Area	29

Table 1.5 - Group Assignments (continued)

Group Name	Object Type	Object Unique Name
High Roof Framing	Area	24
High Roof Framing	Area	31
High Roof Framing	Area	35
High Roof Framing	Area	38
High Roof Framing	Area	20
High Roof Framing	Area	32
High Roof Framing	Area	18
High Roof Framing	Area	19
High Roof Framing	Area	39
High Roof Framing	Area	40
High Roof Framing	Area	3
High Roof Framing	Area	37
High Roof Framing	Area	42
High Roof Framing	Area	43
High Roof Framing	Area	1
High Roof Framing	Area	33
High Roof Framing	Area	46
High Roof Framing	Area	47
High Roof Framing	Area	5
High Roof Framing	Area	45
High Roof Framing	Area	36
High Roof Framing	Area	48
High Roof Framing	Area	49
High Roof Framing	Area	50
High Roof Framing	Area	51
High Roof Framing	Area	52
High Roof Framing	Area	53
High Roof Framing	Area	54
High Roof Framing	Area	55
High Roof Framing	Area	56
High Roof Framing	Area	57
High Roof Framing	Area	58
High Roof Framing	Area	59
High Roof Framing	Area	60
High Roof Framing	Area	61
High Roof Framing	Area	63
High Roof Framing	Area	64
High Roof Framing	Area	67
High Roof Framing	Area	68
High Roof Framing	Area	6
High Roof Framing	Area	11
High Roof Framing	Area	13
High Roof Framing	Area	15

2 Properties

This chapter provides property information for materials, frame sections, shell sections, and links.

2.1 Materials

Table 2.1 - Material Properties - General

Material	Type	SymType	Grade	Color	Notes
4000Psi	Concrete	Isotropic	f _c 4000 psi	Gray8Dark	
A416Gr270	Tendon	Uniaxial	Grade 270	Green	
A500GrB46	Steel	Isotropic	Grade B, Fy 46 (HSS Rect.)	Magenta	
A615Gr60	Rebar	Uniaxial	Grade 60	Blue	
A992Fy50	Steel	Isotropic	Grade 50	Yellow	
MAT	Other	Isotropic	Unknown	White	

2.2 Frame Sections

Table 2.2 - Frame Section Property Definitions - Summary (Part 1 of 3)

Name	Material	Shape	Color	Area in ²	J in ⁴	I ₃₃ in ⁴	I ₂₂ in ⁴	As ₂ in ²	As ₃ in ²	S ₃₃ Pos in ³
HSS10X10X1/2	A500GrB46	Steel Tube	Cyan	17.2	412	256	256	9.3	9.3	51.2
HSS10X10X1/4	A500GrB46	Steel Tube	Cyan	8.96	220	141	141	4.66	4.66	28.2
HSS10X10X3/8	A500GrB46	Steel Tube	Blue	13.2	320	202	202	6.98	6.98	40.4
HSS10X10X5/8	A500GrB46	Steel Tube	Gray8Dark	21	498	304	304	11.62	11.62	60.8
HSS10X8X1/4	A500GrB46	Steel Tube	Red	8.03	155	119	84.7	4.66	3.73	23.8
HSS6X4X1/4	A500GrB46	Steel Tube	Red	4.3	23.6	20.9	11.1	2.8	1.86	6.97
HSS8X8X1/4	A500GrB46	Steel Tube	Yellow	7.1	111	70.7	70.7	3.73	3.73	17.68
WT6X17.5	A992Fy50	Steel Tee	Magenta	5.17	0.37	16	12.2	1.88	2.84	12.31

Table 2.2 - Frame Section Property Definitions - Summary (Part 2 of 3)

Name	S ₃₃ Neg in ³	S ₂₂ Pos in ³	S ₂₂ Neg in ³	Z ₃₃ in ³	Z ₂₂ in ³	R ₃₃ in	R ₂₂ in	C _w in ⁶	Fillet Radius in	CG Offset 3 in	CG Offset 2 in
HSS10X10X1/2	51.2	51.2	51.2	60.7	60.7	3.8579	3.8579			0	0
HSS10X10X1/4	28.2	28.2	28.2	32.7	32.7	3.9669	3.9669			0	0
HSS10X10X3/8	40.4	40.4	40.4	47.2	47.2	3.9119	3.9119			0	0
HSS10X10X5/8	60.8	60.8	60.8	73.2	73.2	3.8048	3.8048			0	0
HSS10X8X1/4	23.8	21.18	21.18	28.1	24.2	3.8496	3.2478			0	0
HSS6X4X1/4	6.97	5.55	5.55	8.53	6.45	2.2046	1.6067			0	0
HSS8X8X1/4	17.68	17.68	17.68	20.5	20.5	3.1556	3.1556			0	0
WT6X17.5	3.23	3.72	3.72	5.71	5.73	1.7592	1.5362	0.44	0.3	0	1.825

Table 2.2 - Frame Section Property Definitions - Summary (Part 3 of 3)

Name	PNA Offset 2 in	SC Offset 3 in	SC Offset 2 in	Area Modifier	As2 Modifier	As3 Modifier	J Modifier	I33 Modifier	I22 Modifier	Mass Modifier
HSS10X10X1/2	0			1	1	1	1	1	1	1
HSS10X10X1/4	0			1	1	1	1	1	1	1
HSS10X10X3/8	0			1	1	1	1	1	1	1
HSS10X10X5/8	0			1	1	1	1	1	1	1
HSS10X8X1/4	0			1	1	1	1	1	1	1
HSS6X4X1/4	0			1	1	1	1	1	1	1
HSS8X8X1/4	0.0002			1	1	1	1	1	1	1
WT6X17.5	2.7306	0	2.8617	1	1	1	1	1	1	1

2.3 Shell Sections

Table 2.3 - Area Section Property Definitions - Summary

Name	Type	Element Type	Material	Total Thickness in	Deck Material	Deck Depth in
Deck1	Deck	Membrane	Not Applicable	3	A992Fy50	3
Deck2	Deck	Membrane	Not Applicable	1.5	A992Fy50	1.5
Plank1	Slab	Membrane	MAT	8		
Slab1	Slab	Membrane	4000Psi	8		
Wall1	Wall	Shell-Thin	4000Psi	8		

3 Assignments

This chapter provides a listing of the assignments applied to the model.

3.1 Frame Assignments

Table 3.1 - Frame Assignments - Summary

Story	Label	UniqueName	Design Type	Length in	Analysis Section	Design Section	Axis Angle deg	Max Station Spacing in	Min Number Stations	Releases
Story1	B1	114	Beam	104	HSS10X10X1/4	HSS10X10X1/4		24		
Story1	B2	588	Beam	192	HSS10X10X1/4	HSS10X10X1/4		24		
Story1	B3	595	Beam	192	HSS10X10X1/4	HSS10X10X1/4		24		
Story1	B4	590	Beam	192	HSS10X10X1/4	HSS10X10X1/4		24		
Story1	B5	592	Beam	192	HSS10X10X1/4	HSS10X10X1/4		24		
Story1	B6	603	Beam	192	HSS10X10X1/4	HSS10X10X1/4		24		
Story1	B8	615	Beam	192	HSS10X10X1/4	HSS10X10X1/4		24		
Story1	B9	618	Beam	192	HSS10X10X1/4	HSS10X10X1/4		24		
Story1	B10	620	Beam	192	HSS10X10X1/4	HSS10X10X1/4		24		
Story1	B11	622	Beam	192	HSS10X10X1/4	HSS10X10X1/4		24		
Story1	B12	624	Beam	192	HSS10X10X1/4	HSS10X10X1/4		24		
Story1	B13	495	Beam	104	HSS10X10X1/4	HSS10X10X1/4		24		
Story1	B14	102	Beam	104	HSS10X10X1/4	HSS10X10X1/4		24		
Story1	B15	668	Beam	153.329	WT6X17.5	WT6X17.5			3	
Story1	B16	9	Beam	104	HSS10X10X1/4	HSS10X10X1/4		24		
Story1	B17	171	Beam	104	HSS10X10X1/4	HSS10X10X1/4		24		
Story1	B18	601	Beam	104	HSS10X10X1/4	HSS10X10X1/4		24		
Story1	B19	38	Beam	104	HSS10X10X1/4	HSS10X10X1/4		24		
Story1	B20	600	Beam	104	HSS10X10X1/4	HSS10X10X1/4		24		
Story1	B21	71	Beam	104	HSS10X10X1/4	HSS10X10X1/4		24		
Story1	B22	184	Beam	104	HSS10X10X1/4	HSS10X10X1/4		24		
Story1	B23	614	Beam	104	HSS10X10X1/4	HSS10X10X1/4		24		Yes
Story1	B24	236	Beam	104	HSS10X10X1/4	HSS10X10X1/4		24		
Story1	B25	261	Beam	104	HSS10X10X1/4	HSS10X10X1/4		24		
Story1	B26	613	Beam	104	HSS8X8X1/4	HSS8X8X1/4		24		
Story1	B27	230	Beam	104	HSS10X10X1/4	HSS10X10X1/4		24		
Story1	B28	283	Beam	104	HSS10X10X1/4	HSS10X10X1/4		24		
Story1	B29	617	Beam	104	HSS10X10X1/4	HSS10X10X1/4		24		Yes
Story1	B30	310	Beam	104	HSS10X10X1/4	HSS10X10X1/4		24		
Story1	B31	360	Beam	104	HSS10X10X1/4	HSS10X10X1/4		24		
Story1	B32	626	Beam	104	HSS10X10X1/4	HSS10X10X1/4		24		
Story1	B33	387	Beam	104	HSS10X10X1/4	HSS10X10X1/4		24		
Story1	B34	627	Beam	104	HSS10X10X1/4	HSS10X10X1/4		24		
Story1	B35	422	Beam	104	HSS10X10X1/4	HSS10X10X1/4		24		
Story1	B36	463	Beam	104	HSS10X10X1/4	HSS10X10X1/4		24		
Story1	B37	670	Beam	153.329	WT6X17.5	WT6X17.5			3	
Story1	B38	474	Beam	104	HSS10X10X1/4	HSS10X10X1/4		24		
Story1	B39	498	Beam	104	HSS10X10X1/4	HSS10X10X1/4		24		
Story1	B40	589	Beam	192	HSS10X10X1/4	HSS10X10X1/4		24		

Table 3.1 - Frame Assignments - Summary (continued)

Story	Label	UniqueName	Design Type	Length in	Analysis Section	Design Section	Axis Angle deg	Max Station Spacing in	Min Number Stations	Releases
Story1	B41	597	Beam	192	HSS10X10X1/4	HSS10X10X1/4		24		
Story1	B42	594	Beam	192	HSS10X10X1/4	HSS10X10X1/4		24		
Story1	B43	598	Beam	192	HSS10X10X1/4	HSS10X10X1/4		24		
Story1	B44	591	Beam	192	HSS10X10X1/4	HSS10X10X1/4		24		
Story1	B45	599	Beam	192	HSS10X10X1/4	HSS10X10X1/4		24		
Story1	B46	593	Beam	192	HSS10X10X1/4	HSS10X10X1/4		24		
Story1	B47	596	Beam	192	HSS10X10X1/4	HSS10X10X1/4		24		
Story1	B48	604	Beam	192	HSS10X10X1/4	HSS10X10X1/4		24		
Story1	B49	242	Beam	192	HSS10X10X3/8	HSS10X10X3/8		24		Yes
Story1	B51	113	Beam	288	HSS10X10X3/8	HSS10X10X3/8		24		
Story1	B52	616	Beam	192	HSS10X10X1/4	HSS10X10X1/4		24		
Story1	B53	628	Beam	192	HSS10X10X3/8	HSS10X10X3/8		24		Yes
Story1	B54	619	Beam	192	HSS10X10X1/4	HSS10X10X1/4		24		
Story1	B55	629	Beam	192	HSS10X10X1/4	HSS10X10X1/4		24		
Story1	B56	621	Beam	192	HSS10X10X1/4	HSS10X10X1/4		24		
Story1	B57	630	Beam	192	HSS10X10X1/4	HSS10X10X1/4		24		
Story1	B58	623	Beam	192	HSS10X10X1/4	HSS10X10X1/4		24		
Story1	B59	631	Beam	192	HSS10X10X1/4	HSS10X10X1/4		24		
Story1	B60	625	Beam	192	HSS10X10X1/4	HSS10X10X1/4		24		
Story1	B61	632	Beam	192	HSS10X10X1/4	HSS10X10X1/4		24		
Story1	B62	572	Beam	104	HSS10X10X1/4	HSS10X10X1/4		24		
Story1	B71	10	Beam	96	HSS10X10X1/4	HSS10X10X1/4		24		
Story1	B72	464	Beam	96	HSS10X10X1/4	HSS10X10X1/4		24		
Story1	B75	98	Beam	214	HSS10X10X1/4	HSS10X10X1/4		24		
Story1	B76	471	Beam	214	HSS10X10X1/4	HSS10X10X1/4		24		
Story1	B77	674	Beam	192	HSS8X8X1/4	HSS8X8X1/4		24		Yes
Story1	B78	652	Beam	192	HSS8X8X1/4	HSS8X8X1/4		24		Yes
Story1	B79	660	Beam	192	HSS8X8X1/4	HSS8X8X1/4		24		Yes
Story1	B80	663	Beam	288	HSS8X8X1/4	HSS8X8X1/4		24		Yes
Story1	B81	666	Beam	192	HSS8X8X1/4	HSS8X8X1/4		24		Yes
Story1	B82	696	Beam	192	HSS8X8X1/4	HSS8X8X1/4		24		Yes
Story1	B83	641	Beam	192	HSS8X8X1/4	HSS8X8X1/4		24		Yes
Story1	B84	115	Beam	118	HSS10X10X1/4	HSS10X10X1/4		24		
Story1	B85	436	Beam	118	HSS10X10X1/4	HSS10X10X1/4		24		
Story1	B86	500	Beam	104	HSS10X10X1/4	HSS10X10X1/4		24		
Story1	B87	571	Beam	104	HSS10X10X1/4	HSS10X10X1/4		24		
Story1	B88	99	Beam	118	HSS10X10X1/4	HSS10X10X1/4		24		
Story1	B89	116	Beam	118	HSS10X10X1/4	HSS10X10X1/4		24		
Story1	B90	650	Beam	192	HSS8X8X1/4	HSS8X8X1/4		24		Yes
Story1	B91	653	Beam	192	HSS8X8X1/4	HSS8X8X1/4		24		Yes
Story1	B92	654	Beam	192	HSS8X8X1/4	HSS8X8X1/4		24		Yes
Story1	B93	657	Beam	192	HSS8X8X1/4	HSS8X8X1/4		24		Yes
Story1	B94	659	Beam	192	HSS8X8X1/4	HSS8X8X1/4		24		Yes
Story1	B95	671	Beam	288	HSS8X8X1/4	HSS8X8X1/4		24		Yes

Table 3.1 - Frame Assignments - Summary (continued)

Story	Label	UniqueName	Design Type	Length in	Analysis Section	Design Section	Axis Angle deg	Max Station Spacing in	Min Number Stations	Releases
Story1	B96	665	Beam	192	HSS8X8X1/4	HSS8X8X1/4		24		Yes
Story1	B97	667	Beam	192	HSS8X8X1/4	HSS8X8X1/4			3	Yes
Story1	B98	633	Beam	192	HSS8X8X1/4	HSS8X8X1/4		24		Yes
Story1	B99	640	Beam	192	HSS8X8X1/4	HSS8X8X1/4		24		Yes
Story1	B100	642	Beam	192	HSS8X8X1/4	HSS8X8X1/4		24		Yes
Story1	B101	437	Beam	118	HSS10X10X1/4	HSS10X10X1/4		24		
Story1	B102	472	Beam	118	HSS10X10X1/4	HSS10X10X1/4		24		
Story1	B103	499	Beam	104	HSS10X10X1/4	HSS10X10X1/4		24		
Story1	B104	570	Beam	104	HSS10X10X1/4	HSS10X10X1/4		24		
Story1	B105	117	Beam	118	HSS10X10X1/4	HSS10X10X1/4		24		
Story1	B106	438	Beam	118	HSS10X10X1/4	HSS10X10X1/4		24		
Story1	B107	678	Beam	192	HSS8X8X1/4	HSS8X8X1/4		24		Yes
Story1	B108	656	Beam	192	HSS8X8X1/4	HSS8X8X1/4		24		Yes
Story1	B109	658	Beam	192	HSS8X8X1/4	HSS8X8X1/4		24		Yes
Story1	B110	661	Beam	288	HSS8X8X1/4	HSS8X8X1/4		24		Yes
Story1	B111	664	Beam	192	HSS8X8X1/4	HSS8X8X1/4		24		Yes
Story1	B112	692	Beam	192	HSS8X8X1/4	HSS8X8X1/4		24		Yes
Story1	B113	639	Beam	192	HSS8X8X1/4	HSS8X8X1/4		24		Yes
Story1	B114	100	Beam	214	HSS10X10X1/4	HSS10X10X1/4		24		
Story1	B115	473	Beam	214	HSS10X10X1/4	HSS10X10X1/4		24		
Story1	B126	11	Beam	96	HSS10X10X1/4	HSS10X10X1/4		24		
Story1	B127	465	Beam	96	HSS10X10X1/4	HSS10X10X1/4		24		
Story1	B128	497	Beam	104	HSS10X10X1/4	HSS10X10X1/4		24		
Story1	B129	496	Beam	192	HSS10X10X1/4	HSS10X10X1/4		24		
Story1	B130	528	Beam	192	HSS10X10X1/4	HSS10X10X1/4		24		
Story1	B131	513	Beam	192	HSS10X10X1/4	HSS10X10X1/4		24		
Story1	B132	529	Beam	192	HSS10X10X1/4	HSS10X10X1/4		24		
Story1	B133	504	Beam	192	HSS10X10X1/4	HSS10X10X1/4		24		
Story1	B134	530	Beam	192	HSS10X10X1/4	HSS10X10X1/4		24		
Story1	B135	506	Beam	192	HSS10X10X1/4	HSS10X10X1/4		24		
Story1	B136	527	Beam	192	HSS10X10X1/4	HSS10X10X1/4		24		
Story1	B137	508	Beam	192	HSS10X10X1/4	HSS10X10X1/4		24		
Story1	B138	531	Beam	192	HSS10X10X3/8	HSS10X10X3/8		24		Yes
Story1	B140	243	Beam	288	HSS10X10X3/8	HSS10X10X3/8		24		
Story1	B141	539	Beam	192	HSS10X10X1/4	HSS10X10X1/4		24		
Story1	B142	583	Beam	192	HSS10X10X3/8	HSS10X10X3/8		24		Yes
Story1	B143	542	Beam	192	HSS10X10X1/4	HSS10X10X1/4		24		
Story1	B144	584	Beam	192	HSS10X10X1/4	HSS10X10X1/4		24		
Story1	B145	545	Beam	192	HSS10X10X1/4	HSS10X10X1/4		24		
Story1	B146	585	Beam	192	HSS10X10X1/4	HSS10X10X1/4		24		
Story1	B147	548	Beam	192	HSS10X10X1/4	HSS10X10X1/4		24		
Story1	B148	586	Beam	192	HSS10X10X1/4	HSS10X10X1/4		24		
Story1	B149	550	Beam	192	HSS10X10X1/4	HSS10X10X1/4		24		
Story1	B150	587	Beam	192	HSS10X10X1/4	HSS10X10X1/4		24		

Table 3.1 - Frame Assignments - Summary (continued)

Story	Label	UniqueName	Design Type	Length in	Analysis Section	Design Section	Axis Angle deg	Max Station Spacing in	Min Number Stations	Releases
Story1	B151	569	Beam	104	HSS10X10X1/4	HSS10X10X1/4		24		
Story1	B152	109	Beam	104	HSS10X10X1/4	HSS10X10X1/4		24		
Story1	B153	662	Beam	153.329	WT6X17.5	WT6X17.5			3	
Story1	B154	12	Beam	104	HSS10X10X1/4	HSS10X10X1/4		24		
Story1	B155	174	Beam	104	HSS10X10X1/4	HSS10X10X1/4		24		
Story1	B156	537	Beam	104	HSS10X10X1/4	HSS10X10X1/4		24		
Story1	B157	39	Beam	104	HSS10X10X1/4	HSS10X10X1/4		24		
Story1	B158	536	Beam	104	HSS10X10X1/4	HSS10X10X1/4		24		
Story1	B159	72	Beam	104	HSS10X10X1/4	HSS10X10X1/4		24		
Story1	B160	185	Beam	104	HSS10X10X1/4	HSS10X10X1/4		24		
Story1	B161	534	Beam	104	HSS10X10X1/4	HSS10X10X1/4		24		Yes
Story1	B162	237	Beam	104	HSS10X10X1/4	HSS10X10X1/4		24		
Story1	B163	262	Beam	104	HSS10X10X1/4	HSS10X10X1/4		24		
Story1	B164	533	Beam	104	HSS8X8X1/4	HSS8X8X1/4		24		
Story1	B165	231	Beam	104	HSS10X10X1/4	HSS10X10X1/4		24		
Story1	B166	284	Beam	104	HSS10X10X1/4	HSS10X10X1/4		24		
Story1	B167	540	Beam	104	HSS10X10X1/4	HSS10X10X1/4		24		Yes
Story1	B168	311	Beam	104	HSS10X10X1/4	HSS10X10X1/4		24		
Story1	B169	361	Beam	104	HSS10X10X1/4	HSS10X10X1/4		24		
Story1	B170	581	Beam	104	HSS10X10X1/4	HSS10X10X1/4		24		
Story1	B171	388	Beam	104	HSS10X10X1/4	HSS10X10X1/4		24		
Story1	B172	582	Beam	104	HSS10X10X1/4	HSS10X10X1/4		24		
Story1	B173	423	Beam	104	HSS10X10X1/4	HSS10X10X1/4		24		
Story1	B174	466	Beam	104	HSS10X10X1/4	HSS10X10X1/4		24		
Story1	B175	669	Beam	153.329	WT6X17.5	WT6X17.5			3	
Story1	B176	475	Beam	104	HSS10X10X1/4	HSS10X10X1/4		24		
Story1	B177	111	Beam	104	HSS10X10X1/4	HSS10X10X1/4		24		
Story1	B178	430	Beam	192	HSS10X10X1/4	HSS10X10X1/4		24		
Story1	B179	519	Beam	192	HSS10X10X1/4	HSS10X10X1/4		24		
Story1	B180	503	Beam	192	HSS10X10X1/4	HSS10X10X1/4		24		
Story1	B181	505	Beam	192	HSS10X10X1/4	HSS10X10X1/4		24		
Story1	B182	507	Beam	192	HSS10X10X1/4	HSS10X10X1/4		24		
Story1	B184	538	Beam	192	HSS10X10X1/4	HSS10X10X1/4		24		
Story1	B185	541	Beam	192	HSS10X10X1/4	HSS10X10X1/4		24		
Story1	B186	543	Beam	192	HSS10X10X1/4	HSS10X10X1/4		24		
Story1	B187	547	Beam	192	HSS10X10X1/4	HSS10X10X1/4		24		
Story1	B188	549	Beam	192	HSS10X10X1/4	HSS10X10X1/4		24		
Story1	B189	494	Beam	104	HSS10X10X1/4	HSS10X10X1/4		24		
Story1	B190	694	Beam	24	HSS10X10X1/4	HSS10X10X1/4		24		
Story1	B191	649	Beam	24	HSS10X10X1/4	HSS10X10X1/4		24		
Story1	B192	693	Beam	24	HSS10X10X1/4	HSS10X10X1/4		24		
Story1	B193	647	Beam	24	HSS10X10X1/4	HSS10X10X1/4		24		
Story1	B194	688	Beam	24	HSS10X10X1/4	HSS10X10X1/4		24		
Story1	B195	524	Beam	24	HSS10X10X1/4	HSS10X10X1/4		24		

Table 3.1 - Frame Assignments - Summary (continued)

Story	Label	UniqueName	Design Type	Length in	Analysis Section	Design Section	Axis Angle deg	Max Station Spacing in	Min Number Stations	Releases
Story1	B196	577	Beam	24	HSS10X10X1/4	HSS10X10X1/4		24		
Story1	B197	573	Beam	24	HSS10X10X1/4	HSS10X10X1/4		24		
Story1	B198	578	Beam	24	HSS10X10X1/4	HSS10X10X1/4		24		
Story1	B199	575	Beam	24	HSS10X10X1/4	HSS10X10X1/4		24		
Story1	B200	643	Beam	96	HSS10X10X1/4	HSS10X10X1/4		24		
Story1	B201	646	Beam	96	HSS10X10X1/4	HSS10X10X1/4		24		
Story1	B202	526	Beam	96	HSS10X10X1/4	HSS10X10X1/4		24		
Story1	B203	637	Beam	96	HSS10X10X1/4	HSS10X10X1/4		24		
Story1	B204	510	Beam	192	HSS10X10X1/4	HSS10X10X1/4		24		
Story1	B205	511	Beam	192	HSS10X10X1/4	HSS10X10X1/4		24		
Story1	B219	501	Beam	288	HSS10X10X1/4	HSS10X10X1/4		24		
Story1	B220	605	Beam	288	HSS10X10X1/4	HSS10X10X1/4		24		
Story1	B50	514	Beam	288	HSS10X10X1/4	HSS10X10X1/4		24		
Story1	B63	609	Beam	288	HSS10X10X1/4	HSS10X10X1/4		24		
Story1	B7	179	Beam	102.5	HSS8X8X1/4	HSS8X8X1/4		24		
Story1	B64	182	Beam	102.5	HSS8X8X1/4	HSS8X8X1/4		24		
Story1	B65	42	Beam	70.5	HSS8X8X1/4	HSS8X8X1/4		24		
Story1	B66	43	Beam	102.5	HSS8X8X1/4	HSS8X8X1/4		24		
Story1	B67	75	Beam	70.5	HSS8X8X1/4	HSS8X8X1/4		24		
Story1	B68	76	Beam	102.5	HSS8X8X1/4	HSS8X8X1/4		24		
Story1	B69	190	Beam	70.5	HSS8X8X1/4	HSS8X8X1/4		24		
Story1	B70	191	Beam	102.5	HSS8X8X1/4	HSS8X8X1/4		24		
Story1	B73	240	Beam	70.5	HSS8X8X1/4	HSS8X8X1/4		24		
Story1	B74	241	Beam	102.5	HSS8X8X1/4	HSS8X8X1/4		24		
Story1	B116	235	Beam	70.5	HSS8X8X1/4	HSS8X8X1/4		24		
Story1	B117	263	Beam	102.5	HSS8X8X1/4	HSS8X8X1/4		24		
Story1	B119	314	Beam	70.5	HSS8X8X1/4	HSS8X8X1/4		24		
Story1	B120	315	Beam	102.5	HSS8X8X1/4	HSS8X8X1/4		24		
Story1	B121	364	Beam	70.5	HSS8X8X1/4	HSS8X8X1/4		24		
Story1	B122	365	Beam	102.5	HSS8X8X1/4	HSS8X8X1/4		24		
Story1	B123	391	Beam	70.5	HSS8X8X1/4	HSS8X8X1/4		24		
Story1	B124	392	Beam	102.5	HSS8X8X1/4	HSS8X8X1/4		24		
Story1	B125	426	Beam	102.5	HSS8X8X1/4	HSS8X8X1/4		24		
Story1	B139	427	Beam	102.5	HSS8X8X1/4	HSS8X8X1/4		24		
Story1	C1	264	Column	157.9167	HSS10X10X1/4	HSS10X10X1/4			3	
Story1	C2	137	Column	157.9167	HSS10X10X1/4	HSS10X10X1/4			3	
Story1	C3	125	Column	157.9167	HSS10X10X1/4	HSS10X10X1/4			3	
Story1	C4	686	Column	17.9167	HSS10X10X1/4	HSS10X10X1/4			3	
Story1	C5	46	Column	140	HSS10X10X1/4	HSS10X10X1/4			3	
Story1	C6	687	Column	17.9167	HSS10X10X1/4	HSS10X10X1/4			3	

Table 3.1 - Frame Assignments - Summary (continued)

Story	Label	UniqueName	Design Type	Length in	Analysis Section	Design Section	Axis Angle deg	Max Station Spacing in	Min Number Stations	Releases
Story1	C7	19	Column	157.9167	HSS10X10X1/4	HSS10X10X1/4			3	
Story1	C8	80	Column	157.9167	HSS10X10X1/4	HSS10X10X1/4			3	
Story1	C9	212	Column	201.25	HSS10X10X1/4	HSS10X10X1/4			3	
Story1	C11	211	Column	201.25	HSS10X10X1/4	HSS10X10X1/4			3	
Story1	C12	286	Column	157.9167	HSS10X10X1/4	HSS10X10X1/4			3	
Story1	C13	336	Column	157.9167	HSS10X10X1/4	HSS10X10X1/4			3	
Story1	C14	648	Column	17.9167	HSS10X10X1/4	HSS10X10X1/4			3	
Story1	C15	395	Column	140	HSS10X10X1/4	HSS10X10X1/4			3	
Story1	C16	574	Column	17.9167	HSS10X10X1/4	HSS10X10X1/4			3	
Story1	C17	398	Column	157.9167	HSS10X10X1/4	HSS10X10X1/4			3	
Story1	C18	439	Column	157.9167	HSS10X10X1/4	HSS10X10X1/4			3	
Story1	C19	476	Column	157.9167	HSS10X10X1/4	HSS10X10X1/4			3	
Story1	C20	118	Column	157.9167	HSS10X10X1/4	HSS10X10X1/4			3	
Story1	C21	13	Column	201.25	HSS10X10X3/8	HSS10X10X3/8			3	
Story1	C22	175	Column	261.25	HSS10X10X3/8	HSS10X10X3/8			3	
Story1	C23	517	Column	121.25	HSS10X10X1/4	HSS10X10X1/4			3	
Story1	C24	40	Column	261.25	HSS10X10X3/8	HSS10X10X3/8			3	
Story1	C25	690	Column	121.25	HSS10X10X1/4	HSS10X10X1/4			3	
Story1	C26	73	Column	261.25	HSS10X10X3/8	HSS10X10X3/8			3	
Story1	C27	186	Column	321.25	HSS10X10X5/8	HSS10X10X5/8			3	
Story1	C28	238	Column	321.25	HSS10X10X3/8	HSS10X10X3/8			3	
Story1	C30	233	Column	321.25	HSS10X10X3/8	HSS10X10X3/8			3	
Story1	C31	312	Column	321.25	HSS10X10X5/8	HSS10X10X5/8			3	
Story1	C32	362	Column	261.25	HSS10X10X3/8	HSS10X10X3/8			3	
Story1	C33	673	Column	121.25	HSS10X10X1/4	HSS10X10X1/4			3	
Story1	C34	389	Column	261.25	HSS10X10X3/8	HSS10X10X3/8			3	
Story1	C35	576	Column	121.25	HSS10X10X1/4	HSS10X10X1/4			3	
Story1	C36	424	Column	261.25	HSS10X10X3/8	HSS10X10X3/8			3	
Story1	C37	467	Column	201.25	HSS10X10X3/8	HSS10X10X3/8			3	
Story1	C38	477	Column	157.9167	HSS10X10X1/4	HSS10X10X1/4			3	
Story1	C39	124	Column	60	HSS6X4X1/4	HSS6X4X1/4			3	Yes
Story1	C40	149	Column	60	HSS6X4X1/4	HSS6X4X1/4			3	Yes
Story1	C42	24	Column	60	HSS6X4X1/4	HSS6X4X1/4			3	Yes
Story1	C44	57	Column	60	HSS6X4X1/4	HSS6X4X1/4			3	Yes
Story1	C46	197	Column	60	HSS6X4X1/4	HSS6X4X1/4			3	Yes

Table 3.1 - Frame Assignments - Summary (continued)

Story	Label	UniqueName	Design Type	Length in	Analysis Section	Design Section	Axis Angle deg	Max Station Spacing in	Min Number Stations	Releases
Story1	C47	90	Column	60	HSS6X4X1/4	HSS6X4X1/4			3	Yes
Story1	C49	247	Column	60	HSS6X4X1/4	HSS6X4X1/4			3	Yes
Story1	C51	269	Column	60	HSS6X4X1/4	HSS6X4X1/4			3	Yes
Story1	C53	321	Column	60	HSS6X4X1/4	HSS6X4X1/4			3	Yes
Story1	C54	296	Column	60	HSS6X4X1/4	HSS6X4X1/4			3	Yes
Story1	C56	346	Column	60	HSS6X4X1/4	HSS6X4X1/4			3	Yes
Story1	C58	373	Column	60	HSS6X4X1/4	HSS6X4X1/4			3	Yes
Story1	C60	408	Column	60	HSS6X4X1/4	HSS6X4X1/4			3	Yes
Story1	C62	449	Column	60	HSS6X4X1/4	HSS6X4X1/4			3	Yes
Story1	C63	103	Column	181.25	HSS10X10X1/4	HSS10X10X1/4			3	
Story1	C64	679	Column	181.25	HSS10X10X1/4	HSS10X10X1/4			3	
Story1	C65	127	Column	60	HSS6X4X1/4	HSS6X4X1/4			3	Yes
Story1	C66	150	Column	60	HSS6X4X1/4	HSS6X4X1/4			3	Yes
Story1	C67	25	Column	60	HSS6X4X1/4	HSS6X4X1/4			3	Yes
Story1	C68	58	Column	60	HSS6X4X1/4	HSS6X4X1/4			3	Yes
Story1	C69	198	Column	60	HSS6X4X1/4	HSS6X4X1/4			3	Yes
Story1	C70	91	Column	60	HSS6X4X1/4	HSS6X4X1/4			3	Yes
Story1	C71	248	Column	60	HSS6X4X1/4	HSS6X4X1/4			3	Yes
Story1	C72	270	Column	60	HSS6X4X1/4	HSS6X4X1/4			3	Yes
Story1	C73	322	Column	60	HSS6X4X1/4	HSS6X4X1/4			3	Yes
Story1	C74	297	Column	60	HSS6X4X1/4	HSS6X4X1/4			3	Yes
Story1	C75	347	Column	60	HSS6X4X1/4	HSS6X4X1/4			3	Yes
Story1	C76	374	Column	60	HSS6X4X1/4	HSS6X4X1/4			3	Yes
Story1	C77	409	Column	60	HSS6X4X1/4	HSS6X4X1/4			3	Yes
Story1	C78	450	Column	60	HSS6X4X1/4	HSS6X4X1/4			3	Yes
Story1	C79	132	Column	60	HSS6X4X1/4	HSS6X4X1/4			3	Yes
Story1	C80	159	Column	60	HSS6X4X1/4	HSS6X4X1/4			3	Yes
Story1	C81	26	Column	60	HSS6X4X1/4	HSS6X4X1/4			3	Yes
Story1	C82	59	Column	60	HSS6X4X1/4	HSS6X4X1/4			3	Yes
Story1	C83	199	Column	60	HSS6X4X1/4	HSS6X4X1/4			3	Yes
Story1	C84	92	Column	60	HSS6X4X1/4	HSS6X4X1/4			3	Yes
Story1	C85	249	Column	60	HSS6X4X1/4	HSS6X4X1/4			3	Yes
Story1	C86	271	Column	60	HSS6X4X1/4	HSS6X4X1/4			3	Yes
Story1	C87	323	Column	60	HSS6X4X1/4	HSS6X4X1/4			3	Yes
Story1	C88	298	Column	60	HSS6X4X1/4	HSS6X4X1/4			3	Yes
Story1	C89	348	Column	60	HSS6X4X1/4	HSS6X4X1/4			3	Yes
Story1	C90	375	Column	60	HSS6X4X1/4	HSS6X4X1/4			3	Yes
Story1	C91	410	Column	60	HSS6X4X1/4	HSS6X4X1/4			3	Yes
Story1	C92	451	Column	60	HSS6X4X1/4	HSS6X4X1/4			3	Yes
Story1	C93	123	Column	157.9167	HSS10X10X1/4	HSS10X10X1/4			3	
Story1	C94	106	Column	230.4167	HSS10X10X1/4	HSS10X10X1/4			3	

Table 3.1 - Frame Assignments - Summary (continued)

Story	Label	UniqueName	Design Type	Length in	Analysis Section	Design Section	Axis Angle deg	Max Station Spacing in	Min Number Stations	Releases
Story1	C95	681	Column	230.4167	HSS10X10X1/4	HSS10X10X1/4			3	
Story1	C96	478	Column	157.9167	HSS10X10X1/4	HSS10X10X1/4			3	
Story1	C97	105	Column	60	HSS6X4X1/4	HSS6X4X1/4			3	Yes
Story1	C98	122	Column	60	HSS6X4X1/4	HSS6X4X1/4			3	Yes
Story1	C99	17	Column	60	HSS6X4X1/4	HSS6X4X1/4			3	Yes
Story1	C100	18	Column	60	HSS6X4X1/4	HSS6X4X1/4			3	Yes
Story1	C101	194	Column	60	HSS6X4X1/4	HSS6X4X1/4			3	Yes
Story1	C102	79	Column	60	HSS6X4X1/4	HSS6X4X1/4			3	Yes
Story1	C103	244	Column	60	HSS6X4X1/4	HSS6X4X1/4			3	Yes
Story1	C104	266	Column	60	HSS6X4X1/4	HSS6X4X1/4			3	Yes
Story1	C105	318	Column	60	HSS6X4X1/4	HSS6X4X1/4			3	Yes
Story1	C106	285	Column	60	HSS6X4X1/4	HSS6X4X1/4			3	Yes
Story1	C107	335	Column	60	HSS6X4X1/4	HSS6X4X1/4			3	Yes
Story1	C108	368	Column	60	HSS6X4X1/4	HSS6X4X1/4			3	Yes
Story1	C109	397	Column	60	HSS6X4X1/4	HSS6X4X1/4			3	Yes
Story1	C110	431	Column	60	HSS6X4X1/4	HSS6X4X1/4			3	Yes
Story1	C111	126	Column	157.9167	HSS10X10X1/4	HSS10X10X1/4			3	
Story1	C112	492	Column	230.4167	HSS10X10X1/4	HSS10X10X1/4			3	
Story1	C113	685	Column	230.4167	HSS10X10X1/4	HSS10X10X1/4			3	
Story1	C114	479	Column	157.9167	HSS10X10X1/4	HSS10X10X1/4			3	
Story1	C115	135	Column	60	HSS6X4X1/4	HSS6X4X1/4			3	Yes
Story1	C116	160	Column	60	HSS6X4X1/4	HSS6X4X1/4			3	Yes
Story1	C117	27	Column	60	HSS6X4X1/4	HSS6X4X1/4			3	Yes
Story1	C118	60	Column	60	HSS6X4X1/4	HSS6X4X1/4			3	Yes
Story1	C119	200	Column	60	HSS6X4X1/4	HSS6X4X1/4			3	Yes
Story1	C120	93	Column	60	HSS6X4X1/4	HSS6X4X1/4			3	Yes
Story1	C121	250	Column	60	HSS6X4X1/4	HSS6X4X1/4			3	Yes
Story1	C122	272	Column	60	HSS6X4X1/4	HSS6X4X1/4			3	Yes
Story1	C123	324	Column	60	HSS6X4X1/4	HSS6X4X1/4			3	Yes
Story1	C124	299	Column	60	HSS6X4X1/4	HSS6X4X1/4			3	Yes
Story1	C125	349	Column	60	HSS6X4X1/4	HSS6X4X1/4			3	Yes
Story1	C126	376	Column	60	HSS6X4X1/4	HSS6X4X1/4			3	Yes
Story1	C127	411	Column	60	HSS6X4X1/4	HSS6X4X1/4			3	Yes
Story1	C128	452	Column	60	HSS6X4X1/4	HSS6X4X1/4			3	Yes
Story1	C129	140	Column	60	HSS6X4X1/4	HSS6X4X1/4			3	Yes
Story1	C130	161	Column	60	HSS6X4X1/4	HSS6X4X1/4			3	Yes
Story1	C131	28	Column	60	HSS6X4X1/4	HSS6X4X1/4			3	Yes
Story1	C132	61	Column	60	HSS6X4X1/4	HSS6X4X1/4			3	Yes

Table 3.1 - Frame Assignments - Summary (continued)

Story	Label	UniqueName	Design Type	Length in	Analysis Section	Design Section	Axis Angle deg	Max Station Spacing in	Min Number Stations	Releases
Story1	C133	201	Column	60	HSS6X4X1/4	HSS6X4X1/4			3	Yes
Story1	C134	94	Column	60	HSS6X4X1/4	HSS6X4X1/4			3	Yes
Story1	C135	251	Column	60	HSS6X4X1/4	HSS6X4X1/4			3	Yes
Story1	C136	273	Column	60	HSS6X4X1/4	HSS6X4X1/4			3	Yes
Story1	C137	325	Column	60	HSS6X4X1/4	HSS6X4X1/4			3	Yes
Story1	C138	300	Column	60	HSS6X4X1/4	HSS6X4X1/4			3	Yes
Story1	C139	350	Column	60	HSS6X4X1/4	HSS6X4X1/4			3	Yes
Story1	C140	377	Column	60	HSS6X4X1/4	HSS6X4X1/4			3	Yes
Story1	C141	412	Column	60	HSS6X4X1/4	HSS6X4X1/4			3	Yes
Story1	C142	453	Column	60	HSS6X4X1/4	HSS6X4X1/4			3	Yes
Story1	C143	522	Column	181.25	HSS10X10X1/4	HSS10X10X1/4			3	
Story1	C144	691	Column	181.25	HSS10X10X1/4	HSS10X10X1/4			3	
Story1	C145	148	Column	60	HSS6X4X1/4	HSS6X4X1/4			3	Yes
Story1	C146	162	Column	60	HSS6X4X1/4	HSS6X4X1/4			3	Yes
Story1	C148	29	Column	60	HSS6X4X1/4	HSS6X4X1/4			3	Yes
Story1	C150	62	Column	60	HSS6X4X1/4	HSS6X4X1/4			3	Yes
Story1	C152	202	Column	60	HSS6X4X1/4	HSS6X4X1/4			3	Yes
Story1	C153	95	Column	60	HSS6X4X1/4	HSS6X4X1/4			3	Yes
Story1	C155	252	Column	60	HSS6X4X1/4	HSS6X4X1/4			3	Yes
Story1	C157	274	Column	60	HSS6X4X1/4	HSS6X4X1/4			3	Yes
Story1	C159	326	Column	60	HSS6X4X1/4	HSS6X4X1/4			3	Yes
Story1	C160	301	Column	60	HSS6X4X1/4	HSS6X4X1/4			3	Yes
Story1	C162	351	Column	60	HSS6X4X1/4	HSS6X4X1/4			3	Yes
Story1	C164	378	Column	60	HSS6X4X1/4	HSS6X4X1/4			3	Yes
Story1	C166	413	Column	60	HSS6X4X1/4	HSS6X4X1/4			3	Yes
Story1	C168	454	Column	60	HSS6X4X1/4	HSS6X4X1/4			3	Yes
Story1	C169	131	Column	157.9167	HSS10X10X1/4	HSS10X10X1/4			3	
Story1	C170	15	Column	201.25	HSS10X10X3/8	HSS10X10X3/8			3	
Story1	C171	176	Column	261.25	HSS10X10X3/8	HSS10X10X3/8			3	
Story1	C172	41	Column	261.25	HSS10X10X3/8	HSS10X10X3/8			3	
Story1	C173	74	Column	261.25	HSS10X10X3/8	HSS10X10X3/8			3	
Story1	C174	189	Column	321.25	HSS10X10X5/8	HSS10X10X5/8			3	
Story1	C175	239	Column	321.25	HSS10X10X3/8	HSS10X10X3/8			3	
Story1	C177	234	Column	321.25	HSS10X10X3/8	HSS10X10X3/8			3	
Story1	C178	313	Column	321.25	HSS10X10X5/8	HSS10X10X5/8			3	
Story1	C179	363	Column	261.25	HSS10X10X3/8	HSS10X10X3/8			3	
Story1	C180	390	Column	261.25	HSS10X10X3/8	HSS10X10X3/8			3	
Story1	C181	425	Column	261.25	HSS10X10X3/8	HSS10X10X3/8			3	
Story1	C182	468	Column	201.25	HSS10X10X3/8	HSS10X10X3/8			3	
Story1	C183	480	Column	157.9167	HSS10X10X1/4	HSS10X10X1/4			3	
Story1	C184	134	Column	157.9167	HSS10X10X1/4	HSS10X10X1/4			3	

Table 3.1 - Frame Assignments - Summary (continued)

Story	Label	UniqueName	Design Type	Length in	Analysis Section	Design Section	Axis Angle deg	Max Station Spacing in	Min Number Stations	Releases
Story1	C185	139	Column	157.9167	HSS10X10X1/4	HSS10X10X1/4			3	
Story1	C186	128	Column	157.9167	HSS10X10X1/4	HSS10X10X1/4			3	
Story1	C187	48	Column	140	HSS10X10X1/4	HSS10X10X1/4			3	
Story1	C188	47	Column	157.9167	HSS10X10X1/4	HSS10X10X1/4			3	
Story1	C189	81	Column	157.9167	HSS10X10X1/4	HSS10X10X1/4			3	
Story1	C190	213	Column	201.25	HSS10X10X1/4	HSS10X10X1/4			3	
Story1	C192	214	Column	201.25	HSS10X10X1/4	HSS10X10X1/4			3	
Story1	C193	287	Column	157.9167	HSS10X10X1/4	HSS10X10X1/4			3	
Story1	C194	337	Column	157.9167	HSS10X10X1/4	HSS10X10X1/4			3	
Story1	C195	396	Column	140	HSS10X10X1/4	HSS10X10X1/4			3	
Story1	C196	399	Column	157.9167	HSS10X10X1/4	HSS10X10X1/4			3	
Story1	C197	440	Column	157.9167	HSS10X10X1/4	HSS10X10X1/4			3	
Story1	C198	481	Column	157.9167	HSS10X10X1/4	HSS10X10X1/4			3	
Story1	C41	502	Column	121.25	HSS6X4X1/4	HSS6X4X1/4			3	
Story1	C43	515	Column	121.25	HSS6X4X1/4	HSS6X4X1/4			3	
Story1	C45	606	Column	121.25	HSS6X4X1/4	HSS6X4X1/4			3	
Story1	C48	610	Column	121.25	HSS6X4X1/4	HSS6X4X1/4			3	
Story1	C10	187	Column	70.625	HSS6X4X1/4	HSS6X4X1/4			3	Yes
Story1	C29	188	Column	70.625	HSS6X4X1/4	HSS6X4X1/4			3	Yes
Story1	C50	44	Column	70.625	HSS6X4X1/4	HSS6X4X1/4			3	Yes
Story1	C52	45	Column	70.625	HSS6X4X1/4	HSS6X4X1/4			3	Yes
Story1	C55	77	Column	70.625	HSS6X4X1/4	HSS6X4X1/4			3	Yes
Story1	C57	78	Column	70.625	HSS6X4X1/4	HSS6X4X1/4			3	Yes
Story1	C59	192	Column	70.625	HSS6X4X1/4	HSS6X4X1/4			3	Yes
Story1	C61	193	Column	70.625	HSS6X4X1/4	HSS6X4X1/4			3	Yes
Story1	C147	222	Column	130.625	HSS6X4X1/4	HSS6X4X1/4			3	Yes
Story1	C149	227	Column	130.625	HSS6X4X1/4	HSS6X4X1/4			3	Yes
Story1	C154	224	Column	130.625	HSS6X4X1/4	HSS6X4X1/4			3	Yes
Story1	C156	225	Column	130.625	HSS6X4X1/4	HSS6X4X1/4			3	Yes
Story1	C158	316	Column	70.625	HSS6X4X1/4	HSS6X4X1/4			3	Yes
Story1	C161	317	Column	70.625	HSS6X4X1/4	HSS6X4X1/4			3	Yes
Story1	C163	366	Column	70.625	HSS6X4X1/4	HSS6X4X1/4			3	Yes
Story1	C165	367	Column	70.625	HSS6X4X1/4	HSS6X4X1/4			3	Yes
Story1	C167	393	Column	70.625	HSS6X4X1/4	HSS6X4X1/4			3	Yes
Story1	C176	394	Column	70.625	HSS6X4X1/4	HSS6X4X1/4			3	Yes

Table 3.1 - Frame Assignments - Summary (continued)

Story	Label	UniqueName	Design Type	Length in	Analysis Section	Design Section	Axis Angle deg	Max Station Spacing in	Min Number Stations	Releases
Story1	C191	428	Column	70.625	HSS6X4X1/4	HSS6X4X1/4			3	Yes
Story1	C218	429	Column	70.625	HSS6X4X1/4	HSS6X4X1/4			3	Yes
Story1	D1	16	Brace	27.0833	HSS8X8X1/4	HSS8X8X1/4			3	
Story1	D2	144	Brace	27.0833	HSS8X8X1/4	HSS8X8X1/4			3	
Story1	D3	133	Brace	27.0833	HSS8X8X1/4	HSS8X8X1/4			3	
Story1	D4	644	Brace	27.0833	HSS8X8X1/4	HSS8X8X1/4			3	
Story1	D5	683	Brace	27.0833	HSS8X8X1/4	HSS8X8X1/4			3	
Story1	D6	51	Brace	27.0833	HSS8X8X1/4	HSS8X8X1/4			3	
Story1	D7	84	Brace	27.0833	HSS8X8X1/4	HSS8X8X1/4			3	
Story1	D8	290	Brace	27.0833	HSS8X8X1/4	HSS8X8X1/4			3	
Story1	D9	340	Brace	27.0833	HSS8X8X1/4	HSS8X8X1/4			3	
Story1	D10	579	Brace	27.0833	HSS8X8X1/4	HSS8X8X1/4			3	
Story1	D11	523	Brace	27.0833	HSS8X8X1/4	HSS8X8X1/4			3	
Story1	D12	402	Brace	27.0833	HSS8X8X1/4	HSS8X8X1/4			3	
Story1	D13	443	Brace	27.0833	HSS8X8X1/4	HSS8X8X1/4			3	
Story1	D14	470	Brace	27.0833	HSS8X8X1/4	HSS8X8X1/4			3	
Story1	D15	6	Brace	27.0833	HSS8X8X1/4	HSS8X8X1/4			3	
Story1	D16	635	Brace	31.4167	HSS8X8X1/4	HSS8X8X1/4	90		3	
Story1	D17	611	Brace	156	HSS8X8X1/4	HSS8X8X1/4	90	24		
Story1	D18	612	Brace	156	HSS8X8X1/4	HSS8X8X1/4	90		3	
Story1	D19	636	Brace	31.4167	HSS8X8X1/4	HSS8X8X1/4	90		3	
Story1	D20	491	Brace	27.0833	HSS8X8X1/4	HSS8X8X1/4			3	
Story1	D21	145	Brace	112.6667	HSS8X8X1/4	HSS8X8X1/4			3	
Story1	D22	136	Brace	112.6667	HSS8X8X1/4	HSS8X8X1/4			3	
Story1	D23	645	Brace	112.6667	HSS8X8X1/4	HSS8X8X1/4			3	
Story1	D24	684	Brace	112.6667	HSS8X8X1/4	HSS8X8X1/4			3	
Story1	D25	52	Brace	112.6667	HSS8X8X1/4	HSS8X8X1/4			3	
Story1	D26	85	Brace	112.6667	HSS8X8X1/4	HSS8X8X1/4			3	
Story1	D27	291	Brace	112.6667	HSS8X8X1/4	HSS8X8X1/4			3	
Story1	D28	341	Brace	112.6667	HSS8X8X1/4	HSS8X8X1/4			3	
Story1	D29	580	Brace	112.6667	HSS8X8X1/4	HSS8X8X1/4			3	
Story1	D30	525	Brace	112.6667	HSS8X8X1/4	HSS8X8X1/4			3	
Story1	D31	403	Brace	112.6667	HSS8X8X1/4	HSS8X8X1/4			3	

Table 3.1 - Frame Assignments - Summary (continued)

Story	Label	UniqueName	Design Type	Length in	Analysis Section	Design Section	Axis Angle deg	Max Station Spacing in	Min Number Stations	Releases
Story1	D32	444	Brace	112.6667	HSS8X8X1/4	HSS8X8X1/4			3	
Story1	D33	544	Brace	37.9167	HSS8X8X1/4	HSS8X8X1/4			3	
Story1	D34	551	Brace	37.9167	HSS8X8X1/4	HSS8X8X1/4			3	
Story1	D35	553	Brace	37.9167	HSS8X8X1/4	HSS8X8X1/4			3	
Story1	D36	555	Brace	37.9167	HSS8X8X1/4	HSS8X8X1/4			3	
Story1	D37	557	Brace	37.9167	HSS8X8X1/4	HSS8X8X1/4			3	
Story1	D38	559	Brace	37.9167	HSS8X8X1/4	HSS8X8X1/4			3	
Story1	D39	561	Brace	37.9167	HSS8X8X1/4	HSS8X8X1/4			3	
Story1	D40	563	Brace	37.9167	HSS8X8X1/4	HSS8X8X1/4			3	
Story1	D41	565	Brace	37.9167	HSS8X8X1/4	HSS8X8X1/4			3	
Story1	D42	567	Brace	37.9167	HSS8X8X1/4	HSS8X8X1/4			3	
Story1	D43	120	Brace	27.0833	HSS8X8X1/4	HSS8X8X1/4			3	
Story1	D44	121	Brace	112.6667	HSS8X8X1/4	HSS8X8X1/4			3	
Story1	D45	634	Brace	31.4167	HSS8X8X1/4	HSS8X8X1/4	90		3	
Story1	D46	607	Brace	156	HSS8X8X1/4	HSS8X8X1/4	90	24		
Story1	D47	608	Brace	156	HSS8X8X1/4	HSS8X8X1/4	90		3	
Story1	D48	672	Brace	31.4167	HSS8X8X1/4	HSS8X8X1/4	90		3	
Story1	D49	490	Brace	112.6667	HSS8X8X1/4	HSS8X8X1/4			3	
Story1	D50	489	Brace	27.0833	HSS8X8X1/4	HSS8X8X1/4			3	
Story1	D51	151	Brace	76.8644	HSS6X4X1/4	HSS6X4X1/4			3	Yes
Story1	D52	163	Brace	76.8644	HSS6X4X1/4	HSS6X4X1/4			3	Yes
Story1	D53	30	Brace	76.8644	HSS6X4X1/4	HSS6X4X1/4			3	Yes
Story1	D54	63	Brace	76.8644	HSS6X4X1/4	HSS6X4X1/4			3	Yes
Story1	D55	96	Brace	76.8644	HSS6X4X1/4	HSS6X4X1/4			3	Yes
Story1	D56	203	Brace	76.8644	HSS6X4X1/4	HSS6X4X1/4			3	Yes
Story1	D57	228	Brace	76.8644	HSS6X4X1/4	HSS6X4X1/4			3	Yes
Story1	D58	253	Brace	76.8644	HSS6X4X1/4	HSS6X4X1/4			3	Yes
Story1	D59	219	Brace	76.375	HSS8X8X1/4	HSS8X8X1/4			3	Yes
Story1	D60	216	Brace	76.375	HSS8X8X1/4	HSS8X8X1/4			3	Yes
Story1	D61	226	Brace	76.8644	HSS6X4X1/4	HSS6X4X1/4			3	Yes
Story1	D62	275	Brace	76.8644	HSS6X4X1/4	HSS6X4X1/4			3	Yes
Story1	D63	302	Brace	76.8644	HSS6X4X1/4	HSS6X4X1/4			3	Yes
Story1	D64	327	Brace	76.8644	HSS6X4X1/4	HSS6X4X1/4			3	Yes
Story1	D65	352	Brace	76.8644	HSS6X4X1/4	HSS6X4X1/4			3	Yes
Story1	D66	379	Brace	76.8644	HSS6X4X1/4	HSS6X4X1/4			3	Yes
Story1	D67	414	Brace	76.8644	HSS6X4X1/4	HSS6X4X1/4			3	Yes
Story1	D68	455	Brace	76.8644	HSS6X4X1/4	HSS6X4X1/4			3	Yes
Story1	D69	152	Brace	74.6476	HSS6X4X1/4	HSS6X4X1/4			3	Yes
Story1	D70	164	Brace	74.6476	HSS6X4X1/4	HSS6X4X1/4			3	Yes
Story1	D71	31	Brace	74.6476	HSS6X4X1/4	HSS6X4X1/4			3	Yes
Story1	D72	64	Brace	74.6476	HSS6X4X1/4	HSS6X4X1/4			3	Yes

Table 3.1 - Frame Assignments - Summary (continued)

Story	Label	UniqueName	Design Type	Length in	Analysis Section	Design Section	Axis Angle deg	Max Station Spacing in	Min Number Stations	Releases
Story1	D73	172	Brace	74.6476	HSS6X4X1/4	HSS6X4X1/4			3	Yes
Story1	D74	204	Brace	74.6476	HSS6X4X1/4	HSS6X4X1/4			3	Yes
Story1	D75	254	Brace	74.6476	HSS6X4X1/4	HSS6X4X1/4			3	Yes
Story1	D76	276	Brace	74.6476	HSS6X4X1/4	HSS6X4X1/4			3	Yes
Story1	D77	303	Brace	74.6476	HSS6X4X1/4	HSS6X4X1/4			3	Yes
Story1	D78	328	Brace	74.6476	HSS6X4X1/4	HSS6X4X1/4			3	Yes
Story1	D79	353	Brace	74.6476	HSS6X4X1/4	HSS6X4X1/4			3	Yes
Story1	D80	380	Brace	74.6476	HSS6X4X1/4	HSS6X4X1/4			3	Yes
Story1	D81	415	Brace	74.6476	HSS6X4X1/4	HSS6X4X1/4			3	Yes
Story1	D82	456	Brace	74.6476	HSS6X4X1/4	HSS6X4X1/4			3	Yes
Story1	D83	675	Brace	295.75	HSS8X8X1/4	HSS8X8X1/4			3	
Story1	D84	119	Brace	295.75	HSS8X8X1/4	HSS8X8X1/4			3	
Story1	D85	143	Brace	295.75	HSS8X8X1/4	HSS8X8X1/4			3	
Story1	D86	147	Brace	295.75	HSS8X8X1/4	HSS8X8X1/4			3	
Story1	D87	21	Brace	295.75	HSS8X8X1/4	HSS8X8X1/4			3	
Story1	D88	23	Brace	295.75	HSS8X8X1/4	HSS8X8X1/4			3	
Story1	D89	54	Brace	295.75	HSS8X8X1/4	HSS8X8X1/4			3	
Story1	D90	56	Brace	295.75	HSS8X8X1/4	HSS8X8X1/4			3	
Story1	D91	87	Brace	295.75	HSS8X8X1/4	HSS8X8X1/4			3	Yes
Story1	D92	89	Brace	295.75	HSS8X8X1/4	HSS8X8X1/4			3	
Story1	D93	196	Brace	295.75	HSS8X8X1/4	HSS8X8X1/4			3	
Story1	D94	221	Brace	295.75	HSS8X8X1/4	HSS8X8X1/4			3	
Story1	D95	246	Brace	295.75	HSS8X8X1/4	HSS8X8X1/4			3	
Story1	D96	223	Brace	295.75	HSS8X8X1/4	HSS8X8X1/4			3	
Story1	D97	268	Brace	295.75	HSS8X8X1/4	HSS8X8X1/4			3	
Story1	D98	293	Brace	295.75	HSS8X8X1/4	HSS8X8X1/4			3	Yes
Story1	D99	295	Brace	295.75	HSS8X8X1/4	HSS8X8X1/4			3	
Story1	D100	320	Brace	295.75	HSS8X8X1/4	HSS8X8X1/4			3	
Story1	D101	343	Brace	295.75	HSS8X8X1/4	HSS8X8X1/4			3	
Story1	D102	345	Brace	295.75	HSS8X8X1/4	HSS8X8X1/4			3	
Story1	D103	370	Brace	295.75	HSS8X8X1/4	HSS8X8X1/4			3	
Story1	D104	372	Brace	295.75	HSS8X8X1/4	HSS8X8X1/4			3	
Story1	D105	405	Brace	295.75	HSS8X8X1/4	HSS8X8X1/4			3	
Story1	D106	407	Brace	295.75	HSS8X8X1/4	HSS8X8X1/4			3	
Story1	D107	700	Brace	295.75	HSS8X8X1/4	HSS8X8X1/4			3	
Story1	D108	448	Brace	295.75	HSS8X8X1/4	HSS8X8X1/4			3	
Story1	D109	153	Brace	74.6476	HSS6X4X1/4	HSS6X4X1/4			3	Yes
Story1	D110	165	Brace	74.6476	HSS6X4X1/4	HSS6X4X1/4			3	Yes
Story1	D111	32	Brace	74.6476	HSS6X4X1/4	HSS6X4X1/4			3	Yes
Story1	D112	65	Brace	74.6476	HSS6X4X1/4	HSS6X4X1/4			3	Yes
Story1	D113	173	Brace	74.6476	HSS6X4X1/4	HSS6X4X1/4			3	Yes
Story1	D114	205	Brace	74.6476	HSS6X4X1/4	HSS6X4X1/4			3	Yes
Story1	D115	255	Brace	74.6476	HSS6X4X1/4	HSS6X4X1/4			3	Yes
Story1	D116	277	Brace	74.6476	HSS6X4X1/4	HSS6X4X1/4			3	Yes

Table 3.1 - Frame Assignments - Summary (continued)

Story	Label	UniqueName	Design Type	Length in	Analysis Section	Design Section	Axis Angle deg	Max Station Spacing in	Min Number Stations	Releases
Story1	D117	304	Brace	74.6476	HSS6X4X1/4	HSS6X4X1/4			3	Yes
Story1	D118	329	Brace	74.6476	HSS6X4X1/4	HSS6X4X1/4			3	Yes
Story1	D119	354	Brace	74.6476	HSS6X4X1/4	HSS6X4X1/4			3	Yes
Story1	D120	381	Brace	74.6476	HSS6X4X1/4	HSS6X4X1/4			3	Yes
Story1	D121	416	Brace	74.6476	HSS6X4X1/4	HSS6X4X1/4			3	Yes
Story1	D122	457	Brace	74.6476	HSS6X4X1/4	HSS6X4X1/4			3	Yes
Story1	D123	7	Brace	27.0833	HSS8X8X1/4	HSS8X8X1/4			3	
Story1	D124	8	Brace	112.6667	HSS8X8X1/4	HSS8X8X1/4			3	
Story1	D125	488	Brace	112.6667	HSS8X8X1/4	HSS8X8X1/4			3	
Story1	D126	487	Brace	27.0833	HSS8X8X1/4	HSS8X8X1/4			3	
Story1	D127	154	Brace	74.6476	HSS6X4X1/4	HSS6X4X1/4			3	Yes
Story1	D128	166	Brace	74.6476	HSS6X4X1/4	HSS6X4X1/4			3	Yes
Story1	D129	33	Brace	74.6476	HSS6X4X1/4	HSS6X4X1/4			3	Yes
Story1	D130	66	Brace	74.6476	HSS6X4X1/4	HSS6X4X1/4			3	Yes
Story1	D131	177	Brace	74.6476	HSS6X4X1/4	HSS6X4X1/4			3	Yes
Story1	D132	206	Brace	74.6476	HSS6X4X1/4	HSS6X4X1/4			3	Yes
Story1	D133	256	Brace	74.6476	HSS6X4X1/4	HSS6X4X1/4			3	Yes
Story1	D134	278	Brace	74.6476	HSS6X4X1/4	HSS6X4X1/4			3	Yes
Story1	D135	305	Brace	74.6476	HSS6X4X1/4	HSS6X4X1/4			3	Yes
Story1	D136	330	Brace	74.6476	HSS6X4X1/4	HSS6X4X1/4			3	Yes
Story1	D137	355	Brace	74.6476	HSS6X4X1/4	HSS6X4X1/4			3	Yes
Story1	D138	382	Brace	74.6476	HSS6X4X1/4	HSS6X4X1/4			3	Yes
Story1	D139	417	Brace	74.6476	HSS6X4X1/4	HSS6X4X1/4			3	Yes
Story1	D140	458	Brace	74.6476	HSS6X4X1/4	HSS6X4X1/4			3	Yes
Story1	D141	158	Brace	74.6476	HSS6X4X1/4	HSS6X4X1/4			3	Yes
Story1	D142	170	Brace	74.6476	HSS6X4X1/4	HSS6X4X1/4			3	Yes
Story1	D143	37	Brace	74.6476	HSS6X4X1/4	HSS6X4X1/4			3	Yes
Story1	D144	70	Brace	74.6476	HSS6X4X1/4	HSS6X4X1/4			3	Yes
Story1	D145	183	Brace	74.6476	HSS6X4X1/4	HSS6X4X1/4			3	Yes
Story1	D146	210	Brace	74.6476	HSS6X4X1/4	HSS6X4X1/4			3	Yes
Story1	D147	260	Brace	74.6476	HSS6X4X1/4	HSS6X4X1/4			3	Yes
Story1	D148	282	Brace	74.6476	HSS6X4X1/4	HSS6X4X1/4			3	Yes
Story1	D149	309	Brace	74.6476	HSS6X4X1/4	HSS6X4X1/4			3	Yes
Story1	D150	334	Brace	74.6476	HSS6X4X1/4	HSS6X4X1/4			3	Yes
Story1	D151	359	Brace	74.6476	HSS6X4X1/4	HSS6X4X1/4			3	Yes
Story1	D152	386	Brace	74.6476	HSS6X4X1/4	HSS6X4X1/4			3	Yes
Story1	D153	421	Brace	74.6476	HSS6X4X1/4	HSS6X4X1/4			3	Yes
Story1	D154	462	Brace	74.6476	HSS6X4X1/4	HSS6X4X1/4			3	Yes
Story1	D155	4	Brace	27.0833	HSS8X8X1/4	HSS8X8X1/4			3	
Story1	D156	5	Brace	112.6667	HSS8X8X1/4	HSS8X8X1/4			3	

Table 3.1 - Frame Assignments - Summary (continued)

Story	Label	UniqueName	Design Type	Length in	Analysis Section	Design Section	Axis Angle deg	Max Station Spacing in	Min Number Stations	Releases
Story1	D157	486	Brace	112.6667	HSS8X8X1/4	HSS8X8X1/4			3	
Story1	D158	485	Brace	27.0833	HSS8X8X1/4	HSS8X8X1/4			3	
Story1	D159	157	Brace	74.6476	HSS6X4X1/4	HSS6X4X1/4			3	Yes
Story1	D160	169	Brace	74.6476	HSS6X4X1/4	HSS6X4X1/4			3	Yes
Story1	D161	36	Brace	74.6476	HSS6X4X1/4	HSS6X4X1/4			3	Yes
Story1	D162	69	Brace	74.6476	HSS6X4X1/4	HSS6X4X1/4			3	Yes
Story1	D163	181	Brace	74.6476	HSS6X4X1/4	HSS6X4X1/4			3	Yes
Story1	D164	209	Brace	74.6476	HSS6X4X1/4	HSS6X4X1/4			3	Yes
Story1	D165	259	Brace	74.6476	HSS6X4X1/4	HSS6X4X1/4			3	Yes
Story1	D166	281	Brace	74.6476	HSS6X4X1/4	HSS6X4X1/4			3	Yes
Story1	D167	308	Brace	74.6476	HSS6X4X1/4	HSS6X4X1/4			3	Yes
Story1	D168	333	Brace	74.6476	HSS6X4X1/4	HSS6X4X1/4			3	Yes
Story1	D169	358	Brace	74.6476	HSS6X4X1/4	HSS6X4X1/4			3	Yes
Story1	D170	385	Brace	74.6476	HSS6X4X1/4	HSS6X4X1/4			3	Yes
Story1	D171	420	Brace	74.6476	HSS6X4X1/4	HSS6X4X1/4			3	Yes
Story1	D172	461	Brace	74.6476	HSS6X4X1/4	HSS6X4X1/4			3	Yes
Story1	D173	638	Brace	295.75	HSS8X8X1/4	HSS8X8X1/4			3	
Story1	D174	107	Brace	295.75	HSS8X8X1/4	HSS8X8X1/4			3	
Story1	D175	138	Brace	295.75	HSS8X8X1/4	HSS8X8X1/4			3	
Story1	D176	146	Brace	295.75	HSS8X8X1/4	HSS8X8X1/4			3	
Story1	D177	20	Brace	295.75	HSS8X8X1/4	HSS8X8X1/4			3	
Story1	D178	22	Brace	295.75	HSS8X8X1/4	HSS8X8X1/4			3	
Story1	D179	53	Brace	295.75	HSS8X8X1/4	HSS8X8X1/4			3	
Story1	D180	55	Brace	295.75	HSS8X8X1/4	HSS8X8X1/4			3	
Story1	D181	86	Brace	295.75	HSS8X8X1/4	HSS8X8X1/4			3	Yes
Story1	D182	88	Brace	295.75	HSS8X8X1/4	HSS8X8X1/4			3	
Story1	D183	195	Brace	295.75	HSS8X8X1/4	HSS8X8X1/4			3	
Story1	D184	220	Brace	295.75	HSS8X8X1/4	HSS8X8X1/4			3	
Story1	D185	245	Brace	295.75	HSS8X8X1/4	HSS8X8X1/4			3	
Story1	D186	217	Brace	295.75	HSS8X8X1/4	HSS8X8X1/4			3	
Story1	D187	267	Brace	295.75	HSS8X8X1/4	HSS8X8X1/4			3	
Story1	D188	292	Brace	295.75	HSS8X8X1/4	HSS8X8X1/4			3	Yes
Story1	D189	294	Brace	295.75	HSS8X8X1/4	HSS8X8X1/4			3	
Story1	D190	319	Brace	295.75	HSS8X8X1/4	HSS8X8X1/4			3	
Story1	D191	342	Brace	295.75	HSS8X8X1/4	HSS8X8X1/4			3	
Story1	D192	344	Brace	295.75	HSS8X8X1/4	HSS8X8X1/4			3	
Story1	D193	369	Brace	295.75	HSS8X8X1/4	HSS8X8X1/4			3	
Story1	D194	371	Brace	295.75	HSS8X8X1/4	HSS8X8X1/4			3	
Story1	D195	404	Brace	295.75	HSS8X8X1/4	HSS8X8X1/4			3	
Story1	D196	406	Brace	295.75	HSS8X8X1/4	HSS8X8X1/4			3	
Story1	D197	697	Brace	295.75	HSS8X8X1/4	HSS8X8X1/4			3	
Story1	D198	447	Brace	295.75	HSS8X8X1/4	HSS8X8X1/4			3	
Story1	D199	156	Brace	74.6476	HSS6X4X1/4	HSS6X4X1/4			3	Yes

Table 3.1 - Frame Assignments - Summary (continued)

Story	Label	UniqueName	Design Type	Length in	Analysis Section	Design Section	Axis Angle deg	Max Station Spacing in	Min Number Stations	Releases
Story1	D200	168	Brace	74.6476	HSS6X4X1/4	HSS6X4X1/4			3	Yes
Story1	D201	35	Brace	74.6476	HSS6X4X1/4	HSS6X4X1/4			3	Yes
Story1	D202	68	Brace	74.6476	HSS6X4X1/4	HSS6X4X1/4			3	Yes
Story1	D203	180	Brace	74.6476	HSS6X4X1/4	HSS6X4X1/4			3	Yes
Story1	D204	208	Brace	74.6476	HSS6X4X1/4	HSS6X4X1/4			3	Yes
Story1	D205	258	Brace	74.6476	HSS6X4X1/4	HSS6X4X1/4			3	Yes
Story1	D206	280	Brace	74.6476	HSS6X4X1/4	HSS6X4X1/4			3	Yes
Story1	D207	307	Brace	74.6476	HSS6X4X1/4	HSS6X4X1/4			3	Yes
Story1	D208	332	Brace	74.6476	HSS6X4X1/4	HSS6X4X1/4			3	Yes
Story1	D209	357	Brace	74.6476	HSS6X4X1/4	HSS6X4X1/4			3	Yes
Story1	D210	384	Brace	74.6476	HSS6X4X1/4	HSS6X4X1/4			3	Yes
Story1	D211	419	Brace	74.6476	HSS6X4X1/4	HSS6X4X1/4			3	Yes
Story1	D212	460	Brace	74.6476	HSS6X4X1/4	HSS6X4X1/4			3	Yes
Story1	D213	155	Brace	76.8644	HSS6X4X1/4	HSS6X4X1/4			3	Yes
Story1	D214	167	Brace	76.8644	HSS6X4X1/4	HSS6X4X1/4			3	Yes
Story1	D215	34	Brace	76.8644	HSS6X4X1/4	HSS6X4X1/4			3	Yes
Story1	D216	67	Brace	76.8644	HSS6X4X1/4	HSS6X4X1/4			3	Yes
Story1	D217	178	Brace	76.8644	HSS6X4X1/4	HSS6X4X1/4			3	Yes
Story1	D218	207	Brace	76.8644	HSS6X4X1/4	HSS6X4X1/4			3	Yes
Story1	D219	232	Brace	76.8644	HSS6X4X1/4	HSS6X4X1/4			3	Yes
Story1	D220	257	Brace	76.8644	HSS6X4X1/4	HSS6X4X1/4			3	Yes
Story1	D221	218	Brace	76.375	HSS8X8X1/4	HSS8X8X1/4			3	Yes
Story1	D222	215	Brace	76.375	HSS8X8X1/4	HSS8X8X1/4			3	Yes
Story1	D223	229	Brace	76.8644	HSS6X4X1/4	HSS6X4X1/4			3	Yes
Story1	D224	279	Brace	76.8644	HSS6X4X1/4	HSS6X4X1/4			3	Yes
Story1	D225	306	Brace	76.8644	HSS6X4X1/4	HSS6X4X1/4			3	Yes
Story1	D226	331	Brace	76.8644	HSS6X4X1/4	HSS6X4X1/4			3	Yes
Story1	D227	356	Brace	76.8644	HSS6X4X1/4	HSS6X4X1/4			3	Yes
Story1	D228	383	Brace	76.8644	HSS6X4X1/4	HSS6X4X1/4			3	Yes
Story1	D229	418	Brace	76.8644	HSS6X4X1/4	HSS6X4X1/4			3	Yes
Story1	D230	459	Brace	76.8644	HSS6X4X1/4	HSS6X4X1/4			3	Yes
Story1	D231	2	Brace	27.0833	HSS8X8X1/4	HSS8X8X1/4			3	
Story1	D232	3	Brace	112.6667	HSS8X8X1/4	HSS8X8X1/4			3	
Story1	D233	520	Brace	31.4167	HSS8X8X1/4	HSS8X8X1/4	90		3	
Story1	D234	509	Brace	156	HSS8X8X1/4	HSS8X8X1/4	90	24		
Story1	D235	512	Brace	156	HSS8X8X1/4	HSS8X8X1/4	90		3	
Story1	D236	535	Brace	31.4167	HSS8X8X1/4	HSS8X8X1/4	90		3	
Story1	D237	484	Brace	112.6667	HSS8X8X1/4	HSS8X8X1/4			3	
Story1	D238	483	Brace	27.0833	HSS8X8X1/4	HSS8X8X1/4			3	
Story1	D239	546	Brace	37.9167	HSS8X8X1/4	HSS8X8X1/4			3	
Story1	D240	552	Brace	37.9167	HSS8X8X1/4	HSS8X8X1/4			3	
Story1	D241	554	Brace	37.9167	HSS8X8X1/4	HSS8X8X1/4			3	

Table 3.1 - Frame Assignments - Summary (continued)

Story	Label	UniqueName	Design Type	Length in	Analysis Section	Design Section	Axis Angle deg	Max Station Spacing in	Min Number Stations	Releases
Story1	D242	556	Brace	37.9167	HSS8X8X1/4	HSS8X8X1/4			3	
Story1	D243	558	Brace	37.9167	HSS8X8X1/4	HSS8X8X1/4			3	
Story1	D244	560	Brace	37.9167	HSS8X8X1/4	HSS8X8X1/4			3	
Story1	D245	562	Brace	37.9167	HSS8X8X1/4	HSS8X8X1/4			3	
Story1	D246	564	Brace	37.9167	HSS8X8X1/4	HSS8X8X1/4			3	
Story1	D247	566	Brace	37.9167	HSS8X8X1/4	HSS8X8X1/4			3	
Story1	D248	568	Brace	37.9167	HSS8X8X1/4	HSS8X8X1/4			3	
Story1	D249	142	Brace	112.6667	HSS8X8X1/4	HSS8X8X1/4			3	
Story1	D250	130	Brace	112.6667	HSS8X8X1/4	HSS8X8X1/4			3	
Story1	D251	50	Brace	112.6667	HSS8X8X1/4	HSS8X8X1/4			3	
Story1	D252	83	Brace	112.6667	HSS8X8X1/4	HSS8X8X1/4			3	
Story1	D253	289	Brace	112.6667	HSS8X8X1/4	HSS8X8X1/4			3	
Story1	D254	339	Brace	112.6667	HSS8X8X1/4	HSS8X8X1/4			3	
Story1	D255	401	Brace	112.6667	HSS8X8X1/4	HSS8X8X1/4			3	
Story1	D256	442	Brace	112.6667	HSS8X8X1/4	HSS8X8X1/4			3	
Story1	D257	1	Brace	27.0833	HSS8X8X1/4	HSS8X8X1/4			3	
Story1	D258	521	Brace	31.4167	HSS8X8X1/4	HSS8X8X1/4	90		3	
Story1	D259	516	Brace	156	HSS8X8X1/4	HSS8X8X1/4	90	24		
Story1	D260	518	Brace	156	HSS8X8X1/4	HSS8X8X1/4	90		3	
Story1	D261	532	Brace	31.4167	HSS8X8X1/4	HSS8X8X1/4	90		3	
Story1	D262	482	Brace	27.0833	HSS8X8X1/4	HSS8X8X1/4			3	
Story1	D263	14	Brace	27.0833	HSS8X8X1/4	HSS8X8X1/4			3	
Story1	D264	141	Brace	27.0833	HSS8X8X1/4	HSS8X8X1/4			3	
Story1	D265	129	Brace	27.0833	HSS8X8X1/4	HSS8X8X1/4			3	
Story1	D266	49	Brace	27.0833	HSS8X8X1/4	HSS8X8X1/4			3	
Story1	D267	82	Brace	27.0833	HSS8X8X1/4	HSS8X8X1/4			3	
Story1	D268	288	Brace	27.0833	HSS8X8X1/4	HSS8X8X1/4			3	
Story1	D269	338	Brace	27.0833	HSS8X8X1/4	HSS8X8X1/4			3	
Story1	D270	400	Brace	27.0833	HSS8X8X1/4	HSS8X8X1/4			3	
Story1	D271	441	Brace	27.0833	HSS8X8X1/4	HSS8X8X1/4			3	
Story1	D272	469	Brace	27.0833	HSS8X8X1/4	HSS8X8X1/4			3	

3.2 Shell Assignments

Table 3.2 - Area Assignments - Summary

Story	Label	UniqueName	Section Property	Property Type
Story1	F1	21	Deck1	Deck
Story1	F2	28	Deck1	Deck
Story1	F3	27	Deck1	Deck
Story1	F4	34	Deck1	Deck
Story1	F5	10	Deck1	Deck
Story1	F6	7	Deck1	Deck
Story1	F7	12	Deck2	Deck
Story1	F8	2	Deck2	Deck
Story1	W1	20	Deck1	Deck
Story1	W2	24	Deck1	Deck
Story1	W3	37	Deck1	Deck
Story1	W4	32	Deck1	Deck
Story1	W5	11	Deck1	Deck
Story1	W6	6	Deck1	Deck
Story1	W7	25	Deck1	Deck
Story1	W8	31	Deck1	Deck
Story1	W9	15	Deck1	Deck
Story1	W10	13	Deck1	Deck
Story1	W11	1	Deck1	Deck
Story1	W12	3	Deck1	Deck
Story1	W13	39	Deck1	Deck
Story1	W14	29	Deck1	Deck
Story1	W15	49	Deck1	Deck
Story1	W16	60	Deck1	Deck
Story1	W17	61	Deck1	Deck
Story1	W18	55	Deck1	Deck
Story1	W19	56	Deck1	Deck
Story1	W20	57	Deck1	Deck
Story1	W21	36	Deck1	Deck
Story1	W22	48	Deck1	Deck
Story1	W23	22	Deck1	Deck
Story1	W24	26	Deck1	Deck
Story1	W25	35	Deck1	Deck
Story1	W26	38	Deck1	Deck
Story1	W27	47	Deck1	Deck
Story1	W28	50	Deck1	Deck
Story1	W29	46	Deck1	Deck
Story1	W30	51	Deck1	Deck
Story1	W31	18	Deck1	Deck
Story1	W32	16	Deck1	Deck
Story1	W33	14	Deck1	Deck
Story1	W34	4	Deck1	Deck
Story1	W35	59	Deck1	Deck
Story1	W36	58	Deck1	Deck
Story1	W37	54	Deck1	Deck

Table 3.2 - Area Assignments - Summary (continued)

Story	Label	UniqueName	Section Property	Property Type
Story1	W38	53	Deck1	Deck
Story1	W39	52	Deck1	Deck
Story1	W40	45	Deck1	Deck
Story1	W41	5	Deck1	Deck
Story1	W42	33	Deck1	Deck
Story1	W43	9	Deck1	Deck
Story1	W44	42	Deck1	Deck
Story1	W45	40	Deck1	Deck
Story1	W46	63	Deck1	Deck
Story1	W47	64	Deck1	Deck
Story1	W48	67	Deck1	Deck
Story1	W49	68	Deck1	Deck
Story1	W50	19	Deck1	Deck
Story1	W51	8	Deck1	Deck
Story1	W52	43	Deck1	Deck
Story1	A1	109	None	Null
Story1	A2	110	None	Null
Story1	A3	111	None	Null
Story1	A4	112	None	Null
Story1	A5	114	None	Null
Story1	A6	115	None	Null
Story1	A7	116	None	Null
Story1	A8	117	None	Null
Story1	A9	118	None	Null
Story1	A10	119	None	Null
Story1	A13	123	None	Null
Story1	A14	124	None	Null
Story1	A15	125	None	Null
Story1	A16	126	None	Null
Story1	A17	127	None	Null
Story1	A18	128	None	Null
Story1	A19	129	None	Null
Story1	A20	130	None	Null
Story1	A21	131	None	Null
Story1	A22	132	None	Null
Story1	A23	83	None	Null
Story1	A24	104	None	Null
Story1	A25	88	None	Null
Story1	A26	113	None	Null
Story1	A27	90	None	Null
Story1	A28	91	None	Null
Story1	A29	94	None	Null
Story1	A30	96	None	Null
Story1	A31	98	None	Null

Table 3.2 - Area Assignments - Summary (continued)

Story	Label	UniqueName	Section Property	Property Type
Story1	A32	100	None	Null
Story1	A33	102	None	Null
Story1	A34	133	None	Null
Story1	A35	84	None	Null
Story1	A36	105	None	Null
Story1	A37	85	None	Null
Story1	A38	106	None	Null
Story1	A39	86	None	Null
Story1	A40	107	None	Null
Story1	A41	89	None	Null
Story1	A42	122	None	Null
Story1	A43	92	None	Null
Story1	A44	93	None	Null
Story1	A45	95	None	Null
Story1	A46	97	None	Null
Story1	A47	99	None	Null
Story1	A48	101	None	Null
Story1	A49	103	None	Null
Story1	A50	134	None	Null
Story1	A51	87	None	Null
Story1	A52	108	None	Null
Story1	A53	17	None	Null
Story1	A54	23	None	Null
Story1	A55	30	None	Null
Story1	A56	41	None	Null
Story1	A57	44	None	Null
Story1	A58	62	None	Null
Story1	A59	65	None	Null
Story1	A60	66	None	Null
Story1	A61	69	None	Null
Story1	A62	70	None	Null
Story1	A65	73	None	Null
Story1	A66	74	None	Null
Story1	A67	75	None	Null
Story1	A68	76	None	Null
Story1	A69	77	None	Null
Story1	A70	78	None	Null
Story1	A71	79	None	Null
Story1	A72	80	None	Null
Story1	A73	81	None	Null
Story1	A74	82	None	Null
Story1	A79	71	None	Null
Story1	A80	72	None	Null
Story1	A81	120	None	Null

Table 3.2 - Area Assignments - Summary (continued)

Story	Label	UniqueName	Section Property	Property Type
Story1	A82	121	None	Null

4 Loads

This chapter provides loading information as applied to the model.

4.1 Load Patterns

Table 4.1 - Load Pattern Definitions

Name	Is Auto Load	Type	Self Weight Multiplier	Auto Load
~LLRF	Yes	Other	0	
DL	No	Dead	1	
ELX	No	Seismic	0	ASCE 7-16
ELY	No	Seismic	0	ASCE 7-16
RLL	No	Reducible Live	0	
SDL	No	Super Dead	0	
WLX	No	Wind	0	ASCE 7-16
WLY	No	Wind	0	ASCE 7-16

4.2 Auto Wind Loading

Loads

5/22/2023

ASCE 7-16 Auto Wind Load Calculation

This calculation presents the automatically generated lateral wind loads for load pattern WLX according to ASCE 7-16, as calculated by ETABS.

Exposure Parameters

Exposure From = Shell Objects

Exposure Category = C

Wind Direction = 0 degrees

Top Story = Story1

Bottom Story = Base

Include Parapet = No

Factors and Coefficients

Solid/Gross Area Ratio = 0.2

Gradient Height, z_g [ASCE Table 26.9-1]

$$z_g = 900$$

Emperical Exponent, α [ASCE Table 26.9-1]

$$\alpha = 9.5$$

Velocity Pressure Exposure Coefficient, K_z [ASCE Table 27.3-1]

$$K_z = 2.01 \left(\frac{z}{z_g} \right)^{\frac{2}{\alpha}} \text{ for } 15\text{ft} \leq z \leq z_g$$

$$K_z = 2.01 \left(\frac{15}{z_g} \right)^{\frac{2}{\alpha}} \text{ for } z < 15\text{ft}$$

Topographical Factor, K_{zt} [ASCE 26.8.2]

$$K_{zt} = 1$$

Directionality Factor, K_d [ASCE 26.6]

$$K_d = 0.85$$

Gust Effect Factor, G [ASCE 26.9]

$$G = 0.85$$

Lateral Loading

Velocity Pressure, q_z [ASCE 27.3.2 Eq. 27.3-1]

$$q_z = 0.00256 K_z K_{zt} K_d V^2$$

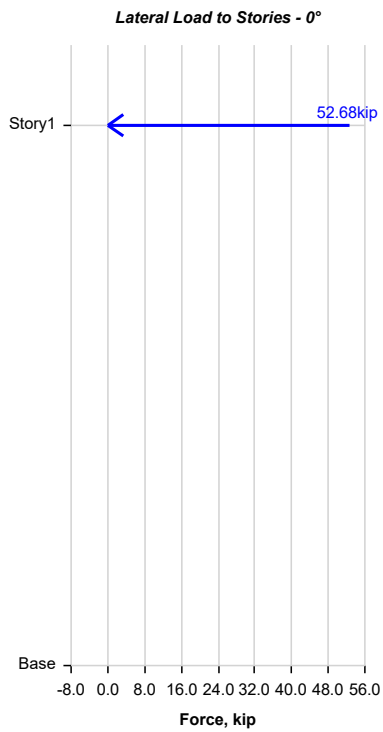
Design Wind Pressure, p [ASCE 27.4.2 Eq. 27.4-2]

$$p = qG C_p$$

Loads

5/22/2023

Applied Story Forces



Story	Elevation	X-Dir	Y-Dir
	in	kip	kip
Story1	435	52.68	0
Base	0	0	0

ASCE 7-16 Auto Wind Load Calculation

This calculation presents the automatically generated lateral wind loads for load pattern WLY according to ASCE 7-16, as calculated by ETABS.

Exposure Parameters

Exposure From = Shell Objects

Exposure Category = C

Wind Direction = 0 degrees

Top Story = Story1

Bottom Story = Base

Include Parapet = No

Factors and Coefficients

Solid/Gross Area Ratio = 0.2

Gradient Height, z_g [ASCE Table 26.9-1] $z_g = 900$

Emperical Exponent, α [ASCE Table 26.9-1] $\alpha = 9.5$

Velocity Pressure Exposure Coefficient, K_z : [ASCE Table 27.3-1] $K_z = 2.01 \left(\frac{z}{z_g} \right)^{\frac{2}{\alpha}}$ for $15ft \leq z \leq z_g$

$$K_z = 2.01 \left(\frac{15}{z_g} \right)^{\frac{2}{\alpha}} \text{ for } z < 15ft$$

Topographical Factor, K_{zt} [ASCE 26.8.2] $K_{zt} = 1$

Directionality Factor, K_d [ASCE 26.6] $K_d = 0.85$

Gust Effect Factor, G [ASCE 26.9] $G = 0.85$

Lateral Loading

Velocity Pressure, q_z [ASCE 27.3.2 Eq. 27.3-1] $q_z = 0.00256 K_z K_{zt} K_d V^2$

Design Wind Pressure, p [ASCE 27.4.2 Eq. 27.4-2] $p = qG C_p$

Applied Story Forces

Lateral Load to Stories - 0°



Story	Elevation in	X-Dir kip	Y-Dir kip
Story1	435	0	119.59
Base	0	0	0

4.3 Auto Seismic Loading

Loads

5/22/2023

ASCE 7-16 Auto Seismic Load Calculation

This calculation presents the automatically generated lateral seismic loads for load pattern ELX according to ASCE 7-16, as calculated by ETABS.

Direction and Eccentricity

Direction = X

Structural Period

Period Calculation Method = Approximate

Coefficient, C_t [ASCE Table 12.8-2]

$$C_t = 0.028ft$$

Coefficient, x [ASCE Table 12.8-2]

$$x = 0.8$$

Structure Height Above Base, h_n

$$h_n = 36.25 \text{ ft}$$

Approximate Fundamental Period, T_a [ASCE 12.8.2.1 Eq. 12.8-7]

$$T_a = C_t h_n^x$$

$$T_a = 0.495 \text{ sec}$$

Long-Period Transition Period, T_L [ASCE 11.4.5]

$$T_L = 8 \text{ sec}$$

Factors and Coefficients

Response Modification Factor, R [ASCE Table 12.2-1]

$$R = 3.5$$

System Overstrength Factor, Ω_0 [ASCE Table 12.2-1]

$$\Omega_0 = 3$$

Deflection Amplification Factor, C_d [ASCE Table 12.2-1]

$$C_d = 3$$

Importance Factor, I [ASCE Table 1.5-2]

$$I = 1.25$$

S_s and S_1 Source = 0.8

Mapped MCE Spectral Response Acceleration, S_s [ASCE 11.4.2]

$$S_s = 2.291g$$

Mapped MCE Spectral Response Acceleration, S_1 [ASCE 11.4.2]

$$S_1 = 0.808g$$

Site Class [ASCE Table 20.3-1] = D - Stiff Soil

Site Coefficient, F_a [ASCE Table 11.4-1]

$$F_a = 1$$

Loads

5/22/2023

Site Coefficient, F_v [ASCE Table 11.4-2]

$$F_v = 1.7$$

Seismic Response

MCE Spectral Response Acceleration, S_{MS} [ASCE 11.4.4, Eq. 11.4-1]

$$S_{MS} = F_a S_s$$

$$S_{MS} = 2.291g$$

MCE Spectral Response Acceleration, S_{M1} [ASCE 11.4.4, Eq. 11.4-2]

$$S_{M1} = F_v S_1$$

$$S_{M1} = 1.3736g$$

Design Spectral Response Acceleration, S_{DS} [ASCE 11.4.5, Eq. 11.4-3]

$$S_{DS} = \frac{2}{3} S_{MS}$$

$$S_{DS} = 1.527333g$$

Design Spectral Response Acceleration, S_{D1} [ASCE 11.4.5, Eq. 11.4-4]

$$S_{D1} = \frac{2}{3} S_{M1}$$

$$S_{D1} = 0.915733g$$

Equivalent Lateral Forces

Seismic Response Coefficient, C_s [ASCE 12.8.1.1, Eq. 12.8-2]

$$C_s = \frac{S_{DS}}{\left(\frac{R}{T}\right)}$$

[ASCE 12.8.1.1, Eq. 12.8-3]

$$C_{s,max} = \frac{S_{D1}}{T \left(\frac{R}{T}\right)}$$

[ASCE 12.8.1.1, Eq. 12.8-5]

$$C_{s,min} = \max(0.044 S_{DS}, 0.01) = 0.084003$$

[ASCE 12.8.1.1, Eq. 12.8-6]

$$C_{s,min} = 0.5 \frac{S_1}{\left(\frac{R}{T}\right)} \text{ for } S_1 = 0.6g$$

$$C_{s,min} \leq C_s \leq C_{s,max}$$

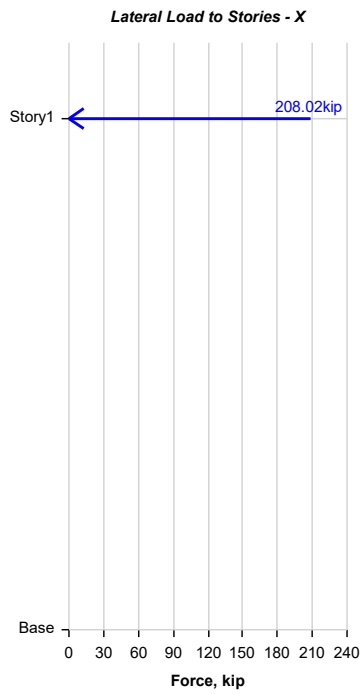
Calculated Base Shear

Direction	Period Used (sec)	C_s	W (kip)	V (kip)
X	0.495	0.545476	381.359	208.0222

Loads

5/22/2023

Applied Story Forces



Story	Elevation	X-Dir	Y-Dir
	in	kip	kip
Story1	435	208.02	0
Base	0	0	0

ASCE 7-16 Auto Seismic Load Calculation

This calculation presents the automatically generated lateral seismic loads for load pattern ELY according to ASCE 7-16, as calculated by ETABS.

Direction and Eccentricity

Direction = Y

Structural Period

Period Calculation Method = Program Calculated

Coefficient, C_t [ASCE Table 12.8-2]	$C_t = 0.028ft$
Coefficient, x [ASCE Table 12.8-2]	$x = 0.8$
Structure Height Above Base, h_n	$h_n = 36.25 ft$
Long-Period Transition Period, T_L [ASCE 11.4.5]	$T_L = 8 sec$

Factors and Coefficients

Response Modification Factor, R [ASCE Table 12.2-1]	$R = 3.5$
System Overstrength Factor, Ω_0 [ASCE Table 12.2-1]	$\Omega_0 = 3$
Deflection Amplification Factor, C_d [ASCE Table 12.2-1]	$C_d = 3$
Importance Factor, I [ASCE Table 1.5-2]	$I = 1.25$
Ss and S1 Source = 0.8	
Mapped MCE Spectral Response Acceleration, S_s [ASCE 11.4.2]	$S_s = 2.291g$
Mapped MCE Spectral Response Acceleration, S_1 [ASCE 11.4.2]	$S_1 = 0.808g$
Site Class [ASCE Table 20.3-1] = D - Stiff Soil	
Site Coefficient, F_a [ASCE Table 11.4-1]	$F_a = 1$
Site Coefficient, F_v [ASCE Table 11.4-2]	$F_v = 1.7$

Seismic Response

MCE Spectral Response Acceleration, S_{MS} [ASCE 11.4.4, Eq. 11.4-1]	$S_{MS} = F_a S_s$	$S_{MS} = 2.291g$
MCE Spectral Response Acceleration, S_{M1} [ASCE 11.4.4, Eq. 11.4-2]	$S_{M1} = F_v S_1$	$S_{M1} = 1.3736g$
Design Spectral Response Acceleration, S_{DS} [ASCE 11.4.5, Eq. 11.4-3]	$S_{DS} = \frac{2}{3} S_{MS}$	$S_{DS} = 1.527333g$
Design Spectral Response Acceleration, S_{D1} [ASCE 11.4.5, Eq. 11.4-4]	$S_{D1} = \frac{2}{3} S_{M1}$	$S_{D1} = 0.915733g$

Loads

Equivalent Lateral Forces

Seismic Response Coefficient, C_s [ASCE 12.8.1.1, Eq. 12.8-2]

$$C_s = \frac{S_{DS}}{\left(\frac{R}{I}\right)}$$

[ASCE 12.8.1.1, Eq. 12.8-3]

$$C_{s,max} = \frac{S_{D1}}{T\left(\frac{R}{I}\right)}$$

[ASCE 12.8.1.1, Eq. 12.8-5]

$$C_{s,min} = \max(0.044 S_{DS} I, 0.01) = 0.084003$$

[ASCE 12.8.1.1, Eq. 12.8-6]

$$C_{s,min} = 0.5 \frac{S_1}{\left(\frac{R}{I}\right)} \text{ for } S_1 = 0.6g$$

$$C_{s,min} \leq C_s \leq C_{s,max}$$

Calculated Base Shear

Direction	Period Used (sec)	C_s	W (kip)	V (kip)
Y	0.1	0.545476	381.359	208.0222

Applied Story Forces

Lateral Load to Stories - Y



Story	Elevation	X-Dir	Y-Dir
	in	kip	kip
Story1	435	0	208.02
Base	0	0	0

Loads

4.4 Applied Loads

4.4.1 Line Loads

Table 4.6 - Frame Loads Assignments - Distributed (Part 1 of 2)

UniqueName	Load Pattern	Story	Label	Load Type	Direction	Distance Type	Relative Distance A	Relative Distance B	Absolute Distance A in	Absolute Distance B in
589	SDL	Story1	B40	Force	Gravity	Relative	0	1	0	192
597	SDL	Story1	B41	Force	Gravity	Relative	0	1	0	192
594	SDL	Story1	B42	Force	Gravity	Relative	0	1	0	192
598	SDL	Story1	B43	Force	Gravity	Relative	0	1	0	192
591	SDL	Story1	B44	Force	Gravity	Relative	0	1	0	192
599	SDL	Story1	B45	Force	Gravity	Relative	0	1	0	192
593	SDL	Story1	B46	Force	Gravity	Relative	0	1	0	192
596	SDL	Story1	B47	Force	Gravity	Relative	0	1	0	192
604	SDL	Story1	B48	Force	Gravity	Relative	0	1	0	192
242	SDL	Story1	B49	Force	Gravity	Relative	0	1	0	192
113	SDL	Story1	B51	Force	Gravity	Relative	0	1	0	288
616	SDL	Story1	B52	Force	Gravity	Relative	0	1	0	192
628	SDL	Story1	B53	Force	Gravity	Relative	0	1	0	192
619	SDL	Story1	B54	Force	Gravity	Relative	0	1	0	192
629	SDL	Story1	B55	Force	Gravity	Relative	0	1	0	192
621	SDL	Story1	B56	Force	Gravity	Relative	0	1	0	192
630	SDL	Story1	B57	Force	Gravity	Relative	0	1	0	192
623	SDL	Story1	B58	Force	Gravity	Relative	0	1	0	192
631	SDL	Story1	B59	Force	Gravity	Relative	0	1	0	192
625	SDL	Story1	B60	Force	Gravity	Relative	0	1	0	192
632	SDL	Story1	B61	Force	Gravity	Relative	0	1	0	192
10	SDL	Story1	B71	Force	Gravity	Relative	0	1	0	96
115	SDL	Story1	B84	Force	Gravity	Relative	0	1	0	118
116	SDL	Story1	B89	Force	Gravity	Relative	0	1	0	118
657	SDL	Story1	B93	Force	Gravity	Relative	0	1	0	192
117	SDL	Story1	B105	Force	Gravity	Relative	0	1	0	118
11	SDL	Story1	B126	Force	Gravity	Relative	0	1	0	96
496	SDL	Story1	B129	Force	Gravity	Relative	0	1	0	192
528	SDL	Story1	B130	Force	Gravity	Relative	0	1	0	192
513	SDL	Story1	B131	Force	Gravity	Relative	0	1	0	192
529	SDL	Story1	B132	Force	Gravity	Relative	0	1	0	192
504	SDL	Story1	B133	Force	Gravity	Relative	0	1	0	192
530	SDL	Story1	B134	Force	Gravity	Relative	0	1	0	192
506	SDL	Story1	B135	Force	Gravity	Relative	0	1	0	192
527	SDL	Story1	B136	Force	Gravity	Relative	0	1	0	192
508	SDL	Story1	B137	Force	Gravity	Relative	0	1	0	192
531	SDL	Story1	B138	Force	Gravity	Relative	0	1	0	192
243	SDL	Story1	B140	Force	Gravity	Relative	0	1	0	288
539	SDL	Story1	B141	Force	Gravity	Relative	0	1	0	192
583	SDL	Story1	B142	Force	Gravity	Relative	0	1	0	192
542	SDL	Story1	B143	Force	Gravity	Relative	0	1	0	192

Table 4.6 - Frame Loads Assignments - Distributed (Part 1 of 2, continued)

UniqueName	Load Pattern	Story	Label	Load Type	Direction	Distance Type	Relative Distance A	Relative Distance B	Absolute Distance A in	Absolute Distance B in
584	SDL	Story1	B144	Force	Gravity	Relative	0	1	0	192
545	SDL	Story1	B145	Force	Gravity	Relative	0	1	0	192
585	SDL	Story1	B146	Force	Gravity	Relative	0	1	0	192
548	SDL	Story1	B147	Force	Gravity	Relative	0	1	0	192
586	SDL	Story1	B148	Force	Gravity	Relative	0	1	0	192
550	SDL	Story1	B149	Force	Gravity	Relative	0	1	0	192
587	SDL	Story1	B150	Force	Gravity	Relative	0	1	0	192
501	SDL	Story1	B219	Force	Gravity	Relative	0	1	0	288
605	SDL	Story1	B220	Force	Gravity	Relative	0	1	0	288
179	SDL	Story1	B7	Force	Gravity	Relative	0	1	0	102.5
182	SDL	Story1	B64	Force	Gravity	Relative	0	1	0	102.5
42	SDL	Story1	B65	Force	Gravity	Relative	0	1	0	70.5
43	SDL	Story1	B66	Force	Gravity	Relative	0	1	0	102.5
75	SDL	Story1	B67	Force	Gravity	Relative	0	1	0	70.5
76	SDL	Story1	B68	Force	Gravity	Relative	0	1	0	102.5
190	SDL	Story1	B69	Force	Gravity	Relative	0	1	0	70.5
191	SDL	Story1	B70	Force	Gravity	Relative	0	1	0	102.5
240	SDL	Story1	B73	Force	Gravity	Relative	0	1	0	70.5
241	SDL	Story1	B74	Force	Gravity	Relative	0	1	0	102.5
235	SDL	Story1	B116	Force	Gravity	Relative	0	1	0	70.5
263	SDL	Story1	B117	Force	Gravity	Relative	0	1	0	102.5
314	SDL	Story1	B119	Force	Gravity	Relative	0	1	0	70.5
315	SDL	Story1	B120	Force	Gravity	Relative	0	1	0	102.5
364	SDL	Story1	B121	Force	Gravity	Relative	0	1	0	70.5
365	SDL	Story1	B122	Force	Gravity	Relative	0	1	0	102.5
391	SDL	Story1	B123	Force	Gravity	Relative	0	1	0	70.5
392	SDL	Story1	B124	Force	Gravity	Relative	0	1	0	102.5
426	SDL	Story1	B125	Force	Gravity	Relative	0	1	0	102.5
427	SDL	Story1	B139	Force	Gravity	Relative	0	1	0	102.5
675	SDL	Story1	D83	Force	Gravity	Relative	0	0.3516	0	104
675	SDL	Story1	D83	Force	Gravity	Relative	0.3516	0.7839	104	231.8333
675	SDL	Story1	D83	Force	Gravity	Relative	0.7839	1	231.8333	295.75
143	SDL	Story1	D85	Force	Gravity	Relative	0	1	0	295.75
54	SDL	Story1	D89	Force	Gravity	Relative	0	1	0	295.75
87	SDL	Story1	D91	Force	Gravity	Relative	0	1	0	295.75
89	SDL	Story1	D92	Force	Gravity	Relative	0	1	0	295.75
293	SDL	Story1	D98	Force	Gravity	Relative	0	1	0	295.75
295	SDL	Story1	D99	Force	Gravity	Relative	0	1	0	295.75
343	SDL	Story1	D101	Force	Gravity	Relative	0	1	0	295.75
405	SDL	Story1	D105	Force	Gravity	Relative	0	1	0	295.75
700	SDL	Story1	D107	Force	Gravity	Relative	0	0.3516	0	104
700	SDL	Story1	D107	Force	Gravity	Relative	0.3516	0.7839	104	231.8333
700	SDL	Story1	D107	Force	Gravity	Relative	0.7839	1	231.8333	295.75
638	SDL	Story1	D173	Force	Gravity	Relative	0	0.3516	0	104

Table 4.6 - Frame Loads Assignments - Distributed (Part 1 of 2, continued)

UniqueName	Load Pattern	Story	Label	Load Type	Direction	Distance Type	Relative Distance A	Relative Distance B	Absolute Distance A in	Absolute Distance B in
638	SDL	Story1	D173	Force	Gravity	Relative	0.3516	0.7839	104	231.8333
638	SDL	Story1	D173	Force	Gravity	Relative	0.7839	1	231.8333	295.75
138	SDL	Story1	D175	Force	Gravity	Relative	0	1	0	295.75
53	SDL	Story1	D179	Force	Gravity	Relative	0	1	0	295.75
86	SDL	Story1	D181	Force	Gravity	Relative	0	1	0	295.75
88	SDL	Story1	D182	Force	Gravity	Relative	0	1	0	295.75
292	SDL	Story1	D188	Force	Gravity	Relative	0	1	0	295.75
294	SDL	Story1	D189	Force	Gravity	Relative	0	1	0	295.75
342	SDL	Story1	D191	Force	Gravity	Relative	0	1	0	295.75
404	SDL	Story1	D195	Force	Gravity	Relative	0	1	0	295.75
697	SDL	Story1	D197	Force	Gravity	Relative	0	0.3516	0	104
697	SDL	Story1	D197	Force	Gravity	Relative	0.3516	0.7839	104	231.8333
697	SDL	Story1	D197	Force	Gravity	Relative	0.7839	1	231.8333	295.75

Table 4.6 - Frame Loads Assignments - Distributed (Part 2 of 2)

UniqueName	Load Pattern	Force A lb/ft	Force B lb/ft
589	SDL	119	119
597	SDL	35	35
594	SDL	154	154
598	SDL	70	70
591	SDL	154	154
599	SDL	70	70
593	SDL	119	119
596	SDL	35	35
604	SDL	182	182
242	SDL	98	98
113	SDL	98	98
616	SDL	182	182
628	SDL	98	98
619	SDL	119	119
629	SDL	35	35
621	SDL	154	154
630	SDL	70	70
623	SDL	154	154
631	SDL	70	70
625	SDL	119	119
632	SDL	35	35
10	SDL	154	154
115	SDL	154	154
116	SDL	154	154
657	SDL	119	119
117	SDL	154	154

Table 4.6 - Frame Loads Assignments - Distributed (Part 2 of 2, continued)

UniqueName	Load Pattern	Force A lb/ft	Force B lb/ft
11	SDL	154	154
496	SDL	119	119
528	SDL	35	35
513	SDL	154	154
529	SDL	70	70
504	SDL	154	154
530	SDL	70	70
506	SDL	119	119
527	SDL	35	35
508	SDL	182	182
531	SDL	98	98
243	SDL	98	98
539	SDL	182	182
583	SDL	98	98
542	SDL	119	119
584	SDL	35	35
545	SDL	154	154
585	SDL	70	70
548	SDL	154	154
586	SDL	70	70
550	SDL	119	119
587	SDL	35	35
501	SDL	182	182
605	SDL	182	182
179	SDL	160	160
182	SDL	160	160
42	SDL	160	160
43	SDL	160	160
75	SDL	160	160
76	SDL	160	160
190	SDL	160	160
191	SDL	160	160
240	SDL	160	160
241	SDL	160	160
235	SDL	160	160
263	SDL	160	160
314	SDL	160	160
315	SDL	160	160
364	SDL	160	160
365	SDL	160	160
391	SDL	160	160
392	SDL	160	160
426	SDL	160	160
427	SDL	160	160

Table 4.6 - Frame Loads Assignments - Distributed (Part 2 of 2, continued)

UniqueName	Load Pattern	Force A lb/ft	Force B lb/ft
675	SDL	70	70
675	SDL	70	70
675	SDL	70	70
143	SDL	70	70
54	SDL	70	70
87	SDL	70	70
89	SDL	70	70
293	SDL	70	70
295	SDL	70	70
343	SDL	70	70
405	SDL	70	70
700	SDL	70	70
700	SDL	70	70
700	SDL	70	70
638	SDL	70	70
638	SDL	70	70
638	SDL	70	70
138	SDL	70	70
53	SDL	70	70
86	SDL	70	70
88	SDL	70	70
292	SDL	70	70
294	SDL	70	70
342	SDL	70	70
404	SDL	70	70
697	SDL	70	70
697	SDL	70	70
697	SDL	70	70

4.4.2 Area Loads

Table 4.7 - Area Load Assignments - Uniform

Story	Label	UniqueName	Load Pattern	Direction	Load lb/ft2
Story1	F1	21	SDL	Gravity	20
Story1	F2	28	SDL	Gravity	20
Story1	F3	27	SDL	Gravity	20
Story1	F4	34	SDL	Gravity	20
Story1	F5	10	SDL	Gravity	20
Story1	F6	7	SDL	Gravity	20
Story1	F7	12	SDL	Gravity	100
Story1	F8	2	SDL	Gravity	100
Story1	W1	20	SDL	Gravity	20
Story1	W2	24	SDL	Gravity	20
Story1	W3	37	SDL	Gravity	20

Table 4.7 - Area Load Assignments - Uniform (continued)

Story	Label	UniqueName	Load Pattern	Direction	Load lb/ft2
Story1	W4	32	SDL	Gravity	20
Story1	W5	11	SDL	Gravity	20
Story1	W6	6	SDL	Gravity	20
Story1	W7	25	SDL	Gravity	20
Story1	W8	31	SDL	Gravity	20
Story1	W9	15	SDL	Gravity	20
Story1	W10	13	SDL	Gravity	20
Story1	W11	1	SDL	Gravity	20
Story1	W12	3	SDL	Gravity	20
Story1	W13	39	SDL	Gravity	20
Story1	W14	29	SDL	Gravity	20
Story1	W15	49	SDL	Gravity	20
Story1	W16	60	SDL	Gravity	20
Story1	W17	61	SDL	Gravity	20
Story1	W18	55	SDL	Gravity	20
Story1	W19	56	SDL	Gravity	20
Story1	W20	57	SDL	Gravity	20
Story1	W21	36	SDL	Gravity	20
Story1	W22	48	SDL	Gravity	20
Story1	W23	22	SDL	Gravity	20
Story1	W24	26	SDL	Gravity	20
Story1	W25	35	SDL	Gravity	20
Story1	W26	38	SDL	Gravity	20
Story1	W27	47	SDL	Gravity	20
Story1	W28	50	SDL	Gravity	20
Story1	W29	46	SDL	Gravity	20
Story1	W30	51	SDL	Gravity	20
Story1	W31	18	SDL	Gravity	20
Story1	W32	16	SDL	Gravity	20
Story1	W33	14	SDL	Gravity	20
Story1	W34	4	SDL	Gravity	20
Story1	W35	59	SDL	Gravity	20
Story1	W36	58	SDL	Gravity	20
Story1	W37	54	SDL	Gravity	20
Story1	W38	53	SDL	Gravity	20
Story1	W39	52	SDL	Gravity	20
Story1	W40	45	SDL	Gravity	20
Story1	W41	5	SDL	Gravity	20
Story1	W42	33	SDL	Gravity	20
Story1	W43	9	SDL	Gravity	20
Story1	W44	42	SDL	Gravity	20
Story1	W45	40	SDL	Gravity	20
Story1	W46	63	SDL	Gravity	20
Story1	W47	64	SDL	Gravity	20
Story1	W48	67	SDL	Gravity	20

Table 4.7 - Area Load Assignments - Uniform (continued)

Story	Label	UniqueName	Load Pattern	Direction	Load lb/ft2
Story1	W49	68	SDL	Gravity	20
Story1	W50	19	SDL	Gravity	20
Story1	W51	8	SDL	Gravity	20
Story1	W52	43	SDL	Gravity	20
Story1	F1	21	RLL	Gravity	20
Story1	F2	28	RLL	Gravity	20
Story1	F3	27	RLL	Gravity	20
Story1	F4	34	RLL	Gravity	20
Story1	F5	10	RLL	Gravity	20
Story1	F6	7	RLL	Gravity	20
Story1	F7	12	RLL	Gravity	20
Story1	F8	2	RLL	Gravity	20
Story1	W1	20	RLL	Gravity	20
Story1	W2	24	RLL	Gravity	20
Story1	W3	37	RLL	Gravity	20
Story1	W4	32	RLL	Gravity	20
Story1	W5	11	RLL	Gravity	20
Story1	W6	6	RLL	Gravity	20
Story1	W7	25	RLL	Gravity	20
Story1	W8	31	RLL	Gravity	20
Story1	W9	15	RLL	Gravity	20
Story1	W10	13	RLL	Gravity	20
Story1	W11	1	RLL	Gravity	20
Story1	W12	3	RLL	Gravity	20
Story1	W13	39	RLL	Gravity	20
Story1	W14	29	RLL	Gravity	20
Story1	W15	49	RLL	Gravity	20
Story1	W16	60	RLL	Gravity	20
Story1	W17	61	RLL	Gravity	20
Story1	W18	55	RLL	Gravity	20
Story1	W19	56	RLL	Gravity	20
Story1	W20	57	RLL	Gravity	20
Story1	W21	36	RLL	Gravity	20
Story1	W22	48	RLL	Gravity	20
Story1	W23	22	RLL	Gravity	20
Story1	W24	26	RLL	Gravity	20
Story1	W25	35	RLL	Gravity	20
Story1	W26	38	RLL	Gravity	20
Story1	W27	47	RLL	Gravity	20
Story1	W28	50	RLL	Gravity	20
Story1	W29	46	RLL	Gravity	20
Story1	W30	51	RLL	Gravity	20
Story1	W31	18	RLL	Gravity	20
Story1	W32	16	RLL	Gravity	20
Story1	W33	14	RLL	Gravity	20

Table 4.7 - Area Load Assignments - Uniform (continued)

Story	Label	UniqueName	Load Pattern	Direction	Load lb/ft2
Story1	W34	4	RLL	Gravity	20
Story1	W35	59	RLL	Gravity	20
Story1	W36	58	RLL	Gravity	20
Story1	W37	54	RLL	Gravity	20
Story1	W38	53	RLL	Gravity	20
Story1	W39	52	RLL	Gravity	20
Story1	W40	45	RLL	Gravity	20
Story1	W41	5	RLL	Gravity	20
Story1	W42	33	RLL	Gravity	20
Story1	W43	9	RLL	Gravity	20
Story1	W44	42	RLL	Gravity	20
Story1	W45	40	RLL	Gravity	20
Story1	W46	63	RLL	Gravity	20
Story1	W47	64	RLL	Gravity	20
Story1	W48	67	RLL	Gravity	20
Story1	W49	68	RLL	Gravity	20
Story1	W50	19	RLL	Gravity	20
Story1	W51	8	RLL	Gravity	20
Story1	W52	43	RLL	Gravity	20

4.5 Functions

4.5.1 Time History Functions

Table 4.8 - Functions - Time History - User Defined

Name	Time sec	Value
RampTH	0	0
RampTH	1	1
RampTH	4	1
UnifTH	0	1
UnifTH	1	1

4.6 Load Cases

Table 4.9 - Load Case Definitions - Summary

Name	Type
DL	Linear Static
SDL	Linear Static
RLL	Linear Static
ELX	Linear Static
ELY	Linear Static
WLX	Linear Static
WLY	Linear Static

4.7 Load Combinations

Table 4.10 - Load Combination Definitions

Name	Type	Is Auto	Load Name	SF	Notes
ASD01	Linear Add	No	DL	1	
ASD01			SDL	1	
ASD02	Linear Add	No	DL	1	
ASD02			SDL	1	
ASD02			RLL	1	
IBC01	Linear Add	No	DL	1.2	
IBC01			SDL	1.2	
IBC02	Linear Add	No	DL	1.2	
IBC02			SDL	1.2	
IBC02			RLL	1.6	
IBC04XA	Linear Add	No	DL	1.2	
IBC04XA			SDL	1.2	
IBC04XA			RLL	0.5	
IBC04XA			WLX	1	
IBC04XB	Linear Add	No	DL	1.2	
IBC04XB			SDL	1.2	
IBC04XB			RLL	0.5	
IBC04XB			WLX	-1	
IBC04YA	Linear Add	No	DL	1.2	
IBC04YA			SDL	1.2	
IBC04YA			RLL	0.5	
IBC04YA			WLY	1	
IBC04YB	Linear Add	No	DL	1.2	
IBC04YB			SDL	1.2	
IBC04YB			RLL	0.5	
IBC04YB			WLY	-1	
IBC05XA	Linear Add	No	DL	1.505	
IBC05XA			SDL	1.505	
IBC05XA			ELX	1	
IBC05XB	Linear Add	No	DL	1.505	
IBC05XB			SDL	1.505	
IBC05XB			ELX	-1	
IBC05YA	Linear Add	No	DL	1.505	
IBC05YA			SDL	1.505	
IBC05YA			ELY	1	
IBC05YB	Linear Add	No	DL	1.505	
IBC05YB			SDL	1.505	
IBC05YB			ELY	-1	
IBC06XA	Linear Add	No	DL	0.9	
IBC06XA			SDL	0.9	
IBC06XA			WLX	1	
IBC06XB	Linear Add	No	DL	0.9	
IBC06XB			SDL	0.9	
IBC06XB			WLX	-1	

Table 4.10 - Load Combination Definitions (continued)

Name	Type	Is Auto	Load Name	SF	Notes
IBC06YA	Linear Add	No	DL	0.9	
IBC06YA			SDL	0.9	
IBC06YA			WLY	1	
IBC06YB	Linear Add	No	DL	0.9	
IBC06YB			SDL	0.9	
IBC06YB			WLY	-1	
IBC07XA	Linear Add	No	DL	0.595	
IBC07XA			SDL	0.595	
IBC07XA			ELX	1	
IBC07XB	Linear Add	No	DL	0.595	
IBC07XB			SDL	0.595	
IBC07XB			ELX	-1	
IBC07YA	Linear Add	No	DL	0.595	
IBC07YA			SDL	0.595	
IBC07YA			ELY	1	
IBC07YB	Linear Add	No	DL	0.595	
IBC07YB			SDL	0.595	
IBC07YB			ELY	-1	
IBC17	Linear Add	No	DL	1	
IBC17			SDL	1	
IBC17			RLL	1	
IBC18XA	Linear Add	No	DL	1	
IBC18XA			SDL	1	
IBC18XA			WLX	0.78	
IBC18XB	Linear Add	No	DL	1	
IBC18XB			SDL	1	
IBC18XB			WLX	-0.78	
IBC18YA	Linear Add	No	DL	1	
IBC18YA			SDL	1	
IBC18YA			WLY	0.78	
IBC18YB	Linear Add	No	DL	1	
IBC18YB			SDL	1	
IBC18YB			WLY	0.78	
IBC19XA	Linear Add	No	DL	0.667	
IBC19XA			SDL	0.667	
IBC19XA			WLX	0.78	
IBC19XB	Linear Add	No	DL	0.667	
IBC19XB			SDL	0.667	
IBC19XB			WLX	-0.78	
IBC19YA	Linear Add	No	DL	0.667	
IBC19YA			SDL	0.667	
IBC19YA			WLY	0.78	
IBC19YB	Linear Add	No	DL	0.667	
IBC19YB			SDL	0.667	
IBC19YB			WLY	-0.78	

Table 4.10 - Load Combination Definitions (continued)

Name	Type	Is Auto	Load Name	SF	Notes
IBC21XA	Linear Add	No	DL	1	
IBC21XA			SDL	1	
IBC21XA			ELX	0.714	
IBC21XB	Linear Add	No	DL	1	
IBC21XB			SDL	1	
IBC21XB			ELX	-0.714	
IBC21YA	Linear Add	No	DL	1	
IBC21YA			SDL	1	
IBC21YA			ELY	0.714	
IBC21YB	Linear Add	No	DL	1	
IBC21YB			SDL	1	
IBC21YB			ELY	-0.714	
IBC22XA	Linear Add	No	DL	0.9	
IBC22XA			SDL	0.9	
IBC22XA			ELX	0.714	
IBC22XB	Linear Add	No	DL	0.9	
IBC22XB			SDL	0.9	
IBC22XB			ELX	-0.714	
IBC22YA	Linear Add	No	DL	0.9	
IBC22YA			SDL	0.9	
IBC22YA			ELY	0.714	
IBC22YB	Linear Add	No	DL	0.9	
IBC22YB			SDL	0.9	
IBC22YB			ELY	-0.714	

5 Design Data

This chapter provides design data and results.

5.1 Steel Frame Design

Table 5.1 - Steel Frame Design Preferences - AISC 360-16

Item	Value
Multi-Response Design	Step-by-Step - All
Frame Type	OMF
Seismic Design Category	E
Importance Factor	1.25
Design System Rho	1
Design System Sds	1.527
Design System R	3.5
Design System Omega0	3
Design System Cd	3
Design Provision	LRFD
Analysis Method	Direct Analysis
Second Order Method	General 2nd Order
Stiffness Reduction Method	Tau-b Fixed
Add Notional Load Case	No
Beta Factor	1.3
Beta Omega Factor	1.6
Phi (Bending)	0.9
Phi (Compression)	0.9
Phi (Tension-Yielding)	0.9
Phi (Tension-Fracture)	0.75
Phi (Shear)	0.9
Phi (Shear-Short Webbed Rolled I)	1
Phi (Torsion)	0.9
Ignore Seismic Code?	No
Ignore Special Seismic Load?	No
Doubler Plate Plug-Welded?	Yes
HSS Welding Type	ERW
Reduced HSS Thickness	No
Consider Deflection?	Yes
DL Ratio	120
SDL+LL Ratio	120
LL Ratio	360
Total Ratio	240
Total Camber Limit	240
Pattern Live Load Factor	0.75
D/C Ratio Limit	0.95
Maximum Iterations	1

Table 5.2 - Steel Frame Design Summary - AISC 360-16 (Part 1 of 2)

UniqueName	Story	Label	Design Type	Design Section	Status	PMM Combo	PMM Ratio	P Ratio	M Major Ratio
264	Story1	C1	Column	HSS10X10X1/4	No Message	IBC05XB(C)	0.403	0.01	0.384
264	Story1	C1	Column	HSS10X10X1/4	No Message	IBC05XB(T)	0.362	0.009	0.349
137	Story1	C2	Column	HSS10X10X1/4	No Message	IBC05XA(C)	0.436	0.016	0.411
137	Story1	C2	Column	HSS10X10X1/4	No Message	IBC05XA(T)	0.4	0.004	0.391
125	Story1	C3	Column	HSS10X10X1/4	No Message	IBC05XB(C)	0.482	0.011	0.423
125	Story1	C3	Column	HSS10X10X1/4	No Message	IBC05XB(T)	0.267	0.009	0.018
686	Story1	C4	Column	HSS10X10X1/4	No Message	IBC05XB(C)	0.159	0.001	0.145
686	Story1	C4	Column	HSS10X10X1/4	No Message	IBC05XB(T)	0.107	0	0.071
46	Story1	C5	Column	HSS10X10X1/4	No Message	IBC05XB(C)	0.479	0.01	0.396
46	Story1	C5	Column	HSS10X10X1/4	No Message	IBC05XB(T)	0.379	0.001	0.371
687	Story1	C6	Column	HSS10X10X1/4	No Message	IBC05XA(C)	0.384	0	0.344
687	Story1	C6	Column	HSS10X10X1/4	No Message	IBC05XA(T)	0.345	0.001	0.313
19	Story1	C7	Column	HSS10X10X1/4	No Message	IBC05XB(C)	0.497	0.004	0.386
19	Story1	C7	Column	HSS10X10X1/4	No Message	IBC05XB(T)	0.424	0.0003685	0.362
80	Story1	C8	Column	HSS10X10X1/4	No Message	IBC05YB(C)	0.483	0.035	0.021
80	Story1	C8	Column	HSS10X10X1/4	No Message	IBC05YB(T)	0.39	0.023	0.042
212	Story1	C9	Column	HSS10X10X1/4	No Message	IBC05YB(C)	0.523	0.028	0.015
212	Story1	C9	Column	HSS10X10X1/4	No Message	IBC05YB(T)	0.432	0.005	0.373
211	Story1	C11	Column	HSS10X10X1/4	No Message	IBC05YB(C)	0.515	0.029	0.012
211	Story1	C11	Column	HSS10X10X1/4	No Message	IBC05YB(T)	0.432	0.005	0.373
286	Story1	C12	Column	HSS10X10X1/4	No Message	IBC05YB(C)	0.476	0.034	0.02
286	Story1	C12	Column	HSS10X10X1/4	No Message	IBC05YB(T)	0.385	0.023	0.042
336	Story1	C13	Column	HSS10X10X1/4	No Message	IBC05XA(C)	0.495	0.004	0.386
336	Story1	C13	Column	HSS10X10X1/4	No Message	IBC05XA(T)	0.424	0.000394	0.362
648	Story1	C14	Column	HSS10X10X1/4	No Message	IBC05XB(C)	0.385	0	0.344
648	Story1	C14	Column	HSS10X10X1/4	No Message	IBC05XB(T)	0.346	0.001	0.313
395	Story1	C15	Column	HSS10X10X1/4	No Message	IBC05XA(C)	0.477	0.01	0.395
395	Story1	C15	Column	HSS10X10X1/4	No Message	IBC05XA(T)	0.379	0.001	0.371
574	Story1	C16	Column	HSS10X10X1/4	No Message	IBC05XA(C)	0.157	0.001	0.144
574	Story1	C16	Column	HSS10X10X1/4	No Message	IBC05XA(T)	0.104	0	0.07
398	Story1	C17	Column	HSS10X10X1/4	No Message	IBC05XA(C)	0.482	0.011	0.423
398	Story1	C17	Column	HSS10X10X1/4	No Message	IBC05XA(T)	0.263	0.009	0.018
439	Story1	C18	Column	HSS10X10X1/4	No Message	IBC05XB(C)	0.437	0.016	0.411
439	Story1	C18	Column	HSS10X10X1/4	No Message	IBC05XB(T)	0.4	0.004	0.391
476	Story1	C19	Column	HSS10X10X1/4	No Message	IBC05XA(C)	0.403	0.01	0.384
476	Story1	C19	Column	HSS10X10X1/4	No Message	IBC05XA(T)	0.362	0.009	0.349
118	Story1	C20	Column	HSS10X10X1/4	No Message	IBC05XB(C)	0.383	0.023	0.345
118	Story1	C20	Column	HSS10X10X1/4	No Message	IBC05XB(T)	0.338	0.014	0.314
13	Story1	C21	Column	HSS10X10X3/8	No Message	IBC05XA(C)	0.329	0.029	0.299
13	Story1	C21	Column	HSS10X10X3/8	No Message	IBC05XA(T)	0.316	0.006	0.306
175	Story1	C22	Column	HSS10X10X3/8	No Message	IBC05XB(C)	0.387	0.039	0.313
517	Story1	C23	Column	HSS10X10X1/4	No Message	IBC05XA(C)	0.202	0.002	0.187
517	Story1	C23	Column	HSS10X10X1/4	No Message	IBC05XA(T)	0.198	0.002	0.167
40	Story1	C24	Column	HSS10X10X3/8	No Message	IBC05XB(C)	0.41	0.039	0.301
690	Story1	C25	Column	HSS10X10X1/4	No Message	IBC07XA(C)	0.372	0.001	0.337

Table 5.2 - Steel Frame Design Summary - AISC 360-16 (Part 1 of 2, continued)

UniqueName	Story	Label	Design Type	Design Section	Status	PMM Combo	PMM Ratio	P Ratio	M Major Ratio
690	Story1	C25	Column	HSS10X10X1/4	No Message	IBC07XA(T)	0.35	0.001	0.342
73	Story1	C26	Column	HSS10X10X3/8	No Message	IBC05XB(C)	0.486	0.047	0.347
73	Story1	C26	Column	HSS10X10X3/8	No Message	IBC05XB(T)	0.346	0.002	0.01
186	Story1	C27	Column	HSS10X10X5/8	No Message	IBC05XB(C)	0.83	0.052	0.748
186	Story1	C27	Column	HSS10X10X5/8	No Message	IBC05XB(T)	0.793	0.008	0.764
238	Story1	C28	Column	HSS10X10X3/8	No Message	IBC05XA(C)	0.714	0.035	0.673
238	Story1	C28	Column	HSS10X10X3/8	No Message	IBC05XA(T)	0.495	0.004	0.428
233	Story1	C30	Column	HSS10X10X3/8	No Message	IBC05XB(C)	0.714	0.034	0.673
233	Story1	C30	Column	HSS10X10X3/8	No Message	IBC05XB(T)	0.495	0.004	0.428
312	Story1	C31	Column	HSS10X10X5/8	No Message	IBC05XA(C)	0.828	0.052	0.748
312	Story1	C31	Column	HSS10X10X5/8	No Message	IBC05XA(T)	0.792	0.008	0.764
362	Story1	C32	Column	HSS10X10X3/8	No Message	IBC05XA(C)	0.482	0.046	0.346
362	Story1	C32	Column	HSS10X10X3/8	No Message	IBC05XA(T)	0.342	0.002	0.011
673	Story1	C33	Column	HSS10X10X1/4	No Message	IBC05XB(C)	0.373	0.001	0.325
673	Story1	C33	Column	HSS10X10X1/4	No Message	IBC05XB(T)	0.349	0.001	0.331
389	Story1	C34	Column	HSS10X10X3/8	No Message	IBC05XA(C)	0.409	0.039	0.301
576	Story1	C35	Column	HSS10X10X1/4	No Message	IBC05XB(C)	0.201	0.002	0.187
576	Story1	C35	Column	HSS10X10X1/4	No Message	IBC05XB(T)	0.196	0.002	0.166
424	Story1	C36	Column	HSS10X10X3/8	No Message	IBC05XA(C)	0.387	0.039	0.313
467	Story1	C37	Column	HSS10X10X3/8	No Message	IBC05XB(C)	0.33	0.028	0.299
467	Story1	C37	Column	HSS10X10X3/8	No Message	IBC05XB(T)	0.316	0.006	0.306
477	Story1	C38	Column	HSS10X10X1/4	No Message	IBC05XA(C)	0.383	0.023	0.345
477	Story1	C38	Column	HSS10X10X1/4	No Message	IBC05XA(T)	0.338	0.014	0.314
124	Story1	C39	Column	HSS6X4X1/4	No Message	IBC07YB(C)	0.049	0.049	0
124	Story1	C39	Column	HSS6X4X1/4	No Message	IBC07YB(T)	0.001	0	0
149	Story1	C40	Column	HSS6X4X1/4	No Message	IBC07YB(C)	0.071	0.071	0
24	Story1	C42	Column	HSS6X4X1/4	No Message	IBC07XB(C)	0.059	0.059	0
57	Story1	C44	Column	HSS6X4X1/4	No Message	IBC07XB(C)	0.093	0.093	0
197	Story1	C46	Column	HSS6X4X1/4	No Message	IBC07YB(C)	0.262	0.262	0
90	Story1	C47	Column	HSS6X4X1/4	No Message	IBC07YB(C)	0.242	0.242	0
247	Story1	C49	Column	HSS6X4X1/4	No Message	IBC07XB(C)	0.065	0.065	0
269	Story1	C51	Column	HSS6X4X1/4	No Message	IBC07XB(C)	0.064	0.064	0
321	Story1	C53	Column	HSS6X4X1/4	No Message	IBC07YB(C)	0.256	0.256	0
296	Story1	C54	Column	HSS6X4X1/4	No Message	IBC07YB(C)	0.236	0.236	0
346	Story1	C56	Column	HSS6X4X1/4	No Message	IBC07XB(C)	0.091	0.091	0
373	Story1	C58	Column	HSS6X4X1/4	No Message	IBC07XB(C)	0.058	0.058	0
408	Story1	C60	Column	HSS6X4X1/4	No Message	IBC07YB(C)	0.071	0.071	0
449	Story1	C62	Column	HSS6X4X1/4	No Message	IBC07YB(C)	0.048	0.048	0
449	Story1	C62	Column	HSS6X4X1/4	No Message	IBC07YB(T)	0.002	0.0002874	0
103	Story1	C63	Column	HSS10X10X1/4	No Message	IBC05YA(C)	0.319	0.014	0.004
103	Story1	C63	Column	HSS10X10X1/4	No Message	IBC05YA(T)	0.097	0.001	0.089
679	Story1	C64	Column	HSS10X10X1/4	No Message	IBC05YA(C)	0.313	0.01	0.004
679	Story1	C64	Column	HSS10X10X1/4	No Message	IBC05YA(T)	0.279	0.001	0.000273
127	Story1	C65	Column	HSS6X4X1/4	No Message	IBC07YB(C)	0.037	0.037	0

Table 5.2 - Steel Frame Design Summary - AISC 360-16 (Part 1 of 2, continued)

UniqueName	Story	Label	Design Type	Design Section	Status	PMM Combo	PMM Ratio	P Ratio	M Major Ratio
127	Story1	C65	Column	HSS6X4X1/4	No Message	IBC07YB(T)	0.003	0.003	0
150	Story1	C66	Column	HSS6X4X1/4	No Message	IBC07YB(C)	0.058	0.058	0
25	Story1	C67	Column	HSS6X4X1/4	No Message	IBC07XB(C)	0.047	0.047	0
58	Story1	C68	Column	HSS6X4X1/4	No Message	IBC07XB(C)	0.077	0.077	0
198	Story1	C69	Column	HSS6X4X1/4	No Message	IBC07YB(C)	0.26	0.26	0
91	Story1	C70	Column	HSS6X4X1/4	No Message	IBC07YB(C)	0.27	0.27	0
248	Story1	C71	Column	HSS6X4X1/4	No Message	IBC07XB(C)	0.047	0.047	0
270	Story1	C72	Column	HSS6X4X1/4	No Message	IBC07XB(C)	0.046	0.046	0
322	Story1	C73	Column	HSS6X4X1/4	No Message	IBC07YB(C)	0.254	0.254	0
297	Story1	C74	Column	HSS6X4X1/4	No Message	IBC07YB(C)	0.263	0.263	0
347	Story1	C75	Column	HSS6X4X1/4	No Message	IBC07XB(C)	0.075	0.075	0
374	Story1	C76	Column	HSS6X4X1/4	No Message	IBC07XB(C)	0.047	0.047	0
409	Story1	C77	Column	HSS6X4X1/4	No Message	IBC07YB(C)	0.057	0.057	0
450	Story1	C78	Column	HSS6X4X1/4	No Message	IBC07YB(C)	0.037	0.037	0
450	Story1	C78	Column	HSS6X4X1/4	No Message	IBC07YB(T)	0.003	0.003	0
132	Story1	C79	Column	HSS6X4X1/4	No Message	IBC07YB(C)	0.038	0.038	0
159	Story1	C80	Column	HSS6X4X1/4	No Message	IBC07YB(C)	0.042	0.042	0
159	Story1	C80	Column	HSS6X4X1/4	No Message	IBC07YB(T)	0.004	0.004	0
26	Story1	C81	Column	HSS6X4X1/4	No Message	IBC07XB(C)	0.031	0.031	0
59	Story1	C82	Column	HSS6X4X1/4	No Message	IBC07XB(C)	0.056	0.056	0
199	Story1	C83	Column	HSS6X4X1/4	No Message	IBC07YB(C)	0.091	0.091	0
199	Story1	C83	Column	HSS6X4X1/4	No Message	IBC07YB(T)	0.069	0.069	0
92	Story1	C84	Column	HSS6X4X1/4	No Message	IBC07YB(C)	0.237	0.237	0
249	Story1	C85	Column	HSS6X4X1/4	No Message	IBC07XB(C)	0.033	0.033	0
271	Story1	C86	Column	HSS6X4X1/4	No Message	IBC07XB(C)	0.031	0.031	0
323	Story1	C87	Column	HSS6X4X1/4	No Message	IBC07YB(C)	0.089	0.089	0
323	Story1	C87	Column	HSS6X4X1/4	No Message	IBC07YB(T)	0.068	0.068	0
298	Story1	C88	Column	HSS6X4X1/4	No Message	IBC07YB(C)	0.231	0.231	0
348	Story1	C89	Column	HSS6X4X1/4	No Message	IBC07XB(C)	0.055	0.055	0
375	Story1	C90	Column	HSS6X4X1/4	No Message	IBC07XB(C)	0.03	0.03	0
410	Story1	C91	Column	HSS6X4X1/4	No Message	IBC07YB(C)	0.041	0.041	0
410	Story1	C91	Column	HSS6X4X1/4	No Message	IBC07YB(T)	0.004	0.004	0
451	Story1	C92	Column	HSS6X4X1/4	No Message	IBC07YB(C)	0.038	0.038	0
123	Story1	C93	Column	HSS10X10X1/4	No Message	IBC07XB(C)	0.346	0.021	0.315
123	Story1	C93	Column	HSS10X10X1/4	No Message	IBC07XB(T)	0.328	0.01	0.304
106	Story1	C94	Column	HSS10X10X1/4	No Message	IBC05XA(C)	0.405	0.036	0.368
106	Story1	C94	Column	HSS10X10X1/4	No Message	IBC05XA(T)	0.338	0.004	0.334
681	Story1	C95	Column	HSS10X10X1/4	No Message	IBC05XB(C)	0.402	0.033	0.368
681	Story1	C95	Column	HSS10X10X1/4	No Message	IBC05XB(T)	0.339	0.005	0.333
478	Story1	C96	Column	HSS10X10X1/4	No Message	IBC07XA(C)	0.345	0.021	0.315
478	Story1	C96	Column	HSS10X10X1/4	No Message	IBC07XA(T)	0.328	0.01	0.305
105	Story1	C97	Column	HSS6X4X1/4	No Message	IBC02(C)	0.013	0.013	0
122	Story1	C98	Column	HSS6X4X1/4	No Message	(T)	0.079	0.079	0
17	Story1	C99	Column	HSS6X4X1/4	No Message	(T)	0.207	0.207	0

Table 5.2 - Steel Frame Design Summary - AISC 360-16 (Part 1 of 2, continued)

UniqueName	Story	Label	Design Type	Design Section	Status	PMM Combo	PMM Ratio	P Ratio	M Major Ratio
18	Story1	C100	Column	HSS6X4X1/4	No Message	(T)	0.444	0.444	0
194	Story1	C101	Column	HSS6X4X1/4	No Message	(T)	0.322	0.322	0
79	Story1	C102	Column	HSS6X4X1/4	No Message	(T)	0.215	0.215	0
244	Story1	C103	Column	HSS6X4X1/4	No Message	(T)	0.253	0.253	0
266	Story1	C104	Column	HSS6X4X1/4	No Message	(T)	0.253	0.253	0
318	Story1	C105	Column	HSS6X4X1/4	No Message	(T)	0.314	0.314	0
285	Story1	C106	Column	HSS6X4X1/4	No Message	(T)	0.207	0.207	0
335	Story1	C107	Column	HSS6X4X1/4	No Message	(T)	0.434	0.434	0
368	Story1	C108	Column	HSS6X4X1/4	No Message	(T)	0.205	0.205	0
397	Story1	C109	Column	HSS6X4X1/4	No Message	(T)	0.079	0.079	0
431	Story1	C110	Column	HSS6X4X1/4	No Message	IBC02(C)	0.013	0.013	0
126	Story1	C111	Column	HSS10X10X1/4	No Message	IBC05XB(C)	0.34	0.025	0.31
126	Story1	C111	Column	HSS10X10X1/4	No Message	IBC05XB(T)	0.317	0.013	0.3
492	Story1	C112	Column	HSS10X10X1/4	No Message	IBC05XA(C)	0.417	0.037	0.367
492	Story1	C112	Column	HSS10X10X1/4	No Message	IBC05XA(T)	0.343	0.004	0.333
685	Story1	C113	Column	HSS10X10X1/4	No Message	IBC05XB(C)	0.414	0.033	0.368
685	Story1	C113	Column	HSS10X10X1/4	No Message	IBC05XB(T)	0.344	0.005	0.332
479	Story1	C114	Column	HSS10X10X1/4	No Message	IBC05XA(C)	0.34	0.025	0.31
479	Story1	C114	Column	HSS10X10X1/4	No Message	IBC05XA(T)	0.317	0.01	0.304
135	Story1	C115	Column	HSS6X4X1/4	No Message	IBC07YB(C)	0.037	0.037	0
160	Story1	C116	Column	HSS6X4X1/4	No Message	IBC07YB(C)	0.037	0.037	0
160	Story1	C116	Column	HSS6X4X1/4	No Message	IBC07YB(T)	0.001	0.001	0
27	Story1	C117	Column	HSS6X4X1/4	No Message	IBC07XB(C)	0.033	0.033	0
60	Story1	C118	Column	HSS6X4X1/4	No Message	IBC07XB(C)	0.047	0.047	0
200	Story1	C119	Column	HSS6X4X1/4	No Message	IBC07YB(C)	0.092	0.092	0
200	Story1	C119	Column	HSS6X4X1/4	No Message	IBC07YB(T)	0.069	0.069	0
93	Story1	C120	Column	HSS6X4X1/4	No Message	IBC07YB(C)	0.232	0.232	0
250	Story1	C121	Column	HSS6X4X1/4	No Message	IBC07XB(C)	0.031	0.031	0
272	Story1	C122	Column	HSS6X4X1/4	No Message	IBC07XB(C)	0.03	0.03	0
324	Story1	C123	Column	HSS6X4X1/4	No Message	IBC07YB(C)	0.09	0.09	0
324	Story1	C123	Column	HSS6X4X1/4	No Message	IBC07YB(T)	0.069	0.069	0
299	Story1	C124	Column	HSS6X4X1/4	No Message	IBC07YB(C)	0.226	0.226	0
349	Story1	C125	Column	HSS6X4X1/4	No Message	IBC07XB(C)	0.046	0.046	0
376	Story1	C126	Column	HSS6X4X1/4	No Message	IBC07XB(C)	0.032	0.032	0
411	Story1	C127	Column	HSS6X4X1/4	No Message	IBC07YB(C)	0.036	0.036	0
411	Story1	C127	Column	HSS6X4X1/4	No Message	IBC07YB(T)	0.001	0.001	0
452	Story1	C128	Column	HSS6X4X1/4	No Message	IBC07YB(C)	0.037	0.037	0
140	Story1	C129	Column	HSS6X4X1/4	No Message	IBC07YB(C)	0.037	0.037	0
140	Story1	C129	Column	HSS6X4X1/4	No Message	IBC07YB(T)	0.002	0.002	0
161	Story1	C130	Column	HSS6X4X1/4	No Message	IBC07YB(C)	0.052	0.052	0
28	Story1	C131	Column	HSS6X4X1/4	No Message	IBC07XB(C)	0.049	0.049	0
61	Story1	C132	Column	HSS6X4X1/4	No Message	IBC07XB(C)	0.068	0.068	0
201	Story1	C133	Column	HSS6X4X1/4	No Message	IBC07YB(C)	0.256	0.256	0
94	Story1	C134	Column	HSS6X4X1/4	No Message	IBC07YB(C)	0.265	0.265	0

Table 5.2 - Steel Frame Design Summary - AISC 360-16 (Part 1 of 2, continued)

UniqueName	Story	Label	Design Type	Design Section	Status	PMM Combo	PMM Ratio	P Ratio	M Major Ratio
251	Story1	C135	Column	HSS6X4X1/4	No Message	IBC07XB(C)	0.046	0.046	0
273	Story1	C136	Column	HSS6X4X1/4	No Message	IBC07XB(C)	0.045	0.045	0
325	Story1	C137	Column	HSS6X4X1/4	No Message	IBC07YB(C)	0.25	0.25	0
300	Story1	C138	Column	HSS6X4X1/4	No Message	IBC07YB(C)	0.258	0.258	0
350	Story1	C139	Column	HSS6X4X1/4	No Message	IBC07XB(C)	0.066	0.066	0
377	Story1	C140	Column	HSS6X4X1/4	No Message	IBC07XB(C)	0.048	0.048	0
412	Story1	C141	Column	HSS6X4X1/4	No Message	IBC07YB(C)	0.052	0.052	0
453	Story1	C142	Column	HSS6X4X1/4	No Message	IBC07YB(C)	0.037	0.037	0
453	Story1	C142	Column	HSS6X4X1/4	No Message	IBC07YB(T)	0.002	0.002	0
522	Story1	C143	Column	HSS10X10X1/4	No Message	IBC05YB(C)	0.315	0.014	0.002
522	Story1	C143	Column	HSS10X10X1/4	No Message	IBC05YB(T)	0.098	0.001	0.088
691	Story1	C144	Column	HSS10X10X1/4	No Message	IBC05YB(C)	0.308	0.011	0.002
691	Story1	C144	Column	HSS10X10X1/4	No Message	IBC05YB(T)	0.282	0.001	0.002
148	Story1	C145	Column	HSS6X4X1/4	No Message	IBC07YB(C)	0.049	0.049	0
162	Story1	C146	Column	HSS6X4X1/4	No Message	IBC07YB(C)	0.066	0.066	0
29	Story1	C148	Column	HSS6X4X1/4	No Message	IBC07XB(C)	0.061	0.061	0
62	Story1	C150	Column	HSS6X4X1/4	No Message	IBC07XB(C)	0.084	0.084	0
202	Story1	C152	Column	HSS6X4X1/4	No Message	IBC07YB(C)	0.257	0.257	0
95	Story1	C153	Column	HSS6X4X1/4	No Message	IBC07YB(C)	0.237	0.237	0
252	Story1	C155	Column	HSS6X4X1/4	No Message	IBC07XB(C)	0.064	0.064	0
274	Story1	C157	Column	HSS6X4X1/4	No Message	IBC07XB(C)	0.063	0.063	0
326	Story1	C159	Column	HSS6X4X1/4	No Message	IBC07YB(C)	0.251	0.251	0
301	Story1	C160	Column	HSS6X4X1/4	No Message	IBC07YB(C)	0.231	0.231	0
351	Story1	C162	Column	HSS6X4X1/4	No Message	IBC07XB(C)	0.082	0.082	0
378	Story1	C164	Column	HSS6X4X1/4	No Message	IBC07XB(C)	0.06	0.06	0
413	Story1	C166	Column	HSS6X4X1/4	No Message	IBC07YB(C)	0.065	0.065	0
454	Story1	C168	Column	HSS6X4X1/4	No Message	IBC07YB(C)	0.048	0.048	0
131	Story1	C169	Column	HSS10X10X1/4	No Message	IBC05XB(C)	0.374	0.023	0.339
131	Story1	C169	Column	HSS10X10X1/4	No Message	IBC05XB(T)	0.321	0.016	0.305
15	Story1	C170	Column	HSS10X10X3/8	No Message	IBC05XA(C)	0.334	0.03	0.294
15	Story1	C170	Column	HSS10X10X3/8	No Message	IBC05XA(T)	0.308	0.006	0.3
176	Story1	C171	Column	HSS10X10X3/8	No Message	IBC05XB(C)	0.38	0.041	0.322
41	Story1	C172	Column	HSS10X10X3/8	No Message	IBC05YA(C)	0.377	0.038	0.046
74	Story1	C173	Column	HSS10X10X3/8	No Message	IBC05XB(C)	0.514	0.043	0.374
74	Story1	C173	Column	HSS10X10X3/8	No Message	IBC05XB(T)	0.335	0.0001649	0.315
189	Story1	C174	Column	HSS10X10X5/8	No Message	IBC05XA(C)	0.799	0.005	0.749
189	Story1	C174	Column	HSS10X10X5/8	No Message	IBC05XA(T)	0.77	0.008	0.74
239	Story1	C175	Column	HSS10X10X3/8	No Message	IBC05XA(C)	0.714	0.035	0.672
239	Story1	C175	Column	HSS10X10X3/8	No Message	IBC05XA(T)	0.497	0.004	0.43
234	Story1	C177	Column	HSS10X10X3/8	No Message	IBC05XB(C)	0.714	0.035	0.672
234	Story1	C177	Column	HSS10X10X3/8	No Message	IBC05XB(T)	0.497	0.004	0.43
313	Story1	C178	Column	HSS10X10X5/8	No Message	IBC05XB(C)	0.797	0.005	0.749
313	Story1	C178	Column	HSS10X10X5/8	No Message	IBC05XB(T)	0.769	0.008	0.739
363	Story1	C179	Column	HSS10X10X3/8	No Message	IBC05XA(C)	0.509	0.043	0.373

Table 5.2 - Steel Frame Design Summary - AISC 360-16 (Part 1 of 2, continued)

UniqueName	Story	Label	Design Type	Design Section	Status	PMM Combo	PMM Ratio	P Ratio	M Major Ratio
363	Story1	C179	Column	HSS10X10X3/8	No Message	IBC05XA(T)	0.337	0.0003349	0.316
390	Story1	C180	Column	HSS10X10X3/8	No Message	IBC05YA(C)	0.372	0.038	0.046
425	Story1	C181	Column	HSS10X10X3/8	No Message	IBC05XA(C)	0.38	0.041	0.323
468	Story1	C182	Column	HSS10X10X3/8	No Message	IBC05XB(C)	0.331	0.029	0.294
468	Story1	C182	Column	HSS10X10X3/8	No Message	IBC05XB(T)	0.309	0.006	0.3
480	Story1	C183	Column	HSS10X10X1/4	No Message	IBC05XA(C)	0.374	0.023	0.34
480	Story1	C183	Column	HSS10X10X1/4	No Message	IBC05XA(T)	0.321	0.016	0.304
134	Story1	C184	Column	HSS10X10X1/4	No Message	IBC05XB(C)	0.391	0.01	0.374
134	Story1	C184	Column	HSS10X10X1/4	No Message	IBC05XB(T)	0.354	0.009	0.341
139	Story1	C185	Column	HSS10X10X1/4	No Message	IBC05XA(C)	0.422	0.016	0.402
139	Story1	C185	Column	HSS10X10X1/4	No Message	IBC05XA(T)	0.387	0.004	0.381
128	Story1	C186	Column	HSS10X10X1/4	No Message	IBC05XB(C)	0.489	0.021	0.43
128	Story1	C186	Column	HSS10X10X1/4	No Message	IBC05XB(T)	0.262	0.004	0.015
48	Story1	C187	Column	HSS10X10X1/4	No Message	IBC05XB(C)	0.495	0.032	0.388
47	Story1	C188	Column	HSS10X10X1/4	No Message	IBC05YA(C)	0.489	0.046	0.017
47	Story1	C188	Column	HSS10X10X1/4	No Message	IBC05YA(T)	0.338	0.019	0.018
81	Story1	C189	Column	HSS10X10X1/4	No Message	IBC05YA(C)	0.489	0.035	0.027
81	Story1	C189	Column	HSS10X10X1/4	No Message	IBC05YA(T)	0.388	0.023	0.044
213	Story1	C190	Column	HSS10X10X1/4	No Message	IBC05YA(C)	0.528	0.028	0.017
213	Story1	C190	Column	HSS10X10X1/4	No Message	IBC05YA(T)	0.434	0.005	0.377
214	Story1	C192	Column	HSS10X10X1/4	No Message	IBC05YA(C)	0.52	0.029	0.014
214	Story1	C192	Column	HSS10X10X1/4	No Message	IBC05YA(T)	0.434	0.005	0.377
287	Story1	C193	Column	HSS10X10X1/4	No Message	IBC05YA(C)	0.483	0.034	0.027
287	Story1	C193	Column	HSS10X10X1/4	No Message	IBC05YA(T)	0.384	0.023	0.044
337	Story1	C194	Column	HSS10X10X1/4	No Message	IBC05YA(C)	0.483	0.045	0.018
337	Story1	C194	Column	HSS10X10X1/4	No Message	IBC05YA(T)	0.333	0.018	0.017
396	Story1	C195	Column	HSS10X10X1/4	No Message	IBC05XA(C)	0.494	0.032	0.388
399	Story1	C196	Column	HSS10X10X1/4	No Message	IBC05XA(C)	0.488	0.021	0.429
399	Story1	C196	Column	HSS10X10X1/4	No Message	IBC05XA(T)	0.257	0.004	0.014
440	Story1	C197	Column	HSS10X10X1/4	No Message	IBC05XB(C)	0.422	0.016	0.402
440	Story1	C197	Column	HSS10X10X1/4	No Message	IBC05XB(T)	0.387	0.004	0.381
481	Story1	C198	Column	HSS10X10X1/4	No Message	IBC05XA(C)	0.39	0.01	0.374
481	Story1	C198	Column	HSS10X10X1/4	No Message	IBC05XA(T)	0.354	0.009	0.341
502	Story1	C41	Column	HSS6X4X1/4	No Message	(T)	0.508	0.003	0.496
515	Story1	C43	Column	HSS6X4X1/4	No Message	IBC05XA(C)	0.368	0.004	0.36
606	Story1	C45	Column	HSS6X4X1/4	No Message	(T)	0.511	0.003	0.498
610	Story1	C48	Column	HSS6X4X1/4	No Message	IBC05XA(C)	0.371	0.004	0.363
187	Story1	C10	Column	HSS6X4X1/4	No Message	IBC04YB(C)	0.001	0.001	0
187	Story1	C10	Column	HSS6X4X1/4	No Message	IBC04YB(T)	0.008	0.008	0
188	Story1	C29	Column	HSS6X4X1/4	No Message	IBC02(C)	0.001	0.001	0
188	Story1	C29	Column	HSS6X4X1/4	No Message	IBC02(T)	0.007	0.007	0
44	Story1	C50	Column	HSS6X4X1/4	No Message	IBC07YB(C)	0.011	0.011	0
44	Story1	C50	Column	HSS6X4X1/4	No Message	IBC07YB(T)	0.001	0.001	0
45	Story1	C52	Column	HSS6X4X1/4	No Message	IBC04YA(C)	0.002	0.002	0

Table 5.2 - Steel Frame Design Summary - AISC 360-16 (Part 1 of 2, continued)

UniqueName	Story	Label	Design Type	Design Section	Status	PMM Combo	PMM Ratio	P Ratio	M Major Ratio
45	Story1	C52	Column	HSS6X4X1/4	No Message	IBC04YA(T)	0.011	0.011	0
77	Story1	C55	Column	HSS6X4X1/4	No Message	IBC07YB(C)	0.013	0.013	0
77	Story1	C55	Column	HSS6X4X1/4	No Message	IBC07YB(T)	0.001	0.001	0
78	Story1	C57	Column	HSS6X4X1/4	No Message	IBC07YB(C)	0.014	0.014	0
78	Story1	C57	Column	HSS6X4X1/4	No Message	IBC07YB(T)	0.007	0.007	0
192	Story1	C59	Column	HSS6X4X1/4	No Message	IBC07YB(C)	0.015	0.015	0
192	Story1	C59	Column	HSS6X4X1/4	No Message	IBC07YB(T)	0.002	0.002	0
193	Story1	C61	Column	HSS6X4X1/4	No Message	IBC06YA(C)	0.0004025	0.0004025	0
193	Story1	C61	Column	HSS6X4X1/4	No Message	IBC06YA(T)	0.015	0.015	0
222	Story1	C147	Column	HSS6X4X1/4	No Message	IBC07XB(C)	0.203	0.203	0
222	Story1	C147	Column	HSS6X4X1/4	No Message	IBC07XB(T)	0.005	0.001	0
227	Story1	C149	Column	HSS6X4X1/4	No Message	IBC07XB(C)	0.096	0.096	0
227	Story1	C149	Column	HSS6X4X1/4	No Message	IBC07XB(T)	0.017	0.001	0
224	Story1	C154	Column	HSS6X4X1/4	No Message	IBC07XB(C)	0.202	0.202	0
224	Story1	C154	Column	HSS6X4X1/4	No Message	IBC07XB(T)	0.004	0.001	0
225	Story1	C156	Column	HSS6X4X1/4	No Message	IBC07XB(C)	0.096	0.096	0
225	Story1	C156	Column	HSS6X4X1/4	No Message	IBC07XB(T)	0.017	0.001	0
316	Story1	C158	Column	HSS6X4X1/4	No Message	IBC07YB(C)	0.015	0.015	0
316	Story1	C158	Column	HSS6X4X1/4	No Message	IBC07YB(T)	0.002	0.002	0
317	Story1	C161	Column	HSS6X4X1/4	No Message	IBC06YA(C)	0.000397	0.000397	0
317	Story1	C161	Column	HSS6X4X1/4	No Message	IBC06YA(T)	0.015	0.015	0
366	Story1	C163	Column	HSS6X4X1/4	No Message	IBC07YB(C)	0.013	0.013	0
366	Story1	C163	Column	HSS6X4X1/4	No Message	IBC07YB(T)	0.001	0.001	0
367	Story1	C165	Column	HSS6X4X1/4	No Message	IBC07YB(C)	0.013	0.013	0
367	Story1	C165	Column	HSS6X4X1/4	No Message	IBC07YB(T)	0.013	0.013	0
393	Story1	C167	Column	HSS6X4X1/4	No Message	IBC07YB(C)	0.011	0.011	0
393	Story1	C167	Column	HSS6X4X1/4	No Message	IBC07YB(T)	0.001	0.001	0
394	Story1	C176	Column	HSS6X4X1/4	No Message	IBC04YA(C)	0.002	0.002	0
394	Story1	C176	Column	HSS6X4X1/4	No Message	IBC04YA(T)	0.011	0.011	0
428	Story1	C191	Column	HSS6X4X1/4	No Message	IBC04YB(C)	0.001	0.001	0
428	Story1	C191	Column	HSS6X4X1/4	No Message	IBC04YB(T)	0.008	0.008	0
429	Story1	C218	Column	HSS6X4X1/4	No Message	IBC02(C)	0.001	0.001	0
429	Story1	C218	Column	HSS6X4X1/4	No Message	IBC02(T)	0.007	0.007	0
114	Story1	B1	Beam	HSS10X10X1/4	No Message	IBC05XB(C)	0.361	0.01	0.307
114	Story1	B1	Beam	HSS10X10X1/4	No Message	IBC05XB(T)	0.315	0.007	0.28
588	Story1	B2	Beam	HSS10X10X1/4	No Message	IBC07XB(C)	0.179	0.013	0.147
588	Story1	B2	Beam	HSS10X10X1/4	No Message	IBC07XB(T)	0.189	0.013	0.138
595	Story1	B3	Beam	HSS10X10X1/4	No Message	IBC05XB(C)	0.288	0.023	0.218
595	Story1	B3	Beam	HSS10X10X1/4	No Message	IBC05XB(T)	0.222	0.025	0.19
590	Story1	B4	Beam	HSS10X10X1/4	No Message	IBC05XB(C)	0.29	0.016	0.272
590	Story1	B4	Beam	HSS10X10X1/4	No Message	IBC05XB(T)	0.332	0.008	0.263
592	Story1	B5	Beam	HSS10X10X1/4	No Message	IBC07XB(C)	0.302	0.002	0.214
592	Story1	B5	Beam	HSS10X10X1/4	No Message	IBC07XB(T)	0.307	0.003	0.236
603	Story1	B6	Beam	HSS10X10X1/4	No Message	IBC07XB(C)	0.363	0.005	0.345

Table 5.2 - Steel Frame Design Summary - AISC 360-16 (Part 1 of 2, continued)

UniqueName	Story	Label	Design Type	Design Section	Status	PMM Combo	PMM Ratio	P Ratio	M Major Ratio
603	Story1	B6	Beam	HSS10X10X1/4	No Message	IBC07XB(T)	0.384	0.007	0.373
615	Story1	B8	Beam	HSS10X10X1/4	No Message	IBC07XA(C)	0.363	0.005	0.345
615	Story1	B8	Beam	HSS10X10X1/4	No Message	IBC07XA(T)	0.384	0.006	0.373
618	Story1	B9	Beam	HSS10X10X1/4	No Message	IBC07XA(C)	0.302	0.003	0.214
618	Story1	B9	Beam	HSS10X10X1/4	No Message	IBC07XA(T)	0.307	0.003	0.236
620	Story1	B10	Beam	HSS10X10X1/4	No Message	IBC05XA(C)	0.289	0.016	0.272
620	Story1	B10	Beam	HSS10X10X1/4	No Message	IBC05XA(T)	0.329	0.007	0.262
622	Story1	B11	Beam	HSS10X10X1/4	No Message	IBC05XA(C)	0.29	0.023	0.219
622	Story1	B11	Beam	HSS10X10X1/4	No Message	IBC05XA(T)	0.223	0.025	0.191
624	Story1	B12	Beam	HSS10X10X1/4	No Message	IBC07XA(C)	0.179	0.013	0.147
624	Story1	B12	Beam	HSS10X10X1/4	No Message	IBC07XA(T)	0.189	0.013	0.139
495	Story1	B13	Beam	HSS10X10X1/4	No Message	IBC05XA(C)	0.362	0.01	0.307
495	Story1	B13	Beam	HSS10X10X1/4	No Message	IBC05XA(T)	0.315	0.007	0.28
102	Story1	B14	Beam	HSS10X10X1/4	No Message	IBC05YA(C)	0.249	0.001	0.223
102	Story1	B14	Beam	HSS10X10X1/4	No Message	IBC05YA(T)	0.225	0.001	0.2
668	Story1	B15	Beam	WT6X17.5	No Message	(T)	0.102	0.017	0.084
9	Story1	B16	Beam	HSS10X10X1/4	No Message	IBC07YB(C)	0.225	0.002	0.206
9	Story1	B16	Beam	HSS10X10X1/4	No Message	IBC07YB(T)	0.215	0.001	0.203
171	Story1	B17	Beam	HSS10X10X1/4	No Message	IBC05YA(C)	0.254	0.007	0.228
171	Story1	B17	Beam	HSS10X10X1/4	No Message	IBC05YA(T)	0.271	0.003	0.251
601	Story1	B18	Beam	HSS10X10X1/4	No Message	IBC05YB(C)	0.056	0.001	0.045
601	Story1	B18	Beam	HSS10X10X1/4	No Message	IBC05YB(T)	0.042	0.001	0.032
38	Story1	B19	Beam	HSS10X10X1/4	No Message	IBC05YB(C)	0.314	0.002	0.299
38	Story1	B19	Beam	HSS10X10X1/4	No Message	IBC05YB(T)	0.279	0.0004125	0.264
600	Story1	B20	Beam	HSS10X10X1/4	No Message	IBC07YA(C)	0.121	0.002	0.095
600	Story1	B20	Beam	HSS10X10X1/4	No Message	IBC07YA(T)	0.117	0.001	0.1
71	Story1	B21	Beam	HSS10X10X1/4	No Message	IBC07YA(C)	0.403	0.009	0.368
71	Story1	B21	Beam	HSS10X10X1/4	No Message	IBC07YA(T)	0.387	0.004	0.379
184	Story1	B22	Beam	HSS10X10X1/4	No Message	IBC07YA(C)	0.477	0.014	0.46
184	Story1	B22	Beam	HSS10X10X1/4	No Message	IBC07YA(T)	0.478	0.01	0.463
614	Story1	B23	Beam	HSS10X10X1/4	No Message	IBC05YB(C)	0.036	0.004	0.032
614	Story1	B23	Beam	HSS10X10X1/4	No Message	IBC05YB(T)	0.048	0.0001527	0.048
236	Story1	B24	Beam	HSS10X10X1/4	No Message	IBC05YB(C)	0.465	0.003	0.453
236	Story1	B24	Beam	HSS10X10X1/4	No Message	IBC05YB(T)	0.382	0.001	0.369
261	Story1	B25	Beam	HSS10X10X1/4	No Message	IBC05YB(C)	0.133	0.002	0.099
261	Story1	B25	Beam	HSS10X10X1/4	No Message	IBC05YB(T)	0.135	0.005	0.077
613	Story1	B26	Beam	HSS8X8X1/4	No Message	(T)	0.021	0.0002093	0.005
230	Story1	B27	Beam	HSS10X10X1/4	No Message	IBC05YB(C)	0.462	0.003	0.452
230	Story1	B27	Beam	HSS10X10X1/4	No Message	IBC05YB(T)	0.38	0.001	0.368
283	Story1	B28	Beam	HSS10X10X1/4	No Message	IBC05YB(C)	0.136	0.002	0.101
283	Story1	B28	Beam	HSS10X10X1/4	No Message	IBC05YB(T)	0.133	0.005	0.076
617	Story1	B29	Beam	HSS10X10X1/4	No Message	IBC05YB(C)	0.036	0.004	0.032
617	Story1	B29	Beam	HSS10X10X1/4	No Message	IBC05YB(T)	0.048	0.0001524	0.048
310	Story1	B30	Beam	HSS10X10X1/4	No Message	IBC07YA(C)	0.469	0.014	0.453

Table 5.2 - Steel Frame Design Summary - AISC 360-16 (Part 1 of 2, continued)

UniqueName	Story	Label	Design Type	Design Section	Status	PMM Combo	PMM Ratio	P Ratio	M Major Ratio
310	Story1	B30	Beam	HSS10X10X1/4	No Message	IBC07YA(T)	0.469	0.01	0.454
360	Story1	B31	Beam	HSS10X10X1/4	No Message	IBC07YA(C)	0.396	0.009	0.363
360	Story1	B31	Beam	HSS10X10X1/4	No Message	IBC07YA(T)	0.378	0.004	0.372
626	Story1	B32	Beam	HSS10X10X1/4	No Message	IBC07YA(C)	0.119	0.002	0.094
626	Story1	B32	Beam	HSS10X10X1/4	No Message	IBC07YA(T)	0.113	0.001	0.098
387	Story1	B33	Beam	HSS10X10X1/4	No Message	IBC05YB(C)	0.309	0.002	0.295
387	Story1	B33	Beam	HSS10X10X1/4	No Message	IBC05YB(T)	0.275	0.0004103	0.261
627	Story1	B34	Beam	HSS10X10X1/4	No Message	IBC05YB(C)	0.055	0.001	0.045
627	Story1	B34	Beam	HSS10X10X1/4	No Message	IBC05YB(T)	0.041	0.001	0.031
422	Story1	B35	Beam	HSS10X10X1/4	No Message	IBC05YA(C)	0.251	0.007	0.224
422	Story1	B35	Beam	HSS10X10X1/4	No Message	IBC05YA(T)	0.267	0.003	0.248
463	Story1	B36	Beam	HSS10X10X1/4	No Message	IBC07YB(C)	0.222	0.002	0.203
463	Story1	B36	Beam	HSS10X10X1/4	No Message	IBC07YB(T)	0.213	0.001	0.201
670	Story1	B37	Beam	WT6X17.5	No Message	(T)	0.102	0.017	0.084
474	Story1	B38	Beam	HSS10X10X1/4	No Message	IBC05YA(C)	0.246	0.001	0.22
474	Story1	B38	Beam	HSS10X10X1/4	No Message	IBC05YA(T)	0.223	0.001	0.197
498	Story1	B39	Beam	HSS10X10X1/4	No Message	IBC05XA(C)	0.391	0.01	0.365
498	Story1	B39	Beam	HSS10X10X1/4	No Message	IBC05XA(T)	0.352	0.006	0.318
589	Story1	B40	Beam	HSS10X10X1/4	No Message	IBC05XA(C)	0.279	0.001	0.237
589	Story1	B40	Beam	HSS10X10X1/4	No Message	IBC05XA(T)	0.213	0.000229	0.185
597	Story1	B41	Beam	HSS10X10X1/4	No Message	IBC07XB(C)	0.097	0.009	0.06
597	Story1	B41	Beam	HSS10X10X1/4	No Message	IBC07XB(T)	0.126	0.008	0.083
594	Story1	B42	Beam	HSS10X10X1/4	No Message	IBC05XA(C)	0.33	0.003	0.324
594	Story1	B42	Beam	HSS10X10X1/4	No Message	IBC05XA(T)	0.253	0.001	0.251
598	Story1	B43	Beam	HSS10X10X1/4	No Message	IBC05XB(C)	0.2	0.005	0.173
598	Story1	B43	Beam	HSS10X10X1/4	No Message	IBC05XB(T)	0.185	0.002	0.151
591	Story1	B44	Beam	HSS10X10X1/4	No Message	IBC05XA(C)	0.473	0.011	0.424
591	Story1	B44	Beam	HSS10X10X1/4	No Message	IBC05XA(T)	0.349	0.004	0.311
599	Story1	B45	Beam	HSS10X10X1/4	No Message	IBC05XB(C)	0.208	0.004	0.158
599	Story1	B45	Beam	HSS10X10X1/4	No Message	IBC05XB(T)	0.228	0.001	0.182
593	Story1	B46	Beam	HSS10X10X1/4	No Message	IBC05XA(C)	0.4	0.028	0.282
593	Story1	B46	Beam	HSS10X10X1/4	No Message	IBC05XA(T)	0.4	0.022	0.303
596	Story1	B47	Beam	HSS10X10X1/4	No Message	IBC07XB(C)	0.752	0.048	0.508
596	Story1	B47	Beam	HSS10X10X1/4	No Message	IBC07XB(T)	0.712	0.038	0.498
604	Story1	B48	Beam	HSS10X10X1/4	No Message	IBC05XB(C)	0.468	0.022	0.423
604	Story1	B48	Beam	HSS10X10X1/4	No Message	IBC05XB(T)	0.494	0.01	0.476
242	Story1	B49	Beam	HSS10X10X3/8	No Message	IBC05XB(C)	0.752	0.01	0.742
242	Story1	B49	Beam	HSS10X10X3/8	No Message	IBC05XB(T)	0.746	0.013	0.733
113	Story1	B51	Beam	HSS10X10X3/8	No Message	IBC07YA(C)	0.026	0.005	0.019
113	Story1	B51	Beam	HSS10X10X3/8	No Message	IBC07YA(T)	0.321	0.006	0.247
616	Story1	B52	Beam	HSS10X10X1/4	No Message	IBC05XA(C)	0.467	0.021	0.423
616	Story1	B52	Beam	HSS10X10X1/4	No Message	IBC05XA(T)	0.495	0.011	0.477
628	Story1	B53	Beam	HSS10X10X3/8	No Message	IBC05XA(C)	0.751	0.01	0.742
628	Story1	B53	Beam	HSS10X10X3/8	No Message	IBC05XA(T)	0.746	0.013	0.733

Table 5.2 - Steel Frame Design Summary - AISC 360-16 (Part 1 of 2, continued)

UniqueName	Story	Label	Design Type	Design Section	Status	PMM Combo	PMM Ratio	P Ratio	M Major Ratio
619	Story1	B54	Beam	HSS10X10X1/4	No Message	IBC05XB(C)	0.401	0.028	0.282
619	Story1	B54	Beam	HSS10X10X1/4	No Message	IBC05XB(T)	0.399	0.022	0.303
629	Story1	B55	Beam	HSS10X10X1/4	No Message	IBC07XA(C)	0.752	0.048	0.508
629	Story1	B55	Beam	HSS10X10X1/4	No Message	IBC07XA(T)	0.713	0.038	0.498
621	Story1	B56	Beam	HSS10X10X1/4	No Message	IBC05XB(C)	0.472	0.011	0.424
621	Story1	B56	Beam	HSS10X10X1/4	No Message	IBC05XB(T)	0.349	0.005	0.311
630	Story1	B57	Beam	HSS10X10X1/4	No Message	IBC05XA(C)	0.206	0.004	0.157
630	Story1	B57	Beam	HSS10X10X1/4	No Message	IBC05XA(T)	0.226	0.001	0.18
623	Story1	B58	Beam	HSS10X10X1/4	No Message	IBC05XB(C)	0.33	0.003	0.324
623	Story1	B58	Beam	HSS10X10X1/4	No Message	IBC05XB(T)	0.253	0.001	0.251
631	Story1	B59	Beam	HSS10X10X1/4	No Message	IBC05XA(C)	0.2	0.005	0.173
631	Story1	B59	Beam	HSS10X10X1/4	No Message	IBC05XA(T)	0.185	0.002	0.151
625	Story1	B60	Beam	HSS10X10X1/4	No Message	IBC05XB(C)	0.28	0.001	0.237
625	Story1	B60	Beam	HSS10X10X1/4	No Message	IBC05XB(T)	0.213	0.0001764	0.185
632	Story1	B61	Beam	HSS10X10X1/4	No Message	IBC07XA(C)	0.097	0.009	0.06
632	Story1	B61	Beam	HSS10X10X1/4	No Message	IBC07XA(T)	0.125	0.008	0.082
572	Story1	B62	Beam	HSS10X10X1/4	No Message	IBC05XB(C)	0.392	0.01	0.366
572	Story1	B62	Beam	HSS10X10X1/4	No Message	IBC05XB(T)	0.352	0.006	0.318
10	Story1	B71	Beam	HSS10X10X1/4	No Message	IBC07YA(C)	0.153	0.007	0.134
10	Story1	B71	Beam	HSS10X10X1/4	No Message	IBC07YA(T)	0.174	0.018	0.14
464	Story1	B72	Beam	HSS10X10X1/4	No Message	IBC07YA(C)	0.155	0.007	0.137
464	Story1	B72	Beam	HSS10X10X1/4	No Message	IBC07YA(T)	0.162	0.018	0.128
98	Story1	B75	Beam	HSS10X10X1/4	No Message	IBC05YA(C)	0.117	0.006	0.111
98	Story1	B75	Beam	HSS10X10X1/4	No Message	IBC05YA(T)	0.018	0.002	0.012
471	Story1	B76	Beam	HSS10X10X1/4	No Message	IBC05YA(C)	0.116	0.006	0.109
471	Story1	B76	Beam	HSS10X10X1/4	No Message	IBC05YA(T)	0.018	0.002	0.012
674	Story1	B77	Beam	HSS8X8X1/4	No Message	(T)	0.019	0.003	0.016
652	Story1	B78	Beam	HSS8X8X1/4	No Message	(T)	0.02	0.004	0.016
660	Story1	B79	Beam	HSS8X8X1/4	No Message	IBC07XA(C)	0.007	0.001	0.007
660	Story1	B79	Beam	HSS8X8X1/4	No Message	IBC07XA(T)	0.02	0.004	0.016
663	Story1	B80	Beam	HSS8X8X1/4	No Message	IBC05YB(C)	0.044	0.006	0.038
663	Story1	B80	Beam	HSS8X8X1/4	No Message	IBC05YB(T)	0.04	0.002	0.038
666	Story1	B81	Beam	HSS8X8X1/4	No Message	IBC07XB(C)	0.007	0.001	0.007
666	Story1	B81	Beam	HSS8X8X1/4	No Message	IBC07XB(T)	0.02	0.004	0.016
696	Story1	B82	Beam	HSS8X8X1/4	No Message	(T)	0.02	0.004	0.016
641	Story1	B83	Beam	HSS8X8X1/4	No Message	(T)	0.019	0.003	0.016
115	Story1	B84	Beam	HSS10X10X1/4	No Message	IBC07YA(C)	0.136	0.002	0.123
115	Story1	B84	Beam	HSS10X10X1/4	No Message	IBC07YA(T)	0.158	0.015	0.136
436	Story1	B85	Beam	HSS10X10X1/4	No Message	IBC07YA(C)	0.126	0.002	0.113
436	Story1	B85	Beam	HSS10X10X1/4	No Message	IBC07YA(T)	0.138	0.015	0.117
500	Story1	B86	Beam	HSS10X10X1/4	No Message	IBC05XA(C)	0.358	0.007	0.351
500	Story1	B86	Beam	HSS10X10X1/4	No Message	IBC05XA(T)	0.319	0.007	0.309
571	Story1	B87	Beam	HSS10X10X1/4	No Message	IBC05XB(C)	0.358	0.007	0.351
571	Story1	B87	Beam	HSS10X10X1/4	No Message	IBC05XB(T)	0.318	0.007	0.309

Table 5.2 - Steel Frame Design Summary - AISC 360-16 (Part 1 of 2, continued)

UniqueName	Story	Label	Design Type	Design Section	Status	PMM Combo	PMM Ratio	P Ratio	M Major Ratio
99	Story1	B88	Beam	HSS10X10X1/4	No Message	IBC05YA(C)	0.191	0.008	0.173
99	Story1	B88	Beam	HSS10X10X1/4	No Message	IBC05YA(T)	0.021	0.004	0.011
116	Story1	B89	Beam	HSS10X10X1/4	No Message	(T)	0.15	0.009	0.133
650	Story1	B90	Beam	HSS8X8X1/4	No Message	IBC05XA(C)	0.019	0.002	0.017
653	Story1	B91	Beam	HSS8X8X1/4	No Message	IBC07XA(C)	0.008	0.001	0.007
653	Story1	B91	Beam	HSS8X8X1/4	No Message	IBC07XA(T)	0.024	0.008	0.016
654	Story1	B92	Beam	HSS8X8X1/4	No Message	IBC07XA(C)	0.009	0.003	0.007
654	Story1	B92	Beam	HSS8X8X1/4	No Message	IBC07XA(T)	0.026	0.01	0.016
657	Story1	B93	Beam	HSS8X8X1/4	No Message	IBC05XB(C)	0.111	0.007	0.104
659	Story1	B94	Beam	HSS8X8X1/4	No Message	IBC05XA(C)	0.079	0.063	0.016
659	Story1	B94	Beam	HSS8X8X1/4	No Message	IBC05XA(T)	0.067	0.051	0.016
671	Story1	B95	Beam	HSS8X8X1/4	No Message	IBC05XA(C)	0.046	0.008	0.038
665	Story1	B96	Beam	HSS8X8X1/4	No Message	IBC05XB(C)	0.077	0.06	0.016
665	Story1	B96	Beam	HSS8X8X1/4	No Message	IBC05XB(T)	0.065	0.048	0.016
667	Story1	B97	Beam	HSS8X8X1/4	No Message	IBC05XA(C)	0.025	0.007	0.018
633	Story1	B98	Beam	HSS8X8X1/4	No Message	IBC07XB(C)	0.01	0.003	0.007
633	Story1	B98	Beam	HSS8X8X1/4	No Message	IBC07XB(T)	0.026	0.01	0.016
640	Story1	B99	Beam	HSS8X8X1/4	No Message	IBC07XB(C)	0.008	0.001	0.007
640	Story1	B99	Beam	HSS8X8X1/4	No Message	IBC07XB(T)	0.024	0.007	0.016
642	Story1	B100	Beam	HSS8X8X1/4	No Message	IBC05XB(C)	0.019	0.002	0.017
437	Story1	B101	Beam	HSS10X10X1/4	No Message	(T)	0.129	0.009	0.113
472	Story1	B102	Beam	HSS10X10X1/4	No Message	IBC05YA(C)	0.189	0.008	0.171
472	Story1	B102	Beam	HSS10X10X1/4	No Message	IBC05YA(T)	0.021	0.004	0.011
499	Story1	B103	Beam	HSS10X10X1/4	No Message	IBC05XA(C)	0.359	0.007	0.351
499	Story1	B103	Beam	HSS10X10X1/4	No Message	IBC05XA(T)	0.319	0.007	0.309
570	Story1	B104	Beam	HSS10X10X1/4	No Message	IBC05XB(C)	0.36	0.007	0.352
570	Story1	B104	Beam	HSS10X10X1/4	No Message	IBC05XB(T)	0.319	0.007	0.309
117	Story1	B105	Beam	HSS10X10X1/4	No Message	IBC07YB(C)	0.138	0.002	0.122
117	Story1	B105	Beam	HSS10X10X1/4	No Message	IBC07YB(T)	0.158	0.015	0.137
438	Story1	B106	Beam	HSS10X10X1/4	No Message	IBC07YB(C)	0.128	0.002	0.112
438	Story1	B106	Beam	HSS10X10X1/4	No Message	IBC07YB(T)	0.139	0.015	0.118
678	Story1	B107	Beam	HSS8X8X1/4	No Message	(T)	0.019	0.003	0.016
656	Story1	B108	Beam	HSS8X8X1/4	No Message	(T)	0.02	0.004	0.016
658	Story1	B109	Beam	HSS8X8X1/4	No Message	IBC07XA(C)	0.007	0.001	0.007
658	Story1	B109	Beam	HSS8X8X1/4	No Message	IBC07XA(T)	0.02	0.004	0.016
661	Story1	B110	Beam	HSS8X8X1/4	No Message	IBC05YA(C)	0.043	0.005	0.038
661	Story1	B110	Beam	HSS8X8X1/4	No Message	IBC05YA(T)	0.04	0.002	0.038
664	Story1	B111	Beam	HSS8X8X1/4	No Message	IBC07XB(C)	0.007	0.001	0.007
664	Story1	B111	Beam	HSS8X8X1/4	No Message	IBC07XB(T)	0.02	0.004	0.016
692	Story1	B112	Beam	HSS8X8X1/4	No Message	(T)	0.02	0.004	0.016
639	Story1	B113	Beam	HSS8X8X1/4	No Message	(T)	0.019	0.003	0.016
100	Story1	B114	Beam	HSS10X10X1/4	No Message	IBC05YB(C)	0.12	0.008	0.108
100	Story1	B114	Beam	HSS10X10X1/4	No Message	IBC05YB(T)	0.021	0.002	0.016
473	Story1	B115	Beam	HSS10X10X1/4	No Message	IBC05YB(C)	0.118	0.008	0.107

Table 5.2 - Steel Frame Design Summary - AISC 360-16 (Part 1 of 2, continued)

UniqueName	Story	Label	Design Type	Design Section	Status	PMM Combo	PMM Ratio	P Ratio	M Major Ratio
473	Story1	B115	Beam	HSS10X10X1/4	No Message	IBC05YB(T)	0.021	0.002	0.016
11	Story1	B126	Beam	HSS10X10X1/4	No Message	IBC07YB(C)	0.156	0.007	0.134
11	Story1	B126	Beam	HSS10X10X1/4	No Message	IBC07YB(T)	0.178	0.018	0.142
465	Story1	B127	Beam	HSS10X10X1/4	No Message	IBC07YB(C)	0.158	0.007	0.136
465	Story1	B127	Beam	HSS10X10X1/4	No Message	IBC07YB(T)	0.165	0.018	0.13
497	Story1	B128	Beam	HSS10X10X1/4	No Message	IBC05XA(C)	0.406	0.013	0.376
497	Story1	B128	Beam	HSS10X10X1/4	No Message	IBC05XA(T)	0.354	0.007	0.319
496	Story1	B129	Beam	HSS10X10X1/4	No Message	IBC05XA(C)	0.32	0.007	0.256
496	Story1	B129	Beam	HSS10X10X1/4	No Message	IBC05XA(T)	0.082	0.021	0.054
528	Story1	B130	Beam	HSS10X10X1/4	No Message	IBC07YA(C)	0.162	0.011	0.113
528	Story1	B130	Beam	HSS10X10X1/4	No Message	IBC07YA(T)	0.188	0.012	0.132
513	Story1	B131	Beam	HSS10X10X1/4	No Message	IBC05XA(C)	0.401	0.001	0.395
513	Story1	B131	Beam	HSS10X10X1/4	No Message	IBC05XA(T)	0.266	0.002	0.26
529	Story1	B132	Beam	HSS10X10X1/4	No Message	IBC05YA(C)	0.272	0.004	0.208
529	Story1	B132	Beam	HSS10X10X1/4	No Message	IBC05YA(T)	0.193	0.004	0.137
504	Story1	B133	Beam	HSS10X10X1/4	No Message	IBC05XB(C)	0.461	0.011	0.445
504	Story1	B133	Beam	HSS10X10X1/4	No Message	IBC05XB(T)	0.234	0.006	0.216
530	Story1	B134	Beam	HSS10X10X1/4	No Message	IBC05YB(C)	0.269	0.003	0.207
530	Story1	B134	Beam	HSS10X10X1/4	No Message	IBC05YB(T)	0.191	0.003	0.136
506	Story1	B135	Beam	HSS10X10X1/4	No Message	IBC05XA(C)	0.427	0.025	0.301
506	Story1	B135	Beam	HSS10X10X1/4	No Message	IBC05XA(T)	0.478	0.016	0.356
527	Story1	B136	Beam	HSS10X10X1/4	No Message	IBC07XB(C)	0.77	0.036	0.531
527	Story1	B136	Beam	HSS10X10X1/4	No Message	IBC07XB(T)	0.73	0.029	0.517
508	Story1	B137	Beam	HSS10X10X1/4	No Message	IBC05XB(C)	0.48	0.022	0.438
508	Story1	B137	Beam	HSS10X10X1/4	No Message	IBC05XB(T)	0.496	0.01	0.479
531	Story1	B138	Beam	HSS10X10X3/8	No Message	IBC05XB(C)	0.738	0.009	0.729
531	Story1	B138	Beam	HSS10X10X3/8	No Message	IBC05XB(T)	0.736	0.013	0.722
243	Story1	B140	Beam	HSS10X10X3/8	No Message	IBC05YB(C)	0.053	0.001	0.048
243	Story1	B140	Beam	HSS10X10X3/8	No Message	IBC05YB(T)	0.324	0.006	0.25
539	Story1	B141	Beam	HSS10X10X1/4	No Message	IBC05XA(C)	0.479	0.022	0.438
539	Story1	B141	Beam	HSS10X10X1/4	No Message	IBC05XA(T)	0.497	0.01	0.479
583	Story1	B142	Beam	HSS10X10X3/8	No Message	IBC05XA(C)	0.738	0.009	0.728
583	Story1	B142	Beam	HSS10X10X3/8	No Message	IBC05XA(T)	0.736	0.013	0.723
542	Story1	B143	Beam	HSS10X10X1/4	No Message	IBC05XB(C)	0.428	0.024	0.301
542	Story1	B143	Beam	HSS10X10X1/4	No Message	IBC05XB(T)	0.477	0.016	0.356
584	Story1	B144	Beam	HSS10X10X1/4	No Message	IBC07XA(C)	0.77	0.036	0.531
584	Story1	B144	Beam	HSS10X10X1/4	No Message	IBC07XA(T)	0.731	0.029	0.518
545	Story1	B145	Beam	HSS10X10X1/4	No Message	IBC05XA(C)	0.46	0.011	0.445
545	Story1	B145	Beam	HSS10X10X1/4	No Message	IBC05XA(T)	0.234	0.007	0.216
585	Story1	B146	Beam	HSS10X10X1/4	No Message	IBC05YB(C)	0.267	0.003	0.205
585	Story1	B146	Beam	HSS10X10X1/4	No Message	IBC05YB(T)	0.189	0.003	0.135
548	Story1	B147	Beam	HSS10X10X1/4	No Message	IBC05XB(C)	0.401	0.001	0.395
548	Story1	B147	Beam	HSS10X10X1/4	No Message	IBC05XB(T)	0.266	0.002	0.26
586	Story1	B148	Beam	HSS10X10X1/4	No Message	IBC05YA(C)	0.27	0.004	0.207

Table 5.2 - Steel Frame Design Summary - AISC 360-16 (Part 1 of 2, continued)

UniqueName	Story	Label	Design Type	Design Section	Status	PMM Combo	PMM Ratio	P Ratio	M Major Ratio
586	Story1	B148	Beam	HSS10X10X1/4	No Message	IBC05YA(T)	0.192	0.004	0.136
550	Story1	B149	Beam	HSS10X10X1/4	No Message	IBC05XB(C)	0.32	0.007	0.256
550	Story1	B149	Beam	HSS10X10X1/4	No Message	IBC05XB(T)	0.081	0.02	0.054
587	Story1	B150	Beam	HSS10X10X1/4	No Message	IBC07YA(C)	0.161	0.01	0.112
587	Story1	B150	Beam	HSS10X10X1/4	No Message	IBC07YA(T)	0.188	0.012	0.131
569	Story1	B151	Beam	HSS10X10X1/4	No Message	IBC05XB(C)	0.407	0.014	0.377
569	Story1	B151	Beam	HSS10X10X1/4	No Message	IBC05XB(T)	0.354	0.007	0.318
109	Story1	B152	Beam	HSS10X10X1/4	No Message	IBC05YB(C)	0.257	0.003	0.225
109	Story1	B152	Beam	HSS10X10X1/4	No Message	IBC05YB(T)	0.232	0.0002449	0.203
662	Story1	B153	Beam	WT6X17.5	No Message	(T)	0.1	0.017	0.083
12	Story1	B154	Beam	HSS10X10X1/4	No Message	IBC07YA(C)	0.231	0.002	0.205
12	Story1	B154	Beam	HSS10X10X1/4	No Message	IBC07YA(T)	0.221	0.001	0.204
174	Story1	B155	Beam	HSS10X10X1/4	No Message	IBC05YB(C)	0.239	0.004	0.231
174	Story1	B155	Beam	HSS10X10X1/4	No Message	IBC05YB(T)	0.273	0.002	0.27
537	Story1	B156	Beam	HSS10X10X1/4	No Message	IBC05YA(C)	0.131	0.002	0.124
537	Story1	B156	Beam	HSS10X10X1/4	No Message	IBC05YA(T)	0.106	0.002	0.103
39	Story1	B157	Beam	HSS10X10X1/4	No Message	IBC05YA(C)	0.341	0.001	0.331
39	Story1	B157	Beam	HSS10X10X1/4	No Message	IBC05YA(T)	0.292	0.0001501	0.281
536	Story1	B158	Beam	HSS10X10X1/4	No Message	IBC05YA(C)	0.147	0.003	0.128
536	Story1	B158	Beam	HSS10X10X1/4	No Message	IBC05YA(T)	0.114	0.003	0.107
72	Story1	B159	Beam	HSS10X10X1/4	No Message	IBC07YB(C)	0.415	0.01	0.385
72	Story1	B159	Beam	HSS10X10X1/4	No Message	IBC07YB(T)	0.464	0.007	0.442
185	Story1	B160	Beam	HSS10X10X1/4	No Message	IBC07YB(C)	0.476	0.014	0.458
185	Story1	B160	Beam	HSS10X10X1/4	No Message	IBC07YB(T)	0.486	0.011	0.463
534	Story1	B161	Beam	HSS10X10X1/4	No Message	IBC05YA(C)	0.036	0.004	0.032
534	Story1	B161	Beam	HSS10X10X1/4	No Message	IBC05YA(T)	0.048	0.0001479	0.048
237	Story1	B162	Beam	HSS10X10X1/4	No Message	IBC05YA(C)	0.467	0.003	0.455
237	Story1	B162	Beam	HSS10X10X1/4	No Message	IBC05YA(T)	0.381	0.001	0.367
262	Story1	B163	Beam	HSS10X10X1/4	No Message	IBC05YA(C)	0.132	0.002	0.098
262	Story1	B163	Beam	HSS10X10X1/4	No Message	IBC05YA(T)	0.133	0.005	0.076
533	Story1	B164	Beam	HSS8X8X1/4	No Message	(T)	0.021	0.0002171	0.005
231	Story1	B165	Beam	HSS10X10X1/4	No Message	IBC05YA(C)	0.464	0.003	0.454
231	Story1	B165	Beam	HSS10X10X1/4	No Message	IBC05YA(T)	0.378	0.001	0.366
284	Story1	B166	Beam	HSS10X10X1/4	No Message	IBC05YA(C)	0.136	0.002	0.101
284	Story1	B166	Beam	HSS10X10X1/4	No Message	IBC05YA(T)	0.131	0.005	0.075
540	Story1	B167	Beam	HSS10X10X1/4	No Message	IBC05YA(C)	0.036	0.004	0.032
540	Story1	B167	Beam	HSS10X10X1/4	No Message	IBC05YA(T)	0.048	0.0001483	0.048
311	Story1	B168	Beam	HSS10X10X1/4	No Message	IBC07YB(C)	0.469	0.014	0.451
311	Story1	B168	Beam	HSS10X10X1/4	No Message	IBC07YB(T)	0.477	0.01	0.454
361	Story1	B169	Beam	HSS10X10X1/4	No Message	IBC07YB(C)	0.409	0.01	0.38
361	Story1	B169	Beam	HSS10X10X1/4	No Message	IBC07YB(T)	0.455	0.007	0.434
581	Story1	B170	Beam	HSS10X10X1/4	No Message	IBC05YA(C)	0.144	0.003	0.126
581	Story1	B170	Beam	HSS10X10X1/4	No Message	IBC05YA(T)	0.113	0.003	0.107
388	Story1	B171	Beam	HSS10X10X1/4	No Message	IBC05YA(C)	0.337	0.001	0.327

Table 5.2 - Steel Frame Design Summary - AISC 360-16 (Part 1 of 2, continued)

UniqueName	Story	Label	Design Type	Design Section	Status	PMM Combo	PMM Ratio	P Ratio	M Major Ratio
388	Story1	B171	Beam	HSS10X10X1/4	No Message	IBC05YA(T)	0.288	0.0001643	0.277
582	Story1	B172	Beam	HSS10X10X1/4	No Message	IBC05YA(C)	0.13	0.002	0.123
582	Story1	B172	Beam	HSS10X10X1/4	No Message	IBC05YA(T)	0.106	0.002	0.103
423	Story1	B173	Beam	HSS10X10X1/4	No Message	IBC05YB(C)	0.236	0.004	0.227
423	Story1	B173	Beam	HSS10X10X1/4	No Message	IBC05YB(T)	0.271	0.002	0.268
466	Story1	B174	Beam	HSS10X10X1/4	No Message	IBC07YA(C)	0.229	0.002	0.203
466	Story1	B174	Beam	HSS10X10X1/4	No Message	IBC07YA(T)	0.218	0.001	0.202
669	Story1	B175	Beam	WT6X17.5	No Message	(T)	0.1	0.017	0.083
475	Story1	B176	Beam	HSS10X10X1/4	No Message	IBC05YB(C)	0.254	0.003	0.222
475	Story1	B176	Beam	HSS10X10X1/4	No Message	IBC05YB(T)	0.229	0.0002354	0.201
111	Story1	B177	Beam	HSS10X10X1/4	No Message	IBC05XB(C)	0.356	0.009	0.304
111	Story1	B177	Beam	HSS10X10X1/4	No Message	IBC05XB(T)	0.318	0.006	0.283
430	Story1	B178	Beam	HSS10X10X1/4	No Message	IBC07XB(C)	0.181	0.01	0.147
430	Story1	B178	Beam	HSS10X10X1/4	No Message	IBC07XB(T)	0.231	0.008	0.165
519	Story1	B179	Beam	HSS10X10X1/4	No Message	IBC05XB(C)	0.273	0.006	0.259
519	Story1	B179	Beam	HSS10X10X1/4	No Message	IBC05XB(T)	0.264	0.011	0.247
503	Story1	B180	Beam	HSS10X10X1/4	No Message	IBC05XB(C)	0.316	0.012	0.301
503	Story1	B180	Beam	HSS10X10X1/4	No Message	IBC05XB(T)	0.352	0.024	0.324
505	Story1	B181	Beam	HSS10X10X1/4	No Message	IBC05XB(C)	0.43	0.018	0.304
505	Story1	B181	Beam	HSS10X10X1/4	No Message	IBC05XB(T)	0.361	0.014	0.263
507	Story1	B182	Beam	HSS10X10X1/4	No Message	IBC07XB(C)	0.372	0.004	0.354
507	Story1	B182	Beam	HSS10X10X1/4	No Message	IBC07XB(T)	0.391	0.007	0.379
538	Story1	B184	Beam	HSS10X10X1/4	No Message	IBC07XA(C)	0.372	0.004	0.354
538	Story1	B184	Beam	HSS10X10X1/4	No Message	IBC07XA(T)	0.391	0.007	0.379
541	Story1	B185	Beam	HSS10X10X1/4	No Message	IBC05XA(C)	0.43	0.018	0.305
541	Story1	B185	Beam	HSS10X10X1/4	No Message	IBC05XA(T)	0.361	0.014	0.263
543	Story1	B186	Beam	HSS10X10X1/4	No Message	IBC05XA(C)	0.317	0.012	0.301
543	Story1	B186	Beam	HSS10X10X1/4	No Message	IBC05XA(T)	0.352	0.023	0.324
547	Story1	B187	Beam	HSS10X10X1/4	No Message	IBC05XA(C)	0.274	0.006	0.259
547	Story1	B187	Beam	HSS10X10X1/4	No Message	IBC05XA(T)	0.264	0.011	0.247
549	Story1	B188	Beam	HSS10X10X1/4	No Message	IBC07XA(C)	0.181	0.01	0.147
549	Story1	B188	Beam	HSS10X10X1/4	No Message	IBC07XA(T)	0.231	0.009	0.165
494	Story1	B189	Beam	HSS10X10X1/4	No Message	IBC05XA(C)	0.356	0.009	0.304
494	Story1	B189	Beam	HSS10X10X1/4	No Message	IBC05XA(T)	0.318	0.006	0.283
694	Story1	B190	Beam	HSS10X10X1/4	No Message	IBC05YB(C)	0.072	0	0.037
694	Story1	B190	Beam	HSS10X10X1/4	No Message	IBC05YB(T)	0.057	0.0003757	0.016
649	Story1	B191	Beam	HSS10X10X1/4	No Message	IBC05YA(C)	0.077	0.001	0.068
649	Story1	B191	Beam	HSS10X10X1/4	No Message	IBC05YA(T)	0.05	0.001	0.044
693	Story1	B192	Beam	HSS10X10X1/4	No Message	IBC05YA(C)	0.07	0.001	0.062
693	Story1	B192	Beam	HSS10X10X1/4	No Message	IBC05YA(T)	0.051	0.001	0.05
647	Story1	B193	Beam	HSS10X10X1/4	No Message	IBC05YA(C)	0.072	0.003	0.069
647	Story1	B193	Beam	HSS10X10X1/4	No Message	IBC05YA(T)	0.044	0.002	0.038
688	Story1	B194	Beam	HSS10X10X1/4	No Message	IBC07YA(C)	0.095	0.000464	0.022
688	Story1	B194	Beam	HSS10X10X1/4	No Message	IBC07YA(T)	0.105	0.001	0.056

Table 5.2 - Steel Frame Design Summary - AISC 360-16 (Part 1 of 2, continued)

UniqueName	Story	Label	Design Type	Design Section	Status	PMM Combo	PMM Ratio	P Ratio	M Major Ratio
524	Story1	B195	Beam	HSS10X10X1/4	No Message	IBC07YA(C)	0.092	0.0004588	0.021
524	Story1	B195	Beam	HSS10X10X1/4	No Message	IBC07YA(T)	0.105	0.001	0.055
577	Story1	B196	Beam	HSS10X10X1/4	No Message	IBC05YA(C)	0.071	0.003	0.068
577	Story1	B196	Beam	HSS10X10X1/4	No Message	IBC05YA(T)	0.043	0.002	0.038
573	Story1	B197	Beam	HSS10X10X1/4	No Message	IBC05YA(C)	0.07	0.001	0.061
573	Story1	B197	Beam	HSS10X10X1/4	No Message	IBC05YA(T)	0.052	0.001	0.05
578	Story1	B198	Beam	HSS10X10X1/4	No Message	IBC05YA(C)	0.076	0.001	0.068
578	Story1	B198	Beam	HSS10X10X1/4	No Message	IBC05YA(T)	0.051	0.001	0.044
575	Story1	B199	Beam	HSS10X10X1/4	No Message	IBC05YB(C)	0.072	0	0.037
575	Story1	B199	Beam	HSS10X10X1/4	No Message	IBC05YB(T)	0.058	0.0003673	0.016
643	Story1	B200	Beam	HSS10X10X1/4	No Message	IBC05XB(C)	0.106	0.002	0.099
643	Story1	B200	Beam	HSS10X10X1/4	No Message	IBC05XB(T)	0.101	0.007	0.085
646	Story1	B201	Beam	HSS10X10X1/4	No Message	IBC05XB(C)	0.097	0.005	0.088
646	Story1	B201	Beam	HSS10X10X1/4	No Message	IBC05XB(T)	0.137	0.014	0.119
526	Story1	B202	Beam	HSS10X10X1/4	No Message	IBC05XB(C)	0.167	0.007	0.158
526	Story1	B202	Beam	HSS10X10X1/4	No Message	IBC05XB(T)	0.116	0.01	0.1
637	Story1	B203	Beam	HSS10X10X1/4	No Message	IBC05XB(C)	0.126	0.005	0.118
637	Story1	B203	Beam	HSS10X10X1/4	No Message	IBC05XB(T)	0.164	0.009	0.133
510	Story1	B204	Beam	HSS10X10X1/4	No Message	IBC05XA(C)	0.168	0.008	0.158
510	Story1	B204	Beam	HSS10X10X1/4	No Message	IBC05XA(T)	0.163	0.009	0.133
511	Story1	B205	Beam	HSS10X10X1/4	No Message	IBC05XA(C)	0.106	0.002	0.099
511	Story1	B205	Beam	HSS10X10X1/4	No Message	IBC05XA(T)	0.137	0.013	0.119
501	Story1	B219	Beam	HSS10X10X1/4	No Message	IBC05XB(C)	0.61	0.003	0.534
501	Story1	B219	Beam	HSS10X10X1/4	No Message	IBC05XB(T)	0.393	0.002	0.325
605	Story1	B220	Beam	HSS10X10X1/4	No Message	IBC05XB(C)	0.614	0.003	0.538
605	Story1	B220	Beam	HSS10X10X1/4	No Message	IBC05XB(T)	0.398	0.002	0.329
514	Story1	B50	Beam	HSS10X10X1/4	No Message	IBC05YB(C)	0.128	0.065	0.058
514	Story1	B50	Beam	HSS10X10X1/4	No Message	IBC05YB(T)	0.416	0.005	0.347
609	Story1	B63	Beam	HSS10X10X1/4	No Message	IBC05YA(C)	0.124	0.061	0.059
609	Story1	B63	Beam	HSS10X10X1/4	No Message	IBC05YA(T)	0.421	0.004	0.353
179	Story1	B7	Beam	HSS8X8X1/4	No Message	IBC05YB(C)	0.166	0	0.166
179	Story1	B7	Beam	HSS8X8X1/4	No Message	IBC05YB(T)	0.06	0	0.06
182	Story1	B64	Beam	HSS8X8X1/4	No Message	IBC05YA(C)	0.156	0	0.156
182	Story1	B64	Beam	HSS8X8X1/4	No Message	IBC05YA(T)	0.072	0	0.072
42	Story1	B65	Beam	HSS8X8X1/4	No Message	IBC05YB(C)	0.201	0	0.201
43	Story1	B66	Beam	HSS8X8X1/4	No Message	IBC05YA(C)	0.216	0	0.216
43	Story1	B66	Beam	HSS8X8X1/4	No Message	IBC05YA(T)	0.049	0	0.049
75	Story1	B67	Beam	HSS8X8X1/4	No Message	IBC05YB(C)	0.231	0	0.231
76	Story1	B68	Beam	HSS8X8X1/4	No Message	IBC05YA(C)	0.26	0	0.26
76	Story1	B68	Beam	HSS8X8X1/4	No Message	IBC05YA(T)	0.174	0	0.174
190	Story1	B69	Beam	HSS8X8X1/4	No Message	IBC05YB(C)	0.221	0	0.221
191	Story1	B70	Beam	HSS8X8X1/4	No Message	IBC05YA(C)	0.214	0	0.214
191	Story1	B70	Beam	HSS8X8X1/4	No Message	IBC05YA(T)	0.098	0	0.098
240	Story1	B73	Beam	HSS8X8X1/4	No Message	IBC05YB(C)	0.26	0.00016	0.26

Table 5.2 - Steel Frame Design Summary - AISC 360-16 (Part 1 of 2, continued)

UniqueName	Story	Label	Design Type	Design Section	Status	PMM Combo	PMM Ratio	P Ratio	M Major Ratio
240	Story1	B73	Beam	HSS8X8X1/4	No Message	IBC05YB(T)	0.102	0	0.102
241	Story1	B74	Beam	HSS8X8X1/4	No Message	IBC05YA(C)	0.257	0.0001672	0.257
241	Story1	B74	Beam	HSS8X8X1/4	No Message	IBC05YA(T)	0.102	0	0.102
235	Story1	B116	Beam	HSS8X8X1/4	No Message	IBC05YB(C)	0.26	0.000161	0.26
235	Story1	B116	Beam	HSS8X8X1/4	No Message	IBC05YB(T)	0.103	0	0.103
263	Story1	B117	Beam	HSS8X8X1/4	No Message	IBC05YA(C)	0.257	0.0001684	0.257
263	Story1	B117	Beam	HSS8X8X1/4	No Message	IBC05YA(T)	0.103	0	0.103
314	Story1	B119	Beam	HSS8X8X1/4	No Message	IBC05YB(C)	0.216	0	0.216
315	Story1	B120	Beam	HSS8X8X1/4	No Message	IBC05YA(C)	0.208	0	0.208
315	Story1	B120	Beam	HSS8X8X1/4	No Message	IBC05YA(T)	0.097	0	0.097
364	Story1	B121	Beam	HSS8X8X1/4	No Message	IBC05YB(C)	0.225	0	0.225
365	Story1	B122	Beam	HSS8X8X1/4	No Message	IBC05YA(C)	0.253	0	0.253
365	Story1	B122	Beam	HSS8X8X1/4	No Message	IBC05YA(T)	0.076	0	0.076
391	Story1	B123	Beam	HSS8X8X1/4	No Message	IBC07YA(C)	0.048	0	0.048
391	Story1	B123	Beam	HSS8X8X1/4	No Message	IBC07YA(T)	0.199	0	0.199
392	Story1	B124	Beam	HSS8X8X1/4	No Message	IBC05YA(C)	0.214	0	0.214
392	Story1	B124	Beam	HSS8X8X1/4	No Message	IBC05YA(T)	0.054	0	0.054
426	Story1	B125	Beam	HSS8X8X1/4	No Message	IBC05YB(C)	0.165	0	0.165
426	Story1	B125	Beam	HSS8X8X1/4	No Message	IBC05YB(T)	0.058	0	0.058
427	Story1	B139	Beam	HSS8X8X1/4	No Message	IBC05YA(C)	0.156	0	0.156
427	Story1	B139	Beam	HSS8X8X1/4	No Message	IBC05YA(T)	0.071	0	0.071
16	Story1	D1	Brace	HSS8X8X1/4	No Message	IBC02(C)	0.025	0.002	0.023
16	Story1	D1	Brace	HSS8X8X1/4	No Message	IBC02(T)	0.011	0.0001125	0.008
144	Story1	D2	Brace	HSS8X8X1/4	No Message	IBC07YA(C)	0.007	0.001	0.006
144	Story1	D2	Brace	HSS8X8X1/4	No Message	IBC07YA(T)	0.031	0.002	0.029
133	Story1	D3	Brace	HSS8X8X1/4	No Message	IBC04YA(C)	0.033	0.0002491	0.031
133	Story1	D3	Brace	HSS8X8X1/4	No Message	IBC04YA(T)	0.024	0.000372	0.023
644	Story1	D4	Brace	HSS8X8X1/4	No Message	IBC02(C)	0.014	0.0003375	0.01
644	Story1	D4	Brace	HSS8X8X1/4	No Message	IBC02(T)	0.008	0.001	0.006
683	Story1	D5	Brace	HSS8X8X1/4	No Message	IBC05XA(C)	0.033	0.005	0.006
683	Story1	D5	Brace	HSS8X8X1/4	No Message	IBC05XA(T)	0.027	0.005	0.006
51	Story1	D6	Brace	HSS8X8X1/4	No Message	IBC02(C)	0.031	0.002	0.027
51	Story1	D6	Brace	HSS8X8X1/4	No Message	IBC02(T)	0.038	0.000296	0.036
84	Story1	D7	Brace	HSS8X8X1/4	No Message	IBC05YB(C)	0.023	0.008	0.012
84	Story1	D7	Brace	HSS8X8X1/4	No Message	IBC05YB(T)	0.028	0.011	0.012
290	Story1	D8	Brace	HSS8X8X1/4	No Message	IBC05YB(C)	0.023	0.008	0.012
290	Story1	D8	Brace	HSS8X8X1/4	No Message	IBC05YB(T)	0.027	0.01	0.012
340	Story1	D9	Brace	HSS8X8X1/4	No Message	IBC02(C)	0.031	0.002	0.027
340	Story1	D9	Brace	HSS8X8X1/4	No Message	IBC02(T)	0.033	0.0002448	0.031
579	Story1	D10	Brace	HSS8X8X1/4	No Message	IBC05XB(C)	0.033	0.005	0.006
579	Story1	D10	Brace	HSS8X8X1/4	No Message	IBC05XB(T)	0.027	0.005	0.006
523	Story1	D11	Brace	HSS8X8X1/4	No Message	IBC02(C)	0.014	0.000338	0.01
523	Story1	D11	Brace	HSS8X8X1/4	No Message	IBC02(T)	0.009	0	0.008
402	Story1	D12	Brace	HSS8X8X1/4	No Message	IBC04YA(C)	0.033	0.0003717	0.031

Table 5.2 - Steel Frame Design Summary - AISC 360-16 (Part 1 of 2, continued)

UniqueName	Story	Label	Design Type	Design Section	Status	PMM Combo	PMM Ratio	P Ratio	M Major Ratio
402	Story1	D12	Brace	HSS8X8X1/4	No Message	IBC04YA(T)	0.024	0.0002627	0.023
443	Story1	D13	Brace	HSS8X8X1/4	No Message	IBC07YA(C)	0.007	0.001	0.006
443	Story1	D13	Brace	HSS8X8X1/4	No Message	IBC07YA(T)	0.031	0.001	0.029
470	Story1	D14	Brace	HSS8X8X1/4	No Message	IBC02(C)	0.025	0.002	0.023
470	Story1	D14	Brace	HSS8X8X1/4	No Message	IBC02(T)	0.011	0.0001086	0.008
6	Story1	D15	Brace	HSS8X8X1/4	No Message	IBC02(C)	0.025	0.001	0.023
6	Story1	D15	Brace	HSS8X8X1/4	No Message	IBC02(T)	0.018	0.001	0.014
635	Story1	D16	Brace	HSS8X8X1/4	No Message	IBC05XA(C)	0.013	0.001	0.004
635	Story1	D16	Brace	HSS8X8X1/4	No Message	IBC05XA(T)	0.017	0.0002721	0.0002686
611	Story1	D17	Brace	HSS8X8X1/4	No Message	IBC05XB(C)	0.423	0.019	0.004
611	Story1	D17	Brace	HSS8X8X1/4	No Message	IBC05XB(T)	0.321	0.013	0.005
612	Story1	D18	Brace	HSS8X8X1/4	No Message	IBC05XA(C)	0.423	0.019	0.004
612	Story1	D18	Brace	HSS8X8X1/4	No Message	IBC05XA(T)	0.321	0.013	0.005
636	Story1	D19	Brace	HSS8X8X1/4	No Message	IBC05XB(C)	0.013	0.001	0.004
636	Story1	D19	Brace	HSS8X8X1/4	No Message	IBC05XB(T)	0.028	0.0002721	0.000273
491	Story1	D20	Brace	HSS8X8X1/4	No Message	IBC02(C)	0.025	0.001	0.023
491	Story1	D20	Brace	HSS8X8X1/4	No Message	IBC02(T)	0.017	0.001	0.014
145	Story1	D21	Brace	HSS8X8X1/4	No Message	IBC02(C)	0.083	0.001	0.081
145	Story1	D21	Brace	HSS8X8X1/4	No Message	IBC02(T)	0.128	0.001	0.126
136	Story1	D22	Brace	HSS8X8X1/4	No Message	IBC05YB(C)	0.147	0.008	0.137
136	Story1	D22	Brace	HSS8X8X1/4	No Message	IBC05YB(T)	0.094	0.005	0.089
645	Story1	D23	Brace	HSS8X8X1/4	No Message	IBC05YA(C)	0.02	0.002	0.011
645	Story1	D23	Brace	HSS8X8X1/4	No Message	IBC05YA(T)	0.06	0.005	0.054
684	Story1	D24	Brace	HSS8X8X1/4	No Message	IBC05YB(C)	0.068	0.007	0.052
684	Story1	D24	Brace	HSS8X8X1/4	No Message	IBC05YB(T)	0.08	0.018	0.06
52	Story1	D25	Brace	HSS8X8X1/4	No Message	IBC05YB(C)	0.201	0.012	0.188
52	Story1	D25	Brace	HSS8X8X1/4	No Message	IBC05YB(T)	0.17	0.011	0.159
85	Story1	D26	Brace	HSS8X8X1/4	No Message	IBC05YB(C)	0.258	0.024	0.233
85	Story1	D26	Brace	HSS8X8X1/4	No Message	IBC05YB(T)	0.239	0.025	0.212
291	Story1	D27	Brace	HSS8X8X1/4	No Message	IBC05YB(C)	0.253	0.023	0.229
291	Story1	D27	Brace	HSS8X8X1/4	No Message	IBC05YB(T)	0.234	0.025	0.208
341	Story1	D28	Brace	HSS8X8X1/4	No Message	IBC05YB(C)	0.199	0.012	0.186
341	Story1	D28	Brace	HSS8X8X1/4	No Message	IBC05YB(T)	0.168	0.011	0.156
580	Story1	D29	Brace	HSS8X8X1/4	No Message	IBC05YB(C)	0.067	0.007	0.051
580	Story1	D29	Brace	HSS8X8X1/4	No Message	IBC05YB(T)	0.079	0.018	0.06
525	Story1	D30	Brace	HSS8X8X1/4	No Message	IBC05YA(C)	0.02	0.002	0.01
525	Story1	D30	Brace	HSS8X8X1/4	No Message	IBC05YA(T)	0.06	0.005	0.054
403	Story1	D31	Brace	HSS8X8X1/4	No Message	IBC05YB(C)	0.146	0.008	0.136
403	Story1	D31	Brace	HSS8X8X1/4	No Message	IBC05YB(T)	0.093	0.005	0.087
444	Story1	D32	Brace	HSS8X8X1/4	No Message	IBC02(C)	0.082	0.001	0.08
444	Story1	D32	Brace	HSS8X8X1/4	No Message	IBC02(T)	0.126	0.001	0.124
544	Story1	D33	Brace	HSS8X8X1/4	No Message	IBC04YA(C)	0.057	0.001	0.056
544	Story1	D33	Brace	HSS8X8X1/4	No Message	IBC04YA(T)	0.036	0.0001841	0.036
551	Story1	D34	Brace	HSS8X8X1/4	No Message	IBC04YA(C)	0.111	0.001	0.11

Table 5.2 - Steel Frame Design Summary - AISC 360-16 (Part 1 of 2, continued)

UniqueName	Story	Label	Design Type	Design Section	Status	PMM Combo	PMM Ratio	P Ratio	M Major Ratio
551	Story1	D34	Brace	HSS8X8X1/4	No Message	IBC04YA(T)	0.072	0.0002209	0.071
553	Story1	D35	Brace	HSS8X8X1/4	No Message	IBC04YA(C)	0.057	0.0003705	0.056
553	Story1	D35	Brace	HSS8X8X1/4	No Message	IBC04YA(T)	0.038	0.001	0.036
555	Story1	D36	Brace	HSS8X8X1/4	No Message	IBC04YA(C)	0.059	0.001	0.057
555	Story1	D36	Brace	HSS8X8X1/4	No Message	IBC04YA(T)	0.038	0.0004765	0.037
557	Story1	D37	Brace	HSS8X8X1/4	No Message	IBC04YA(C)	0.142	0.001	0.14
557	Story1	D37	Brace	HSS8X8X1/4	No Message	IBC04YA(T)	0.028	0.0004617	0.027
559	Story1	D38	Brace	HSS8X8X1/4	No Message	IBC04YA(C)	0.142	0.001	0.14
559	Story1	D38	Brace	HSS8X8X1/4	No Message	IBC04YA(T)	0.028	0.0004418	0.027
561	Story1	D39	Brace	HSS8X8X1/4	No Message	IBC04YA(C)	0.059	0.001	0.057
561	Story1	D39	Brace	HSS8X8X1/4	No Message	IBC04YA(T)	0.038	0.000484	0.037
563	Story1	D40	Brace	HSS8X8X1/4	No Message	IBC04YA(C)	0.057	0.0003314	0.056
563	Story1	D40	Brace	HSS8X8X1/4	No Message	IBC04YA(T)	0.038	0.001	0.036
565	Story1	D41	Brace	HSS8X8X1/4	No Message	IBC04YA(C)	0.111	0.001	0.11
565	Story1	D41	Brace	HSS8X8X1/4	No Message	IBC04YA(T)	0.072	0.0002139	0.071
567	Story1	D42	Brace	HSS8X8X1/4	No Message	IBC04YA(C)	0.057	0.001	0.056
567	Story1	D42	Brace	HSS8X8X1/4	No Message	IBC04YA(T)	0.036	0.0001719	0.036
120	Story1	D43	Brace	HSS8X8X1/4	No Message	IBC07XB(C)	0.009	0.001	0.007
120	Story1	D43	Brace	HSS8X8X1/4	No Message	IBC07XB(T)	0.035	0.003	0.031
121	Story1	D44	Brace	HSS8X8X1/4	No Message	IBC05XB(C)	0.178	0.005	0.172
121	Story1	D44	Brace	HSS8X8X1/4	No Message	IBC05XB(T)	0.161	0.019	0.141
634	Story1	D45	Brace	HSS8X8X1/4	No Message	IBC05XB(C)	0.018	0.002	0.007
634	Story1	D45	Brace	HSS8X8X1/4	No Message	IBC05XB(T)	0.018	0.002	0.007
607	Story1	D46	Brace	HSS8X8X1/4	No Message	IBC07XA(C)	0.553	0.019	0.003
607	Story1	D46	Brace	HSS8X8X1/4	No Message	IBC07XA(T)	0.66	0.008	0.003
608	Story1	D47	Brace	HSS8X8X1/4	No Message	IBC07XB(C)	0.553	0.019	0.003
608	Story1	D47	Brace	HSS8X8X1/4	No Message	IBC07XB(T)	0.66	0.008	0.003
672	Story1	D48	Brace	HSS8X8X1/4	No Message	IBC05XA(C)	0.018	0.002	0.007
672	Story1	D48	Brace	HSS8X8X1/4	No Message	IBC05XA(T)	0.028	0.0003018	0.0003921
490	Story1	D49	Brace	HSS8X8X1/4	No Message	IBC05XA(C)	0.177	0.005	0.172
490	Story1	D49	Brace	HSS8X8X1/4	No Message	IBC05XA(T)	0.162	0.019	0.141
489	Story1	D50	Brace	HSS8X8X1/4	No Message	IBC07XA(C)	0.009	0.001	0.007
489	Story1	D50	Brace	HSS8X8X1/4	No Message	IBC07XA(T)	0.054	0.003	0.051
151	Story1	D51	Brace	HSS6X4X1/4	No Message	IBC07YA(C)	0.015	0.014	0.001
151	Story1	D51	Brace	HSS6X4X1/4	No Message	IBC07YA(T)	0.028	0.025	0.004
163	Story1	D52	Brace	HSS6X4X1/4	No Message	(T)	0.07	0.067	0.003
30	Story1	D53	Brace	HSS6X4X1/4	No Message	(T)	0.065	0.062	0.003
63	Story1	D54	Brace	HSS6X4X1/4	No Message	(T)	0.078	0.075	0.003
96	Story1	D55	Brace	HSS6X4X1/4	No Message	IBC07YA(C)	0.022	0.021	0.001
96	Story1	D55	Brace	HSS6X4X1/4	No Message	IBC07YA(T)	0.075	0.071	0.004
203	Story1	D56	Brace	HSS6X4X1/4	No Message	IBC07YA(C)	0.021	0.019	0.001
203	Story1	D56	Brace	HSS6X4X1/4	No Message	IBC07YA(T)	0.1	0.097	0.004
228	Story1	D57	Brace	HSS6X4X1/4	No Message	IBC07XB(C)	0.019	0.018	0.001
228	Story1	D57	Brace	HSS6X4X1/4	No Message	IBC07XB(T)	0.044	0.041	0.004

Table 5.2 - Steel Frame Design Summary - AISC 360-16 (Part 1 of 2, continued)

UniqueName	Story	Label	Design Type	Design Section	Status	PMM Combo	PMM Ratio	P Ratio	M Major Ratio
253	Story1	D58	Brace	HSS6X4X1/4	No Message	IBC07XA(C)	0.001	0	0.001
253	Story1	D58	Brace	HSS6X4X1/4	No Message	IBC07XA(T)	0.045	0.042	0.003
219	Story1	D59	Brace	HSS8X8X1/4	No Message	IBC05XA(C)	0.028	0.025	0.003
219	Story1	D59	Brace	HSS8X8X1/4	No Message	IBC05XA(T)	0.01	0.009	0.001
216	Story1	D60	Brace	HSS8X8X1/4	No Message	IBC05XB(C)	0.028	0.025	0.003
216	Story1	D60	Brace	HSS8X8X1/4	No Message	IBC05XB(T)	0.01	0.009	0.001
226	Story1	D61	Brace	HSS6X4X1/4	No Message	IBC07XA(C)	0.019	0.017	0.001
226	Story1	D61	Brace	HSS6X4X1/4	No Message	IBC07XA(T)	0.044	0.041	0.004
275	Story1	D62	Brace	HSS6X4X1/4	No Message	IBC07XB(C)	0.002	0.0002707	0.001
275	Story1	D62	Brace	HSS6X4X1/4	No Message	IBC07XB(T)	0.045	0.042	0.003
302	Story1	D63	Brace	HSS6X4X1/4	No Message	IBC07YA(C)	0.022	0.021	0.001
302	Story1	D63	Brace	HSS6X4X1/4	No Message	IBC07YA(T)	0.073	0.069	0.004
327	Story1	D64	Brace	HSS6X4X1/4	No Message	IBC07YA(C)	0.02	0.019	0.001
327	Story1	D64	Brace	HSS6X4X1/4	No Message	IBC07YA(T)	0.098	0.095	0.004
352	Story1	D65	Brace	HSS6X4X1/4	No Message	(T)	0.077	0.074	0.003
379	Story1	D66	Brace	HSS6X4X1/4	No Message	(T)	0.064	0.061	0.003
414	Story1	D67	Brace	HSS6X4X1/4	No Message	(T)	0.07	0.067	0.003
455	Story1	D68	Brace	HSS6X4X1/4	No Message	IBC07YA(C)	0.015	0.014	0.001
455	Story1	D68	Brace	HSS6X4X1/4	No Message	IBC07YA(T)	0.028	0.024	0.004
152	Story1	D69	Brace	HSS6X4X1/4	No Message	IBC07YA(C)	0.015	0.013	0.002
152	Story1	D69	Brace	HSS6X4X1/4	No Message	IBC07YA(T)	0.022	0.019	0.002
164	Story1	D70	Brace	HSS6X4X1/4	No Message	IBC07YA(C)	0.003	0.002	0.001
164	Story1	D70	Brace	HSS6X4X1/4	No Message	IBC07YA(T)	0.051	0.048	0.003
31	Story1	D71	Brace	HSS6X4X1/4	No Message	(T)	0.049	0.047	0.003
64	Story1	D72	Brace	HSS6X4X1/4	No Message	IBC07XA(C)	0.003	0.002	0.001
64	Story1	D72	Brace	HSS6X4X1/4	No Message	IBC07XA(T)	0.064	0.061	0.003
172	Story1	D73	Brace	HSS6X4X1/4	No Message	IBC07YA(C)	0.03	0.029	0.001
172	Story1	D73	Brace	HSS6X4X1/4	No Message	IBC07YA(T)	0.083	0.08	0.003
204	Story1	D74	Brace	HSS6X4X1/4	No Message	IBC07YA(C)	0.028	0.027	0.001
204	Story1	D74	Brace	HSS6X4X1/4	No Message	IBC07YA(T)	0.077	0.073	0.003
254	Story1	D75	Brace	HSS6X4X1/4	No Message	(T)	0.047	0.045	0.003
276	Story1	D76	Brace	HSS6X4X1/4	No Message	(T)	0.047	0.044	0.003
303	Story1	D77	Brace	HSS6X4X1/4	No Message	IBC07YA(C)	0.029	0.028	0.001
303	Story1	D77	Brace	HSS6X4X1/4	No Message	IBC07YA(T)	0.081	0.078	0.003
328	Story1	D78	Brace	HSS6X4X1/4	No Message	IBC07YA(C)	0.028	0.027	0.001
328	Story1	D78	Brace	HSS6X4X1/4	No Message	IBC07YA(T)	0.075	0.071	0.003
353	Story1	D79	Brace	HSS6X4X1/4	No Message	IBC07XB(C)	0.004	0.003	0.001
353	Story1	D79	Brace	HSS6X4X1/4	No Message	IBC07XB(T)	0.063	0.06	0.003
380	Story1	D80	Brace	HSS6X4X1/4	No Message	(T)	0.049	0.046	0.003
415	Story1	D81	Brace	HSS6X4X1/4	No Message	IBC07YA(C)	0.003	0.002	0.001
415	Story1	D81	Brace	HSS6X4X1/4	No Message	IBC07YA(T)	0.051	0.048	0.003
456	Story1	D82	Brace	HSS6X4X1/4	No Message	IBC07YA(C)	0.015	0.013	0.002
456	Story1	D82	Brace	HSS6X4X1/4	No Message	IBC07YA(T)	0.022	0.019	0.002
675	Story1	D83	Brace	HSS8X8X1/4	No Message	IBC05YB(C)	0.142	0.056	0.078

Table 5.2 - Steel Frame Design Summary - AISC 360-16 (Part 1 of 2, continued)

UniqueName	Story	Label	Design Type	Design Section	Status	PMM Combo	PMM Ratio	P Ratio	M Major Ratio
675	Story1	D83	Brace	HSS8X8X1/4	No Message	IBC05YB(T)	0.139	0.001	0.068
119	Story1	D84	Brace	HSS8X8X1/4	No Message	IBC02(C)	0.033	0.006	0.026
119	Story1	D84	Brace	HSS8X8X1/4	No Message	IBC02(T)	0.039	0.009	0.022
143	Story1	D85	Brace	HSS8X8X1/4	No Message	IBC02(C)	0.153	0.035	0.114
143	Story1	D85	Brace	HSS8X8X1/4	No Message	IBC02(T)	0.072	0.038	0.034
147	Story1	D86	Brace	HSS8X8X1/4	No Message	IBC02(C)	0.117	0.081	0.036
21	Story1	D87	Brace	HSS8X8X1/4	No Message	IBC05YB(C)	0.095	0.016	0.074
21	Story1	D87	Brace	HSS8X8X1/4	No Message	IBC05YB(T)	0.099	0.066	0.03
23	Story1	D88	Brace	HSS8X8X1/4	No Message	IBC02(C)	0.122	0.061	0.061
54	Story1	D89	Brace	HSS8X8X1/4	No Message	IBC02(C)	0.156	0.023	0.13
54	Story1	D89	Brace	HSS8X8X1/4	No Message	IBC02(T)	0.125	0.001	0.124
56	Story1	D90	Brace	HSS8X8X1/4	No Message	IBC05XB(C)	0.288	0.256	0.032
56	Story1	D90	Brace	HSS8X8X1/4	No Message	IBC05XB(T)	0.018	0.006	0.011
87	Story1	D91	Brace	HSS8X8X1/4	No Message	IBC05YB(C)	0.075	0.054	0.021
87	Story1	D91	Brace	HSS8X8X1/4	No Message	IBC05YB(T)	0.087	0.061	0.026
89	Story1	D92	Brace	HSS8X8X1/4	No Message	IBC05YB(C)	0.115	0.062	0.05
89	Story1	D92	Brace	HSS8X8X1/4	No Message	IBC05YB(T)	0.036	0.001	0.011
196	Story1	D93	Brace	HSS8X8X1/4	No Message	IBC05YB(C)	0.337	0.318	0.019
196	Story1	D93	Brace	HSS8X8X1/4	No Message	IBC05YB(T)	0.05	0.04	0.01
221	Story1	D94	Brace	HSS8X8X1/4	No Message	IBC05XA(C)	0.06	0.041	0.015
221	Story1	D94	Brace	HSS8X8X1/4	No Message	IBC05XA(T)	0.07	0.053	0.018
246	Story1	D95	Brace	HSS8X8X1/4	No Message	IBC02(C)	0.124	0.05	0.074
246	Story1	D95	Brace	HSS8X8X1/4	No Message	IBC02(T)	0.023	0.001	0.021
223	Story1	D96	Brace	HSS8X8X1/4	No Message	IBC05XB(C)	0.06	0.041	0.015
223	Story1	D96	Brace	HSS8X8X1/4	No Message	IBC05XB(T)	0.07	0.052	0.017
268	Story1	D97	Brace	HSS8X8X1/4	No Message	IBC02(C)	0.124	0.05	0.074
268	Story1	D97	Brace	HSS8X8X1/4	No Message	IBC02(T)	0.023	0.001	0.021
293	Story1	D98	Brace	HSS8X8X1/4	No Message	IBC05YB(C)	0.073	0.052	0.021
293	Story1	D98	Brace	HSS8X8X1/4	No Message	IBC05YB(T)	0.086	0.06	0.026
295	Story1	D99	Brace	HSS8X8X1/4	No Message	IBC05YB(C)	0.112	0.061	0.049
295	Story1	D99	Brace	HSS8X8X1/4	No Message	IBC05YB(T)	0.035	0.001	0.01
320	Story1	D100	Brace	HSS8X8X1/4	No Message	IBC05YB(C)	0.325	0.307	0.018
320	Story1	D100	Brace	HSS8X8X1/4	No Message	IBC05YB(T)	0.049	0.039	0.01
343	Story1	D101	Brace	HSS8X8X1/4	No Message	IBC02(C)	0.153	0.022	0.128
343	Story1	D101	Brace	HSS8X8X1/4	No Message	IBC02(T)	0.124	0.002	0.121
345	Story1	D102	Brace	HSS8X8X1/4	No Message	IBC05XA(C)	0.278	0.247	0.031
345	Story1	D102	Brace	HSS8X8X1/4	No Message	IBC05XA(T)	0.019	0.007	0.012
370	Story1	D103	Brace	HSS8X8X1/4	No Message	IBC05YB(C)	0.094	0.016	0.074
370	Story1	D103	Brace	HSS8X8X1/4	No Message	IBC05YB(T)	0.097	0.065	0.029
372	Story1	D104	Brace	HSS8X8X1/4	No Message	IBC02(C)	0.122	0.061	0.061
405	Story1	D105	Brace	HSS8X8X1/4	No Message	IBC02(C)	0.153	0.036	0.114
405	Story1	D105	Brace	HSS8X8X1/4	No Message	IBC02(T)	0.071	0.038	0.033
407	Story1	D106	Brace	HSS8X8X1/4	No Message	IBC02(C)	0.117	0.081	0.036
700	Story1	D107	Brace	HSS8X8X1/4	No Message	IBC05YB(C)	0.142	0.054	0.079

Table 5.2 - Steel Frame Design Summary - AISC 360-16 (Part 1 of 2, continued)

UniqueName	Story	Label	Design Type	Design Section	Status	PMM Combo	PMM Ratio	P Ratio	M Major Ratio
700	Story1	D107	Brace	HSS8X8X1/4	No Message	IBC05YB(T)	0.14	0.001	0.069
448	Story1	D108	Brace	HSS8X8X1/4	No Message	IBC02(C)	0.033	0.005	0.026
448	Story1	D108	Brace	HSS8X8X1/4	No Message	IBC02(T)	0.038	0.009	0.022
153	Story1	D109	Brace	HSS6X4X1/4	No Message	IBC05YA(C)	0.018	0.014	0.003
153	Story1	D109	Brace	HSS6X4X1/4	No Message	IBC05YA(T)	0.015	0.011	0.003
165	Story1	D110	Brace	HSS6X4X1/4	No Message	IBC07YA(C)	0.011	0.01	0.001
165	Story1	D110	Brace	HSS6X4X1/4	No Message	IBC07YA(T)	0.032	0.028	0.003
32	Story1	D111	Brace	HSS6X4X1/4	No Message	IBC07XA(C)	0.003	0.002	0.001
32	Story1	D111	Brace	HSS6X4X1/4	No Message	IBC07XA(T)	0.026	0.023	0.003
65	Story1	D112	Brace	HSS6X4X1/4	No Message	IBC07XA(C)	0.011	0.01	0.001
65	Story1	D112	Brace	HSS6X4X1/4	No Message	IBC07XA(T)	0.045	0.042	0.003
173	Story1	D113	Brace	HSS6X4X1/4	No Message	IBC07YA(C)	0.032	0.03	0.001
173	Story1	D113	Brace	HSS6X4X1/4	No Message	IBC07YA(T)	0.072	0.068	0.003
205	Story1	D114	Brace	HSS6X4X1/4	No Message	IBC07YA(C)	0.036	0.035	0.001
205	Story1	D114	Brace	HSS6X4X1/4	No Message	IBC07YA(T)	0.065	0.062	0.003
255	Story1	D115	Brace	HSS6X4X1/4	No Message	IBC07XB(C)	0.007	0.006	0.001
255	Story1	D115	Brace	HSS6X4X1/4	No Message	IBC07XB(T)	0.023	0.02	0.003
277	Story1	D116	Brace	HSS6X4X1/4	No Message	IBC07XA(C)	0.007	0.006	0.001
277	Story1	D116	Brace	HSS6X4X1/4	No Message	IBC07XA(T)	0.022	0.019	0.003
304	Story1	D117	Brace	HSS6X4X1/4	No Message	IBC07YA(C)	0.031	0.03	0.001
304	Story1	D117	Brace	HSS6X4X1/4	No Message	IBC07YA(T)	0.07	0.066	0.003
329	Story1	D118	Brace	HSS6X4X1/4	No Message	IBC07YA(C)	0.036	0.034	0.001
329	Story1	D118	Brace	HSS6X4X1/4	No Message	IBC07YA(T)	0.063	0.059	0.003
354	Story1	D119	Brace	HSS6X4X1/4	No Message	IBC07XB(C)	0.012	0.011	0.001
354	Story1	D119	Brace	HSS6X4X1/4	No Message	IBC07XB(T)	0.043	0.04	0.003
381	Story1	D120	Brace	HSS6X4X1/4	No Message	IBC07XB(C)	0.003	0.002	0.001
381	Story1	D120	Brace	HSS6X4X1/4	No Message	IBC07XB(T)	0.025	0.022	0.003
416	Story1	D121	Brace	HSS6X4X1/4	No Message	IBC07YA(C)	0.011	0.01	0.001
416	Story1	D121	Brace	HSS6X4X1/4	No Message	IBC07YA(T)	0.031	0.028	0.003
457	Story1	D122	Brace	HSS6X4X1/4	No Message	IBC05YA(C)	0.017	0.014	0.003
457	Story1	D122	Brace	HSS6X4X1/4	No Message	IBC05YA(T)	0.015	0.011	0.003
7	Story1	D123	Brace	HSS8X8X1/4	No Message	IBC05XA(C)	0.02	0.001	0.019
7	Story1	D123	Brace	HSS8X8X1/4	No Message	IBC05XA(T)	0.039	0.003	0.036
8	Story1	D124	Brace	HSS8X8X1/4	No Message	IBC05XB(C)	0.198	0.003	0.195
8	Story1	D124	Brace	HSS8X8X1/4	No Message	IBC05XB(T)	0.135	0.003	0.132
488	Story1	D125	Brace	HSS8X8X1/4	No Message	IBC05XA(C)	0.198	0.003	0.194
488	Story1	D125	Brace	HSS8X8X1/4	No Message	IBC05XA(T)	0.136	0.003	0.132
487	Story1	D126	Brace	HSS8X8X1/4	No Message	IBC06XA(C)	0.027	0.0001829	0.026
487	Story1	D126	Brace	HSS8X8X1/4	No Message	IBC06XA(T)	0.06	0.002	0.058
154	Story1	D127	Brace	HSS6X4X1/4	No Message	IBC07YA(C)	0.005	0.004	0.001
154	Story1	D127	Brace	HSS6X4X1/4	No Message	IBC07YA(T)	0.023	0.019	0.003
166	Story1	D128	Brace	HSS6X4X1/4	No Message	IBC05YA(C)	0.021	0.018	0.003
166	Story1	D128	Brace	HSS6X4X1/4	No Message	IBC05YA(T)	0.017	0.014	0.003
33	Story1	D129	Brace	HSS6X4X1/4	No Message	IBC07XA(C)	0.009	0.007	0.001

Table 5.2 - Steel Frame Design Summary - AISC 360-16 (Part 1 of 2, continued)

UniqueName	Story	Label	Design Type	Design Section	Status	PMM Combo	PMM Ratio	P Ratio	M Major Ratio
33	Story1	D129	Brace	HSS6X4X1/4	No Message	IBC07XA(T)	0.014	0.011	0.003
66	Story1	D130	Brace	HSS6X4X1/4	No Message	IBC07XA(C)	0.018	0.017	0.001
66	Story1	D130	Brace	HSS6X4X1/4	No Message	IBC07XA(T)	0.03	0.027	0.003
177	Story1	D131	Brace	HSS6X4X1/4	No Message	IBC07YA(C)	0.03	0.029	0.001
177	Story1	D131	Brace	HSS6X4X1/4	No Message	IBC07YA(T)	0.091	0.087	0.003
206	Story1	D132	Brace	HSS6X4X1/4	No Message	IBC05YA(C)	0.057	0.054	0.003
206	Story1	D132	Brace	HSS6X4X1/4	No Message	IBC05YA(T)	0.033	0.032	0.001
256	Story1	D133	Brace	HSS6X4X1/4	No Message	IBC05XB(C)	0.018	0.015	0.003
256	Story1	D133	Brace	HSS6X4X1/4	No Message	IBC05XB(T)	0.008	0.006	0.001
278	Story1	D134	Brace	HSS6X4X1/4	No Message	IBC05YA(C)	0.018	0.015	0.003
278	Story1	D134	Brace	HSS6X4X1/4	No Message	IBC05YA(T)	0.007	0.006	0.001
305	Story1	D135	Brace	HSS6X4X1/4	No Message	IBC07YA(C)	0.03	0.029	0.001
305	Story1	D135	Brace	HSS6X4X1/4	No Message	IBC07YA(T)	0.087	0.084	0.003
330	Story1	D136	Brace	HSS6X4X1/4	No Message	IBC05YA(C)	0.056	0.052	0.003
330	Story1	D136	Brace	HSS6X4X1/4	No Message	IBC05YA(T)	0.032	0.031	0.001
355	Story1	D137	Brace	HSS6X4X1/4	No Message	IBC07XB(C)	0.019	0.018	0.001
355	Story1	D137	Brace	HSS6X4X1/4	No Message	IBC07XB(T)	0.029	0.025	0.003
382	Story1	D138	Brace	HSS6X4X1/4	No Message	IBC05XB(C)	0.009	0.006	0.003
382	Story1	D138	Brace	HSS6X4X1/4	No Message	IBC05XB(T)	0.013	0.01	0.003
417	Story1	D139	Brace	HSS6X4X1/4	No Message	IBC05YA(C)	0.021	0.017	0.003
417	Story1	D139	Brace	HSS6X4X1/4	No Message	IBC05YA(T)	0.017	0.014	0.003
458	Story1	D140	Brace	HSS6X4X1/4	No Message	IBC07YA(C)	0.005	0.004	0.001
458	Story1	D140	Brace	HSS6X4X1/4	No Message	IBC07YA(T)	0.023	0.019	0.003
158	Story1	D141	Brace	HSS6X4X1/4	No Message	IBC07YB(C)	0.005	0.003	0.001
158	Story1	D141	Brace	HSS6X4X1/4	No Message	IBC07YB(T)	0.022	0.019	0.003
170	Story1	D142	Brace	HSS6X4X1/4	No Message	IBC05YB(C)	0.019	0.016	0.003
170	Story1	D142	Brace	HSS6X4X1/4	No Message	IBC05YB(T)	0.015	0.011	0.003
37	Story1	D143	Brace	HSS6X4X1/4	No Message	IBC05XA(C)	0.011	0.008	0.003
37	Story1	D143	Brace	HSS6X4X1/4	No Message	IBC05XA(T)	0.014	0.011	0.003
70	Story1	D144	Brace	HSS6X4X1/4	No Message	IBC07XA(C)	0.015	0.014	0.001
70	Story1	D144	Brace	HSS6X4X1/4	No Message	IBC07XA(T)	0.026	0.023	0.003
183	Story1	D145	Brace	HSS6X4X1/4	No Message	IBC07YB(C)	0.028	0.027	0.001
183	Story1	D145	Brace	HSS6X4X1/4	No Message	IBC07YB(T)	0.088	0.085	0.003
210	Story1	D146	Brace	HSS6X4X1/4	No Message	IBC05YB(C)	0.058	0.054	0.003
210	Story1	D146	Brace	HSS6X4X1/4	No Message	IBC05YB(T)	0.033	0.032	0.001
260	Story1	D147	Brace	HSS6X4X1/4	No Message	IBC05XB(C)	0.019	0.016	0.003
260	Story1	D147	Brace	HSS6X4X1/4	No Message	IBC05XB(T)	0.007	0.006	0.001
282	Story1	D148	Brace	HSS6X4X1/4	No Message	IBC05XA(C)	0.019	0.015	0.003
282	Story1	D148	Brace	HSS6X4X1/4	No Message	IBC05XA(T)	0.007	0.005	0.001
309	Story1	D149	Brace	HSS6X4X1/4	No Message	IBC07YB(C)	0.028	0.027	0.001
309	Story1	D149	Brace	HSS6X4X1/4	No Message	IBC07YB(T)	0.084	0.081	0.003
334	Story1	D150	Brace	HSS6X4X1/4	No Message	IBC05YB(C)	0.057	0.053	0.003
334	Story1	D150	Brace	HSS6X4X1/4	No Message	IBC05YB(T)	0.033	0.031	0.001
359	Story1	D151	Brace	HSS6X4X1/4	No Message	IBC07XB(C)	0.016	0.015	0.001

Table 5.2 - Steel Frame Design Summary - AISC 360-16 (Part 1 of 2, continued)

UniqueName	Story	Label	Design Type	Design Section	Status	PMM Combo	PMM Ratio	P Ratio	M Major Ratio
359	Story1	D151	Brace	HSS6X4X1/4	No Message	IBC07XB(T)	0.024	0.021	0.003
386	Story1	D152	Brace	HSS6X4X1/4	No Message	IBC05XB(C)	0.012	0.008	0.003
386	Story1	D152	Brace	HSS6X4X1/4	No Message	IBC05XB(T)	0.013	0.01	0.003
421	Story1	D153	Brace	HSS6X4X1/4	No Message	IBC05YB(C)	0.019	0.016	0.003
421	Story1	D153	Brace	HSS6X4X1/4	No Message	IBC05YB(T)	0.015	0.011	0.003
462	Story1	D154	Brace	HSS6X4X1/4	No Message	IBC07YB(C)	0.004	0.003	0.001
462	Story1	D154	Brace	HSS6X4X1/4	No Message	IBC07YB(T)	0.022	0.019	0.003
4	Story1	D155	Brace	HSS8X8X1/4	No Message	IBC06XB(C)	0.021	0.0004654	0.02
4	Story1	D155	Brace	HSS8X8X1/4	No Message	IBC06XB(T)	0.054	0.002	0.051
5	Story1	D156	Brace	HSS8X8X1/4	No Message	IBC05XB(C)	0.198	0.003	0.194
5	Story1	D156	Brace	HSS8X8X1/4	No Message	IBC05XB(T)	0.135	0.003	0.132
486	Story1	D157	Brace	HSS8X8X1/4	No Message	IBC05XA(C)	0.198	0.003	0.194
486	Story1	D157	Brace	HSS8X8X1/4	No Message	IBC05XA(T)	0.136	0.003	0.132
485	Story1	D158	Brace	HSS8X8X1/4	No Message	IBC06XA(C)	0.027	0.0001886	0.026
485	Story1	D158	Brace	HSS8X8X1/4	No Message	IBC06XA(T)	0.06	0.002	0.058
157	Story1	D159	Brace	HSS6X4X1/4	No Message	IBC05YB(C)	0.017	0.014	0.003
157	Story1	D159	Brace	HSS6X4X1/4	No Message	IBC05YB(T)	0.015	0.012	0.003
169	Story1	D160	Brace	HSS6X4X1/4	No Message	IBC07YB(C)	0.009	0.008	0.001
169	Story1	D160	Brace	HSS6X4X1/4	No Message	IBC07YB(T)	0.029	0.026	0.003
36	Story1	D161	Brace	HSS6X4X1/4	No Message	IBC07XA(C)	0.005	0.003	0.001
36	Story1	D161	Brace	HSS6X4X1/4	No Message	IBC07XA(T)	0.026	0.023	0.003
69	Story1	D162	Brace	HSS6X4X1/4	No Message	IBC07XA(C)	0.008	0.007	0.001
69	Story1	D162	Brace	HSS6X4X1/4	No Message	IBC07XA(T)	0.041	0.037	0.003
181	Story1	D163	Brace	HSS6X4X1/4	No Message	IBC07YB(C)	0.031	0.03	0.001
181	Story1	D163	Brace	HSS6X4X1/4	No Message	IBC07YB(T)	0.07	0.067	0.003
209	Story1	D164	Brace	HSS6X4X1/4	No Message	IBC07YB(C)	0.035	0.034	0.001
209	Story1	D164	Brace	HSS6X4X1/4	No Message	IBC07YB(T)	0.064	0.06	0.003
259	Story1	D165	Brace	HSS6X4X1/4	No Message	IBC07XB(C)	0.007	0.006	0.001
259	Story1	D165	Brace	HSS6X4X1/4	No Message	IBC07XB(T)	0.022	0.019	0.003
281	Story1	D166	Brace	HSS6X4X1/4	No Message	IBC07XA(C)	0.007	0.006	0.001
281	Story1	D166	Brace	HSS6X4X1/4	No Message	IBC07XA(T)	0.021	0.018	0.003
308	Story1	D167	Brace	HSS6X4X1/4	No Message	IBC07YB(C)	0.03	0.029	0.001
308	Story1	D167	Brace	HSS6X4X1/4	No Message	IBC07YB(T)	0.068	0.065	0.003
333	Story1	D168	Brace	HSS6X4X1/4	No Message	IBC07YB(C)	0.035	0.034	0.001
333	Story1	D168	Brace	HSS6X4X1/4	No Message	IBC07YB(T)	0.062	0.058	0.003
358	Story1	D169	Brace	HSS6X4X1/4	No Message	IBC07XB(C)	0.009	0.008	0.001
358	Story1	D169	Brace	HSS6X4X1/4	No Message	IBC07XB(T)	0.039	0.036	0.003
385	Story1	D170	Brace	HSS6X4X1/4	No Message	IBC07XB(C)	0.005	0.004	0.001
385	Story1	D170	Brace	HSS6X4X1/4	No Message	IBC07XB(T)	0.025	0.022	0.003
420	Story1	D171	Brace	HSS6X4X1/4	No Message	IBC07YB(C)	0.009	0.008	0.001
420	Story1	D171	Brace	HSS6X4X1/4	No Message	IBC07YB(T)	0.029	0.026	0.003
461	Story1	D172	Brace	HSS6X4X1/4	No Message	IBC05YB(C)	0.017	0.014	0.003
461	Story1	D172	Brace	HSS6X4X1/4	No Message	IBC05YB(T)	0.015	0.011	0.003
638	Story1	D173	Brace	HSS8X8X1/4	No Message	IBC05YA(C)	0.144	0.057	0.079

Table 5.2 - Steel Frame Design Summary - AISC 360-16 (Part 1 of 2, continued)

UniqueName	Story	Label	Design Type	Design Section	Status	PMM Combo	PMM Ratio	P Ratio	M Major Ratio
638	Story1	D173	Brace	HSS8X8X1/4	No Message	IBC05YA(T)	0.123	0.011	0.076
107	Story1	D174	Brace	HSS8X8X1/4	No Message	IBC02(C)	0.033	0.006	0.026
107	Story1	D174	Brace	HSS8X8X1/4	No Message	IBC02(T)	0.038	0.009	0.021
138	Story1	D175	Brace	HSS8X8X1/4	No Message	IBC02(C)	0.145	0.032	0.11
138	Story1	D175	Brace	HSS8X8X1/4	No Message	IBC02(T)	0.072	0.038	0.034
146	Story1	D176	Brace	HSS8X8X1/4	No Message	IBC02(C)	0.117	0.081	0.036
20	Story1	D177	Brace	HSS8X8X1/4	No Message	IBC05YA(C)	0.102	0.016	0.082
20	Story1	D177	Brace	HSS8X8X1/4	No Message	IBC05YA(T)	0.099	0.069	0.029
22	Story1	D178	Brace	HSS8X8X1/4	No Message	IBC02(C)	0.122	0.061	0.061
53	Story1	D179	Brace	HSS8X8X1/4	No Message	IBC02(C)	0.148	0.019	0.127
53	Story1	D179	Brace	HSS8X8X1/4	No Message	IBC02(T)	0.138	0.014	0.122
55	Story1	D180	Brace	HSS8X8X1/4	No Message	IBC05XB(C)	0.286	0.254	0.032
55	Story1	D180	Brace	HSS8X8X1/4	No Message	IBC05XB(T)	0.017	0.005	0.011
86	Story1	D181	Brace	HSS8X8X1/4	No Message	IBC05YA(C)	0.08	0.059	0.02
86	Story1	D181	Brace	HSS8X8X1/4	No Message	IBC05YA(T)	0.087	0.061	0.026
88	Story1	D182	Brace	HSS8X8X1/4	No Message	IBC05YA(C)	0.118	0.064	0.051
88	Story1	D182	Brace	HSS8X8X1/4	No Message	IBC05YA(T)	0.037	0.002	0.011
195	Story1	D183	Brace	HSS8X8X1/4	No Message	IBC05YA(C)	0.332	0.313	0.018
195	Story1	D183	Brace	HSS8X8X1/4	No Message	IBC05YA(T)	0.049	0.039	0.011
220	Story1	D184	Brace	HSS8X8X1/4	No Message	IBC05XA(C)	0.059	0.041	0.016
220	Story1	D184	Brace	HSS8X8X1/4	No Message	IBC05XA(T)	0.071	0.053	0.018
245	Story1	D185	Brace	HSS8X8X1/4	No Message	IBC04YB(C)	0.125	0.016	0.109
245	Story1	D185	Brace	HSS8X8X1/4	No Message	IBC04YB(T)	0.022	0.001	0.02
217	Story1	D186	Brace	HSS8X8X1/4	No Message	IBC05XB(C)	0.059	0.041	0.016
217	Story1	D186	Brace	HSS8X8X1/4	No Message	IBC05XB(T)	0.07	0.053	0.017
267	Story1	D187	Brace	HSS8X8X1/4	No Message	IBC04YB(C)	0.125	0.016	0.109
267	Story1	D187	Brace	HSS8X8X1/4	No Message	IBC04YB(T)	0.022	0.001	0.02
292	Story1	D188	Brace	HSS8X8X1/4	No Message	IBC05YA(C)	0.078	0.057	0.02
292	Story1	D188	Brace	HSS8X8X1/4	No Message	IBC05YA(T)	0.086	0.06	0.025
294	Story1	D189	Brace	HSS8X8X1/4	No Message	IBC05YA(C)	0.115	0.063	0.05
294	Story1	D189	Brace	HSS8X8X1/4	No Message	IBC05YA(T)	0.036	0.002	0.01
319	Story1	D190	Brace	HSS8X8X1/4	No Message	IBC05YA(C)	0.32	0.302	0.018
319	Story1	D190	Brace	HSS8X8X1/4	No Message	IBC05YA(T)	0.048	0.038	0.01
342	Story1	D191	Brace	HSS8X8X1/4	No Message	IBC02(C)	0.145	0.018	0.125
342	Story1	D191	Brace	HSS8X8X1/4	No Message	IBC02(T)	0.136	0.014	0.119
344	Story1	D192	Brace	HSS8X8X1/4	No Message	IBC05XA(C)	0.276	0.245	0.031
344	Story1	D192	Brace	HSS8X8X1/4	No Message	IBC05XA(T)	0.019	0.006	0.012
369	Story1	D193	Brace	HSS8X8X1/4	No Message	IBC05YA(C)	0.101	0.016	0.082
369	Story1	D193	Brace	HSS8X8X1/4	No Message	IBC05YA(T)	0.097	0.068	0.028
371	Story1	D194	Brace	HSS8X8X1/4	No Message	IBC02(C)	0.122	0.061	0.061
404	Story1	D195	Brace	HSS8X8X1/4	No Message	IBC02(C)	0.146	0.032	0.11
404	Story1	D195	Brace	HSS8X8X1/4	No Message	IBC02(T)	0.072	0.038	0.033
406	Story1	D196	Brace	HSS8X8X1/4	No Message	IBC02(C)	0.117	0.081	0.036
697	Story1	D197	Brace	HSS8X8X1/4	No Message	IBC05YA(C)	0.144	0.056	0.08

Table 5.2 - Steel Frame Design Summary - AISC 360-16 (Part 1 of 2, continued)

UniqueName	Story	Label	Design Type	Design Section	Status	PMM Combo	PMM Ratio	P Ratio	M Major Ratio
697	Story1	D197	Brace	HSS8X8X1/4	No Message	IBC05YA(T)	0.124	0.012	0.077
447	Story1	D198	Brace	HSS8X8X1/4	No Message	IBC02(C)	0.033	0.006	0.026
447	Story1	D198	Brace	HSS8X8X1/4	No Message	IBC02(T)	0.038	0.009	0.02
156	Story1	D199	Brace	HSS6X4X1/4	No Message	IBC07YB(C)	0.016	0.013	0.002
156	Story1	D199	Brace	HSS6X4X1/4	No Message	IBC07YB(T)	0.023	0.019	0.002
168	Story1	D200	Brace	HSS6X4X1/4	No Message	(T)	0.05	0.047	0.003
35	Story1	D201	Brace	HSS6X4X1/4	No Message	(T)	0.049	0.046	0.003
68	Story1	D202	Brace	HSS6X4X1/4	No Message	(T)	0.061	0.059	0.003
180	Story1	D203	Brace	HSS6X4X1/4	No Message	IBC07YB(C)	0.029	0.028	0.001
180	Story1	D203	Brace	HSS6X4X1/4	No Message	IBC07YB(T)	0.082	0.079	0.003
208	Story1	D204	Brace	HSS6X4X1/4	No Message	IBC07YB(C)	0.028	0.026	0.001
208	Story1	D204	Brace	HSS6X4X1/4	No Message	IBC07YB(T)	0.075	0.072	0.003
258	Story1	D205	Brace	HSS6X4X1/4	No Message	(T)	0.047	0.044	0.003
280	Story1	D206	Brace	HSS6X4X1/4	No Message	(T)	0.047	0.044	0.003
307	Story1	D207	Brace	HSS6X4X1/4	No Message	IBC07YB(C)	0.029	0.028	0.001
307	Story1	D207	Brace	HSS6X4X1/4	No Message	IBC07YB(T)	0.08	0.077	0.003
332	Story1	D208	Brace	HSS6X4X1/4	No Message	IBC07YB(C)	0.027	0.026	0.001
332	Story1	D208	Brace	HSS6X4X1/4	No Message	IBC07YB(T)	0.073	0.07	0.003
357	Story1	D209	Brace	HSS6X4X1/4	No Message	(T)	0.06	0.057	0.003
384	Story1	D210	Brace	HSS6X4X1/4	No Message	(T)	0.048	0.046	0.003
419	Story1	D211	Brace	HSS6X4X1/4	No Message	(T)	0.05	0.047	0.003
460	Story1	D212	Brace	HSS6X4X1/4	No Message	IBC07YB(C)	0.016	0.012	0.002
460	Story1	D212	Brace	HSS6X4X1/4	No Message	IBC07YB(T)	0.023	0.019	0.002
155	Story1	D213	Brace	HSS6X4X1/4	No Message	IBC07YB(C)	0.016	0.014	0.001
155	Story1	D213	Brace	HSS6X4X1/4	No Message	IBC07YB(T)	0.029	0.025	0.004
167	Story1	D214	Brace	HSS6X4X1/4	No Message	(T)	0.069	0.066	0.003
34	Story1	D215	Brace	HSS6X4X1/4	No Message	(T)	0.066	0.063	0.003
67	Story1	D216	Brace	HSS6X4X1/4	No Message	(T)	0.079	0.076	0.003
178	Story1	D217	Brace	HSS6X4X1/4	No Message	IBC07YB(C)	0.021	0.02	0.001
178	Story1	D217	Brace	HSS6X4X1/4	No Message	IBC07YB(T)	0.076	0.072	0.004
207	Story1	D218	Brace	HSS6X4X1/4	No Message	IBC07YB(C)	0.019	0.018	0.001
207	Story1	D218	Brace	HSS6X4X1/4	No Message	IBC07YB(T)	0.1	0.097	0.004
232	Story1	D219	Brace	HSS6X4X1/4	No Message	IBC07XB(C)	0.018	0.017	0.001
232	Story1	D219	Brace	HSS6X4X1/4	No Message	IBC07XB(T)	0.044	0.041	0.004
257	Story1	D220	Brace	HSS6X4X1/4	No Message	(T)	0.047	0.044	0.003
218	Story1	D221	Brace	HSS8X8X1/4	No Message	IBC05XA(C)	0.028	0.025	0.003
218	Story1	D221	Brace	HSS8X8X1/4	No Message	IBC05XA(T)	0.01	0.009	0.001
215	Story1	D222	Brace	HSS8X8X1/4	No Message	IBC05XB(C)	0.028	0.025	0.003
215	Story1	D222	Brace	HSS8X8X1/4	No Message	IBC05XB(T)	0.01	0.009	0.001
229	Story1	D223	Brace	HSS6X4X1/4	No Message	IBC07XA(C)	0.018	0.017	0.001
229	Story1	D223	Brace	HSS6X4X1/4	No Message	IBC07XA(T)	0.044	0.041	0.004
279	Story1	D224	Brace	HSS6X4X1/4	No Message	(T)	0.046	0.044	0.003
306	Story1	D225	Brace	HSS6X4X1/4	No Message	IBC07YB(C)	0.021	0.02	0.001
306	Story1	D225	Brace	HSS6X4X1/4	No Message	IBC07YB(T)	0.074	0.071	0.004

Table 5.2 - Steel Frame Design Summary - AISC 360-16 (Part 1 of 2, continued)

UniqueName	Story	Label	Design Type	Design Section	Status	PMM Combo	PMM Ratio	P Ratio	M Major Ratio
331	Story1	D226	Brace	HSS6X4X1/4	No Message	IBC07YB(C)	0.019	0.017	0.001
331	Story1	D226	Brace	HSS6X4X1/4	No Message	IBC07YB(T)	0.098	0.095	0.004
356	Story1	D227	Brace	HSS6X4X1/4	No Message	(T)	0.078	0.075	0.003
383	Story1	D228	Brace	HSS6X4X1/4	No Message	(T)	0.065	0.063	0.003
418	Story1	D229	Brace	HSS6X4X1/4	No Message	(T)	0.069	0.066	0.003
459	Story1	D230	Brace	HSS6X4X1/4	No Message	IBC07YB(C)	0.016	0.014	0.001
459	Story1	D230	Brace	HSS6X4X1/4	No Message	IBC07YB(T)	0.028	0.024	0.004
2	Story1	D231	Brace	HSS8X8X1/4	No Message	IBC07XB(C)	0.009	0.001	0.007
2	Story1	D231	Brace	HSS8X8X1/4	No Message	IBC07XB(T)	0.051	0.003	0.047
3	Story1	D232	Brace	HSS8X8X1/4	No Message	IBC05XB(C)	0.176	0.005	0.17
3	Story1	D232	Brace	HSS8X8X1/4	No Message	IBC05XB(T)	0.171	0.022	0.147
520	Story1	D233	Brace	HSS8X8X1/4	No Message	IBC05XB(C)	0.018	0.002	0.007
520	Story1	D233	Brace	HSS8X8X1/4	No Message	IBC05XB(T)	0.018	0.002	0.007
509	Story1	D234	Brace	HSS8X8X1/4	No Message	IBC07XA(C)	0.551	0.019	0.003
509	Story1	D234	Brace	HSS8X8X1/4	No Message	IBC07XA(T)	0.659	0.008	0.003
512	Story1	D235	Brace	HSS8X8X1/4	No Message	IBC07XB(C)	0.552	0.019	0.003
512	Story1	D235	Brace	HSS8X8X1/4	No Message	IBC07XB(T)	0.659	0.008	0.003
535	Story1	D236	Brace	HSS8X8X1/4	No Message	IBC05XA(C)	0.018	0.002	0.007
535	Story1	D236	Brace	HSS8X8X1/4	No Message	IBC05XA(T)	0.028	0.000301	0.0003886
484	Story1	D237	Brace	HSS8X8X1/4	No Message	IBC05XA(C)	0.175	0.005	0.169
484	Story1	D237	Brace	HSS8X8X1/4	No Message	IBC05XA(T)	0.172	0.022	0.148
483	Story1	D238	Brace	HSS8X8X1/4	No Message	IBC07XA(C)	0.009	0.001	0.007
483	Story1	D238	Brace	HSS8X8X1/4	No Message	IBC07XA(T)	0.055	0.003	0.051
546	Story1	D239	Brace	HSS8X8X1/4	No Message	IBC04YB(C)	0.097	0.001	0.096
546	Story1	D239	Brace	HSS8X8X1/4	No Message	IBC04YB(T)	0.066	0.0001032	0.066
552	Story1	D240	Brace	HSS8X8X1/4	No Message	IBC04YB(C)	0.192	0.001	0.19
552	Story1	D240	Brace	HSS8X8X1/4	No Message	IBC04YB(T)	0.131	0	0.13
554	Story1	D241	Brace	HSS8X8X1/4	No Message	IBC04YB(C)	0.098	0.0003957	0.096
554	Story1	D241	Brace	HSS8X8X1/4	No Message	IBC04YB(T)	0.067	0.001	0.066
556	Story1	D242	Brace	HSS8X8X1/4	No Message	IBC04YB(C)	0.098	0.001	0.096
556	Story1	D242	Brace	HSS8X8X1/4	No Message	IBC04YB(T)	0.067	0.001	0.066
558	Story1	D243	Brace	HSS8X8X1/4	No Message	IBC04YB(C)	0.239	0.001	0.238
558	Story1	D243	Brace	HSS8X8X1/4	No Message	IBC04YB(T)	0.028	0.001	0.027
560	Story1	D244	Brace	HSS8X8X1/4	No Message	IBC04YB(C)	0.239	0.001	0.238
560	Story1	D244	Brace	HSS8X8X1/4	No Message	IBC04YB(T)	0.028	0.001	0.027
562	Story1	D245	Brace	HSS8X8X1/4	No Message	IBC04YB(C)	0.098	0.001	0.096
562	Story1	D245	Brace	HSS8X8X1/4	No Message	IBC04YB(T)	0.067	0.001	0.066
564	Story1	D246	Brace	HSS8X8X1/4	No Message	IBC04YB(C)	0.098	0.000361	0.096
564	Story1	D246	Brace	HSS8X8X1/4	No Message	IBC04YB(T)	0.068	0.001	0.066
566	Story1	D247	Brace	HSS8X8X1/4	No Message	IBC04YB(C)	0.192	0.001	0.19
566	Story1	D247	Brace	HSS8X8X1/4	No Message	IBC04YB(T)	0.131	0	0.13
568	Story1	D248	Brace	HSS8X8X1/4	No Message	IBC04YB(C)	0.097	0.001	0.096
568	Story1	D248	Brace	HSS8X8X1/4	No Message	IBC04YB(T)	0.066	0.0001102	0.066
142	Story1	D249	Brace	HSS8X8X1/4	No Message	IBC04YA(C)	0.093	0.0004498	0.092

Table 5.2 - Steel Frame Design Summary - AISC 360-16 (Part 1 of 2, continued)

UniqueName	Story	Label	Design Type	Design Section	Status	PMM Combo	PMM Ratio	P Ratio	M Major Ratio
142	Story1	D249	Brace	HSS8X8X1/4	No Message	IBC04YA(T)	0.128	0.001	0.127
130	Story1	D250	Brace	HSS8X8X1/4	No Message	IBC05YA(C)	0.113	0.006	0.104
130	Story1	D250	Brace	HSS8X8X1/4	No Message	IBC05YA(T)	0.107	0.0003984	0.105
50	Story1	D251	Brace	HSS8X8X1/4	No Message	IBC05YA(C)	0.222	0.02	0.2
50	Story1	D251	Brace	HSS8X8X1/4	No Message	IBC05YA(T)	0.209	0.017	0.188
83	Story1	D252	Brace	HSS8X8X1/4	No Message	IBC05YA(C)	0.258	0.023	0.234
83	Story1	D252	Brace	HSS8X8X1/4	No Message	IBC05YA(T)	0.237	0.024	0.212
289	Story1	D253	Brace	HSS8X8X1/4	No Message	IBC05YA(C)	0.253	0.022	0.229
289	Story1	D253	Brace	HSS8X8X1/4	No Message	IBC05YA(T)	0.232	0.023	0.208
339	Story1	D254	Brace	HSS8X8X1/4	No Message	IBC05YA(C)	0.218	0.019	0.197
339	Story1	D254	Brace	HSS8X8X1/4	No Message	IBC05YA(T)	0.206	0.017	0.186
401	Story1	D255	Brace	HSS8X8X1/4	No Message	IBC05YA(C)	0.113	0.006	0.104
401	Story1	D255	Brace	HSS8X8X1/4	No Message	IBC05YA(T)	0.106	0.0001072	0.104
442	Story1	D256	Brace	HSS8X8X1/4	No Message	IBC04YA(C)	0.094	0.0004623	0.093
442	Story1	D256	Brace	HSS8X8X1/4	No Message	IBC04YA(T)	0.127	0.0004831	0.125
1	Story1	D257	Brace	HSS8X8X1/4	No Message	IBC02(C)	0.025	0.001	0.023
1	Story1	D257	Brace	HSS8X8X1/4	No Message	IBC02(T)	0.018	0.001	0.014
521	Story1	D258	Brace	HSS8X8X1/4	No Message	IBC05XA(C)	0.013	0.001	0.004
521	Story1	D258	Brace	HSS8X8X1/4	No Message	IBC05XA(T)	0.017	0.0002786	0.0002943
516	Story1	D259	Brace	HSS8X8X1/4	No Message	IBC05XB(C)	0.421	0.019	0.004
516	Story1	D259	Brace	HSS8X8X1/4	No Message	IBC05XB(T)	0.32	0.013	0.005
518	Story1	D260	Brace	HSS8X8X1/4	No Message	IBC05XA(C)	0.422	0.019	0.004
518	Story1	D260	Brace	HSS8X8X1/4	No Message	IBC05XA(T)	0.32	0.013	0.005
532	Story1	D261	Brace	HSS8X8X1/4	No Message	IBC05XB(C)	0.013	0.001	0.004
532	Story1	D261	Brace	HSS8X8X1/4	No Message	IBC05XB(T)	0.028	0.0002789	0.0003001
482	Story1	D262	Brace	HSS8X8X1/4	No Message	IBC02(C)	0.025	0.001	0.023
482	Story1	D262	Brace	HSS8X8X1/4	No Message	IBC02(T)	0.018	0.001	0.014
14	Story1	D263	Brace	HSS8X8X1/4	No Message	IBC02(C)	0.025	0.002	0.023
14	Story1	D263	Brace	HSS8X8X1/4	No Message	IBC02(T)	0.012	0	0.01
141	Story1	D264	Brace	HSS8X8X1/4	No Message	IBC07YB(C)	0.007	0.001	0.006
141	Story1	D264	Brace	HSS8X8X1/4	No Message	IBC07YB(T)	0.049	0.001	0.047
129	Story1	D265	Brace	HSS8X8X1/4	No Message	IBC04YB(C)	0.036	0.0001158	0.034
129	Story1	D265	Brace	HSS8X8X1/4	No Message	IBC04YB(T)	0.03	0.000264	0.029
49	Story1	D266	Brace	HSS8X8X1/4	No Message	IBC04YB(C)	0.029	0.001	0.027
49	Story1	D266	Brace	HSS8X8X1/4	No Message	IBC04YB(T)	0.035	0.0001422	0.034
82	Story1	D267	Brace	HSS8X8X1/4	No Message	IBC05YA(C)	0.022	0.008	0.012
82	Story1	D267	Brace	HSS8X8X1/4	No Message	IBC05YA(T)	0.038	0.003	0.034
288	Story1	D268	Brace	HSS8X8X1/4	No Message	IBC05YA(C)	0.022	0.008	0.012
288	Story1	D268	Brace	HSS8X8X1/4	No Message	IBC05YA(T)	0.038	0.003	0.034
338	Story1	D269	Brace	HSS8X8X1/4	No Message	IBC04YB(C)	0.029	0.0004971	0.027
338	Story1	D269	Brace	HSS8X8X1/4	No Message	IBC04YB(T)	0.035	0.0002226	0.034
400	Story1	D270	Brace	HSS8X8X1/4	No Message	IBC04YB(C)	0.036	0.0001063	0.034
400	Story1	D270	Brace	HSS8X8X1/4	No Message	IBC04YB(T)	0.03	0.0002865	0.029
441	Story1	D271	Brace	HSS8X8X1/4	No Message	IBC07YB(C)	0.007	0.001	0.006

Table 5.2 - Steel Frame Design Summary - AISC 360-16 (Part 1 of 2, continued)

UniqueName	Story	Label	Design Type	Design Section	Status	PMM Combo	PMM Ratio	P Ratio	M Major Ratio
441	Story1	D271	Brace	HSS8X8X1/4	No Message	IBC07YB(T)	0.049	0.001	0.047
469	Story1	D272	Brace	HSS8X8X1/4	No Message	IBC02(C)	0.025	0.002	0.023
469	Story1	D272	Brace	HSS8X8X1/4	No Message	IBC02(T)	0.012	0	0.01

Table 5.2 - Steel Frame Design Summary - AISC 360-16 (Part 2 of 2)

UniqueName	M Minor Ratio	V Major Combo	V Major Ratio	V Minor Combo	V Minor Ratio
264	0.009	IBC05XB	0.031	IBC02	0.035
264	0.004				
137	0.009	IBC05YB	0.033	IBC02	0.042
137	0.005				
125	0.049	IBC05XA	0.1	IBC05YA	0.053
125	0.24				
686	0.013	IBC05XB	0.072	IBC05YB	0.017
686	0.036				
46	0.073	IBC05XB	0.031	IBC05YB	0.029
46	0.007				
687	0.04	IBC05XA	0.19	IBC05YA	0.07
687	0.032				
19	0.107	IBC05YA	0.079	IBC05YA	0.096
19	0.062				
80	0.427	IBC05YA	0.149	IBC05YA	0.176
80	0.324				
212	0.479	IBC05XB	0.103	IBC05YB	0.035
212	0.054				
211	0.474	IBC05XA	0.103	IBC05YB	0.035
211	0.054				
286	0.422	IBC05YA	0.146	IBC05YA	0.172
286	0.321				
336	0.105	IBC05YA	0.078	IBC05YA	0.094
336	0.061				
648	0.041	IBC05XB	0.19	IBC05YA	0.07
648	0.033				
395	0.072	IBC05XA	0.031	IBC05YB	0.028
395	0.007				
574	0.012	IBC05XA	0.072	IBC05YB	0.016
574	0.035				
398	0.048	IBC05XB	0.1	IBC05YA	0.052
398	0.236				
439	0.01	IBC05YB	0.033	IBC02	0.042
439	0.005				
476	0.009	IBC05XA	0.031	IBC02	0.035
476	0.004				
118	0.014	IBC05YA	0.099	IBC05XB	0.041
118	0.009				

Table 5.2 - Steel Frame Design Summary - AISC 360-16 (Part 2 of 2, continued)

UniqueName	M Minor Ratio	V Major Combo	V Major Ratio	V Minor Combo	V Minor Ratio
13	0.001	IBC05XB	0.028	IBC05YB	0.103
13	0.005				
175	0.035	IBC05XB	0.047	IBC05YB	0.024
517	0.013	IBC05YB	0.044	IBC05YA	0.019
517	0.029				
40	0.071	IBC05XA	0.027	IBC05YB	0.028
690	0.034	IBC05XB	0.101	IBC05YA	0.026
690	0.007				
73	0.093	IBC05XB	0.097	IBC05YB	0.032
73	0.333				
186	0.03	IBC05XA	0.138	IBC05YB	0.031
186	0.021				
238	0.007	IBC05XA	0.129	IBC05YB	0.033
238	0.063				
233	0.007	IBC05XB	0.129	IBC05YB	0.035
233	0.063				
312	0.028	IBC05XB	0.138	IBC05YB	0.03
312	0.02				
362	0.09	IBC05XA	0.097	IBC05YB	0.032
362	0.329				
673	0.046	IBC05XA	0.101	IBC05YA	0.026
673	0.017				
389	0.069	IBC05XB	0.027	IBC05YB	0.028
576	0.012	IBC05YB	0.043	IBC05YA	0.018
576	0.029				
424	0.034	IBC05XA	0.047	IBC05YB	0.024
467	0.003	IBC05XA	0.028	IBC05YB	0.1
467	0.004				
477	0.014	IBC05YA	0.1	IBC05XA	0.041
477	0.009				
124	0	IBC05XA	0.0003802	IBC05XB	0.001
124	0.001				
149	0	IBC07YB	0	IBC07YB	0
24	0	IBC07YB	0	IBC07YB	0
57	0	IBC07YB	0	IBC07YB	0
197	0	IBC07YB	0	IBC07YB	0
90	0	IBC07YB	0	IBC07YB	0
247	0	IBC07YB	0	IBC07YB	0
269	0	IBC07YB	0	IBC07YB	0
321	0	IBC07YB	0	IBC07YB	0
296	0	IBC07YB	0	IBC07YB	0
346	0	IBC07YB	0	IBC07YB	0
373	0	IBC07YB	0	IBC07YB	0
408	0	IBC07YB	0	IBC07YB	0
449	0	IBC05XB	0.0003836	IBC05XA	0.001

Table 5.2 - Steel Frame Design Summary - AISC 360-16 (Part 2 of 2, continued)

UniqueName	M Minor Ratio	V Major Combo	V Major Ratio	V Minor Combo	V Minor Ratio
449	0.001				
103	0.302	IBC05XA	0.014	IBC05YA	0.022
103	0.008				
679	0.299	IBC05XB	0.014	IBC05YA	0.022
679	0.278				
127	0	IBC05XA	0.002	IBC05XA	0.012
127	0				
150	0	IBC07YB	0	IBC07YB	0
25	0	IBC07YB	0	IBC07YB	0
58	0	IBC07YB	0	IBC07YB	0
198	0	IBC07YB	0	IBC07YB	0
91	0	IBC07YB	0	IBC07YB	0
248	0	IBC07YB	0	IBC07YB	0
270	0	IBC07YB	0	IBC07YB	0
322	0	IBC07YB	0	IBC07YB	0
297	0	IBC07YB	0	IBC07YB	0
347	0	IBC07YB	0	IBC07YB	0
374	0	IBC07YB	0	IBC07YB	0
409	0	IBC07YB	0	IBC07YB	0
450	0	IBC05XB	0.002	IBC05XB	0.013
450	0				
132	0	IBC07YB	0	IBC07YB	0
159	0	IBC07YB	0	IBC07YB	0
159	0				
26	0	IBC07YB	0	IBC07YB	0
59	0	IBC07YB	0	IBC07YB	0
199	0	IBC07YB	0	IBC07YB	0
199	0				
92	0	IBC07YB	0	IBC07YB	0
249	0	IBC07YB	0	IBC07YB	0
271	0	IBC07YB	0	IBC07YB	0
323	0	IBC07YB	0	IBC07YB	0
323	0				
298	0	IBC07YB	0	IBC07YB	0
348	0	IBC07YB	0	IBC07YB	0
375	0	IBC07YB	0	IBC07YB	0
410	0	IBC07YB	0	IBC07YB	0
410	0				
451	0	IBC07YB	0	IBC07YB	0
123	0.009	IBC05XB	0.077	IBC05YA	0.028
123	0.013				
106	0.001	IBC05XA	0.027	IBC05YB	0.022
106	0.001				
681	0.001	IBC05XB	0.027	IBC05YB	0.021
681	0.001				

Table 5.2 - Steel Frame Design Summary - AISC 360-16 (Part 2 of 2, continued)

UniqueName	M Minor Ratio	V Major Combo	V Major Ratio	V Minor Combo	V Minor Ratio
478	0.009	IBC05XA	0.077	IBC05YA	0.027
478	0.013				
105	0	IBC07YB	0	IBC07YB	0
122	0	IBC07YB	0	IBC07YB	0
17	0	IBC07YB	0	IBC07YB	0
18	0	IBC07YB	0	IBC07YB	0
194	0	IBC07YB	0	IBC07YB	0
79	0	IBC07YB	0	IBC07YB	0
244	0	IBC07YB	0	IBC07YB	0
266	0	IBC07YB	0	IBC07YB	0
318	0	IBC07YB	0	IBC07YB	0
285	0	IBC07YB	0	IBC07YB	0
335	0	IBC07YB	0	IBC07YB	0
368	0	IBC07YB	0	IBC07YB	0
397	0	IBC07YB	0	IBC07YB	0
431	0	IBC07YB	0	IBC07YB	0
126	0.004	IBC05XB	0.077	IBC05YB	0.026
126	0.004				
492	0.013	IBC05XA	0.027	IBC05YA	0.022
492	0.007				
685	0.013	IBC05XB	0.027	IBC05YA	0.022
685	0.007				
479	0.004	IBC05XA	0.076	IBC05YB	0.026
479	0.003				
135	0	IBC07YB	0	IBC07YB	0
160	0	IBC07YB	0	IBC07YB	0
160	0				
27	0	IBC07YB	0	IBC07YB	0
60	0	IBC07YB	0	IBC07YB	0
200	0	IBC07YB	0	IBC07YB	0
200	0				
93	0	IBC07YB	0	IBC07YB	0
250	0	IBC07YB	0	IBC07YB	0
272	0	IBC07YB	0	IBC07YB	0
324	0	IBC07YB	0	IBC07YB	0
324	0				
299	0	IBC07YB	0	IBC07YB	0
349	0	IBC07YB	0	IBC07YB	0
376	0	IBC07YB	0	IBC07YB	0
411	0	IBC07YB	0	IBC07YB	0
411	0				
452	0	IBC07YB	0	IBC07YB	0
140	0	IBC05XB	0.002	IBC05XA	0.014
140	0.0004161				
161	0	IBC07YB	0	IBC07YB	0

Table 5.2 - Steel Frame Design Summary - AISC 360-16 (Part 2 of 2, continued)

UniqueName	M Minor Ratio	V Major Combo	V Major Ratio	V Minor Combo	V Minor Ratio
28	0	IBC07YB	0	IBC07YB	0
61	0	IBC07YB	0	IBC07YB	0
201	0	IBC07YB	0	IBC07YB	0
94	0	IBC07YB	0	IBC07YB	0
251	0	IBC07YB	0	IBC07YB	0
273	0	IBC07YB	0	IBC07YB	0
325	0	IBC07YB	0	IBC07YB	0
300	0	IBC07YB	0	IBC07YB	0
350	0	IBC07YB	0	IBC07YB	0
377	0	IBC07YB	0	IBC07YB	0
412	0	IBC07YB	0	IBC07YB	0
453	0	IBC05XA	0.002	IBC05XB	0.014
453	0.0004332				
522	0.299	IBC05XA	0.014	IBC05YA	0.022
522	0.01				
691	0.296	IBC05XB	0.014	IBC05YA	0.022
691	0.279				
148	0	IBC05YA	0.0003666	IBC05XB	0.001
162	0	IBC07YB	0	IBC07YB	0
29	0	IBC07YB	0	IBC07YB	0
62	0	IBC07YB	0	IBC07YB	0
202	0	IBC07YB	0	IBC07YB	0
95	0	IBC07YB	0	IBC07YB	0
252	0	IBC07YB	0	IBC07YB	0
274	0	IBC07YB	0	IBC07YB	0
326	0	IBC07YB	0	IBC07YB	0
301	0	IBC07YB	0	IBC07YB	0
351	0	IBC07YB	0	IBC07YB	0
378	0	IBC07YB	0	IBC07YB	0
413	0	IBC07YB	0	IBC07YB	0
454	0	IBC05YA	0.0003674	IBC05XA	0.001
131	0.011	IBC05YB	0.138	IBC05YB	0.042
131	0.001				
15	0.01	IBC05YB	0.028	IBC05YA	0.103
15	0.002				
176	0.016	IBC05YA	0.077	IBC05YA	0.023
41	0.293	IBC05YB	0.03	IBC05YA	0.026
74	0.096	IBC05XB	0.102	IBC05YA	0.031
74	0.019				
189	0.044	IBC05XA	0.135	IBC05YA	0.031
189	0.023				
239	0.007	IBC05XA	0.129	IBC05YA	0.033
239	0.064				
234	0.007	IBC05XB	0.129	IBC05YA	0.034
234	0.064				

Table 5.2 - Steel Frame Design Summary - AISC 360-16 (Part 2 of 2, continued)

UniqueName	M Minor Ratio	V Major Combo	V Major Ratio	V Minor Combo	V Minor Ratio
313	0.043	IBC05XB	0.135	IBC05YA	0.03
313	0.022				
363	0.093	IBC05XA	0.101	IBC05YA	0.031
363	0.021				
390	0.288	IBC05YB	0.03	IBC05YA	0.026
425	0.016	IBC05YA	0.076	IBC05YA	0.023
468	0.008	IBC05YB	0.028	IBC05YA	0.101
468	0.002				
480	0.011	IBC05YB	0.139	IBC05YB	0.042
480	0.001				
134	0.006	IBC05YB	0.029	IBC02	0.036
134	0.004				
139	0.004	IBC05XB	0.03	IBC02	0.042
139	0.002				
128	0.038	IBC05YA	0.086	IBC05YB	0.027
128	0.243				
48	0.074	IBC05XB	0.03	IBC05YA	0.029
47	0.426	IBC05XA	0.241	IBC05YB	0.163
47	0.301				
81	0.426	IBC05XA	0.142	IBC05YB	0.175
81	0.321				
213	0.482	IBC05XB	0.104	IBC05YA	0.035
213	0.052				
214	0.477	IBC05XA	0.104	IBC05YA	0.035
214	0.052				
287	0.421	IBC05XB	0.141	IBC05YB	0.171
287	0.317				
337	0.421	IBC05XB	0.239	IBC05YB	0.162
337	0.298				
396	0.073	IBC05XA	0.03	IBC05YA	0.029
399	0.038	IBC05XB	0.087	IBC05YB	0.026
399	0.239				
440	0.004	IBC05XA	0.03	IBC02	0.042
440	0.002				
481	0.006	IBC05YB	0.028	IBC02	0.036
481	0.004				
502	0.009	IBC05XB	0.049	IBC05YA	0.003
515	0.004	IBC05XA	0.035	IBC05YB	0.002
606	0.009	IBC05XB	0.049	IBC05YB	0.003
610	0.003	IBC05XA	0.035	IBC05YA	0.001
187	0	IBC07YB	0	IBC07YB	0
187	0				
188	0	IBC07YB	0	IBC07YB	0
188	0				
44	0	IBC07YB	0	IBC07YB	0

Table 5.2 - Steel Frame Design Summary - AISC 360-16 (Part 2 of 2, continued)

UniqueName	M Minor Ratio	V Major Combo	V Major Ratio	V Minor Combo	V Minor Ratio
44	0				
45	0	IBC07YB	0	IBC07YB	0
45	0				
77	0	IBC07YB	0	IBC07YB	0
77	0				
78	0	IBC07YB	0	IBC07YB	0
78	0				
192	0	IBC07YB	0	IBC07YB	0
192	0				
193	0	IBC07YB	0	IBC07YB	0
193	0				
222	0	IBC07YB	0	IBC05YB	0.003
222	0.004				
227	0	IBC07YB	0	IBC05YA	0.003
227	0.016				
224	0	IBC07YB	0	IBC05YB	0.003
224	0.004				
225	0	IBC07YB	0	IBC05YA	0.003
225	0.016				
316	0	IBC07YB	0	IBC07YB	0
316	0				
317	0	IBC07YB	0	IBC07YB	0
317	0				
366	0	IBC07YB	0	IBC07YB	0
366	0				
367	0	IBC07YB	0	IBC07YB	0
367	0				
393	0	IBC07YB	0	IBC07YB	0
393	0				
394	0	IBC07YB	0	IBC07YB	0
394	0				
428	0	IBC07YB	0	IBC07YB	0
428	0				
429	0	IBC07YB	0	IBC07YB	0
429	0				
114	0.044	IBC05XB	0.059	IBC05XB	0.009
114	0.028				
588	0.019	IBC05XB	0.019	IBC05XA	0.004
588	0.038				
595	0.048	IBC05XB	0.036	IBC05XB	0.01
595	0.007				
590	0.001	IBC05XB	0.057	IBC05XB	0.015
590	0.061				
592	0.086	IBC05XA	0.028	IBC05XB	0.009
592	0.067				

Table 5.2 - Steel Frame Design Summary - AISC 360-16 (Part 2 of 2, continued)

UniqueName	M Minor Ratio	V Major Combo	V Major Ratio	V Minor Combo	V Minor Ratio
603	0.013	IBC05XA	0.045	IBC05YA	0.005
603	0.005				
615	0.014	IBC05XB	0.045	IBC05YA	0.005
615	0.005				
618	0.086	IBC05XB	0.028	IBC05XA	0.009
618	0.068				
620	0.001	IBC05XA	0.057	IBC05XA	0.015
620	0.06				
622	0.049	IBC05XA	0.037	IBC05XA	0.01
622	0.007				
624	0.019	IBC05XA	0.019	IBC05XB	0.004
624	0.038				
495	0.044	IBC05XA	0.059	IBC05XA	0.009
495	0.028				
102	0.025	IBC05YA	0.044	IBC05YB	0.006
102	0.024				
668	0.0004597	IBC05XA	0.006	IBC05YB	0
9	0.017	IBC05YB	0.04	IBC05YA	0.006
9	0.011				
171	0.019	IBC05YB	0.053	IBC05XA	0.011
171	0.017				
601	0.011	IBC05YB	0.014	IBC05XA	0.004
601	0.009				
38	0.013	IBC05YB	0.073	IBC05YA	0.003
38	0.014				
600	0.024	IBC05YB	0.025	IBC05XB	0.006
600	0.016				
71	0.026	IBC05YB	0.079	IBC05XB	0.025
71	0.003				
184	0.003	IBC05YB	0.101	IBC05XB	0.004
184	0.005				
614	0	IBC02	0.021	IBC07YB	0
614	0				
236	0.008	IBC05YB	0.096	IBC05XA	0.009
236	0.012				
261	0.032	IBC05YB	0.02	IBC05XA	0.009
261	0.052				
613	0.016	IBC05YB	0.003	IBC05XA	0.003
230	0.006	IBC05YB	0.095	IBC05XB	0.009
230	0.011				
283	0.033	IBC05YB	0.021	IBC05XB	0.009
283	0.052				
617	0	IBC02	0.021	IBC07YB	0
617	0				
310	0.003	IBC05YB	0.099	IBC05XA	0.004

Table 5.2 - Steel Frame Design Summary - AISC 360-16 (Part 2 of 2, continued)

UniqueName	M Minor Ratio	V Major Combo	V Major Ratio	V Minor Combo	V Minor Ratio
310	0.005				
360	0.024	IBC05YB	0.077	IBC05XA	0.025
360	0.001				
626	0.023	IBC05YB	0.024	IBC05XA	0.007
626	0.014				
387	0.013	IBC05YB	0.073	IBC05YA	0.003
387	0.014				
627	0.009	IBC05YB	0.014	IBC05XB	0.004
627	0.009				
422	0.02	IBC05YB	0.052	IBC05XB	0.011
422	0.016				
463	0.017	IBC05YB	0.04	IBC05YA	0.006
463	0.011				
670	0.0004685	IBC05XB	0.006	IBC05YB	0
474	0.024	IBC05YA	0.044	IBC05YB	0.006
474	0.024				
498	0.016	IBC05XA	0.07	IBC05XB	0.008
498	0.028				
589	0.041	IBC05XA	0.036	IBC05XA	0.005
589	0.028				
597	0.028	IBC05XA	0.014	IBC05XA	0.004
597	0.035				
594	0.003	IBC05XA	0.062	IBC05XB	0.01
594	0.001				
598	0.022	IBC05XB	0.04	IBC05YA	0.011
598	0.032				
591	0.038	IBC05XA	0.08	IBC05XB	0.013
591	0.033				
599	0.046	IBC05YA	0.045	IBC05YB	0.015
599	0.045				
593	0.09	IBC05XB	0.044	IBC05XB	0.011
593	0.075				
596	0.196	IBC05XB	0.05	IBC05XB	0.016
596	0.176				
604	0.023	IBC05XB	0.07	IBC05XA	0.005
604	0.007				
242	0	IBC05XA	0.098	IBC07YB	0
242	0				
113	0.002	IBC05XB	0.034	IBC05XB	0.006
113	0.067				
616	0.023	IBC05XA	0.07	IBC05XB	0.005
616	0.007				
628	0	IBC05XB	0.098	IBC07YB	0
628	0				
619	0.091	IBC05XA	0.044	IBC05XA	0.01

Table 5.2 - Steel Frame Design Summary - AISC 360-16 (Part 2 of 2, continued)

UniqueName	M Minor Ratio	V Major Combo	V Major Ratio	V Minor Combo	V Minor Ratio
619	0.074				
629	0.196	IBC05XA	0.05	IBC05XA	0.016
629	0.177				
621	0.036	IBC05XB	0.08	IBC05XA	0.013
621	0.034				
630	0.045	IBC05YA	0.045	IBC05YB	0.014
630	0.045				
623	0.003	IBC05XB	0.062	IBC05XA	0.01
623	0.001				
631	0.022	IBC05XA	0.04	IBC05YA	0.011
631	0.032				
625	0.041	IBC05XB	0.036	IBC05XB	0.005
625	0.028				
632	0.028	IBC05XB	0.014	IBC05XB	0.004
632	0.035				
572	0.016	IBC05XB	0.07	IBC05XA	0.008
572	0.028				
10	0.011	IBC05YA	0.04	IBC05XA	0.015
10	0.015				
464	0.011	IBC05YA	0.03	IBC05XB	0.015
464	0.015				
98	0.0002365	IBC05YA	0.013	IBC05XB	0.0004737
98	0.004				
471	0.0004684	IBC05YA	0.013	IBC05XA	0.0004849
471	0.004				
674	0	IBC05YB	0.003	IBC07YB	0
652	0	IBC05YB	0.003	IBC07YB	0
660	0	IBC05YB	0.003	IBC07YB	0
660	0				
663	0	IBC05YB	0.005	IBC07YB	0
663	0				
666	0	IBC05YB	0.003	IBC07YB	0
666	0				
696	0	IBC05YB	0.003	IBC07YB	0
641	0	IBC05YB	0.003	IBC07YB	0
115	0.011	IBC05YB	0.033	IBC05XA	0.011
115	0.006				
436	0.011	IBC05YB	0.023	IBC05XB	0.011
436	0.006				
500	0	IBC05XA	0.067	IBC05YA	0.004
500	0.002				
571	0	IBC05XB	0.067	IBC05YA	0.004
571	0.002				
99	0.011	IBC05YA	0.031	IBC05YA	0.002
99	0.006				

Table 5.2 - Steel Frame Design Summary - AISC 360-16 (Part 2 of 2, continued)

UniqueName	M Minor Ratio	V Major Combo	V Major Ratio	V Minor Combo	V Minor Ratio
116	0.007	IBC05YA	0.033	IBC04XA	0.005
650	0	IBC05YB	0.003	IBC07YB	0
653	0	IBC05YB	0.003	IBC07YB	0
653	0				
654	0	IBC05YB	0.003	IBC07YB	0
654	0				
657	0	IBC05YB	0.02	IBC07YB	0
659	0	IBC05YB	0.003	IBC07YB	0
659	0				
671	0	IBC05YB	0.005	IBC07YB	0
665	0	IBC05YB	0.003	IBC07YB	0
665	0				
667	0	IBC05YB	0.003	IBC07YB	0
633	0	IBC05YB	0.003	IBC07YB	0
633	0				
640	0	IBC05YB	0.003	IBC07YB	0
640	0				
642	0	IBC05YB	0.003	IBC07YB	0
437	0.007	IBC05YA	0.022	IBC04XB	0.004
472	0.011	IBC05YA	0.031	IBC05YA	0.002
472	0.006				
499	0.001	IBC05XA	0.067	IBC05YB	0.004
499	0.003				
570	0.001	IBC05XB	0.067	IBC05YB	0.004
570	0.003				
117	0.014	IBC05YA	0.034	IBC05XA	0.011
117	0.006				
438	0.014	IBC05YA	0.023	IBC05XB	0.011
438	0.005				
678	0	IBC05YB	0.003	IBC07YB	0
656	0	IBC05YB	0.003	IBC07YB	0
658	0	IBC05YB	0.003	IBC07YB	0
658	0				
661	0	IBC05YB	0.005	IBC07YB	0
661	0				
664	0	IBC05YB	0.003	IBC07YB	0
664	0				
692	0	IBC05YB	0.003	IBC07YB	0
639	0	IBC05YB	0.003	IBC07YB	0
100	0.003	IBC05YB	0.013	IBC04XA	0.001
100	0.003				
473	0.004	IBC05YB	0.013	IBC04XB	0.001
473	0.003				
11	0.015	IBC05YB	0.039	IBC05XA	0.015
11	0.018				

Table 5.2 - Steel Frame Design Summary - AISC 360-16 (Part 2 of 2, continued)

UniqueName	M Minor Ratio	V Major Combo	V Major Ratio	V Minor Combo	V Minor Ratio
465	0.015	IBC05YA	0.03	IBC05XB	0.015
465	0.017				
497	0.017	IBC05XA	0.072	IBC05XB	0.008
497	0.028				
496	0.058	IBC05XA	0.038	IBC05XA	0.006
496	0.007				
528	0.038	IBC05YB	0.018	IBC05XA	0.005
528	0.045				
513	0.005	IBC05XA	0.069	IBC05YB	0.002
513	0.004				
529	0.06	IBC05YA	0.027	IBC05YA	0.005
529	0.052				
504	0.005	IBC05XB	0.077	IBC05YA	0.004
504	0.011				
530	0.059	IBC05YB	0.027	IBC05YB	0.005
530	0.051				
506	0.102	IBC05XB	0.049	IBC05XB	0.013
506	0.105				
527	0.204	IBC05XB	0.053	IBC05XB	0.017
527	0.183				
508	0.019	IBC05XB	0.072	IBC05XA	0.005
508	0.008				
531	0	IBC05XA	0.097	IBC07YB	0
531	0				
243	0.004	IBC05XB	0.034	IBC05XB	0.006
243	0.068				
539	0.019	IBC05XA	0.072	IBC05XB	0.005
539	0.008				
583	0	IBC05XB	0.097	IBC07YB	0
583	0				
542	0.102	IBC05XA	0.049	IBC05XA	0.013
542	0.105				
584	0.204	IBC05XA	0.053	IBC05XA	0.017
584	0.183				
545	0.005	IBC05XA	0.077	IBC05YA	0.004
545	0.01				
585	0.058	IBC05YB	0.027	IBC05YB	0.005
585	0.051				
548	0.005	IBC05XB	0.069	IBC05YB	0.002
548	0.004				
586	0.059	IBC05YA	0.027	IBC05YA	0.005
586	0.051				
550	0.058	IBC05XB	0.038	IBC05XB	0.006
550	0.007				
587	0.038	IBC05YB	0.018	IBC05XB	0.005

Table 5.2 - Steel Frame Design Summary - AISC 360-16 (Part 2 of 2, continued)

UniqueName	M Minor Ratio	V Major Combo	V Major Ratio	V Minor Combo	V Minor Ratio
587	0.045				
569	0.017	IBC05XB	0.072	IBC05XA	0.008
569	0.028				
109	0.029	IBC05YB	0.044	IBC05YA	0.007
109	0.028				
662	0.0003911	IBC05XA	0.006	IBC05YA	0
12	0.024	IBC05YA	0.04	IBC05YB	0.008
12	0.016				
174	0.005	IBC05YA	0.075	IBC05XA	0.002
174	0.001				
537	0.005	IBC05YA	0.067	IBC05YB	0.001
537	0.001				
39	0.009	IBC05YA	0.109	IBC05YB	0.002
39	0.011				
536	0.016	IBC05YA	0.068	IBC05YB	0.003
536	0.004				
72	0.019	IBC05YA	0.109	IBC05XB	0.008
72	0.015				
185	0.004	IBC05YA	0.101	IBC05XB	0.004
185	0.012				
534	0	IBC02	0.021	IBC07YB	0
534	0				
237	0.009	IBC05YA	0.096	IBC05XA	0.009
237	0.012				
262	0.032	IBC05YA	0.02	IBC05XB	0.009
262	0.052				
533	0.016	IBC05YA	0.003	IBC05XA	0.003
231	0.007	IBC05YA	0.096	IBC05XB	0.009
231	0.011				
284	0.033	IBC05YA	0.021	IBC05XB	0.009
284	0.052				
540	0	IBC02	0.021	IBC07YB	0
540	0				
311	0.004	IBC05YA	0.099	IBC05XA	0.004
311	0.012				
361	0.018	IBC05YA	0.108	IBC05XA	0.008
361	0.014				
581	0.015	IBC05YA	0.067	IBC05YB	0.003
581	0.004				
388	0.008	IBC05YA	0.108	IBC05YB	0.002
388	0.011				
582	0.005	IBC05YA	0.067	IBC05YB	0.001
582	0.001				
423	0.005	IBC05YA	0.075	IBC05XB	0.002
423	0.001				

Table 5.2 - Steel Frame Design Summary - AISC 360-16 (Part 2 of 2, continued)

UniqueName	M Minor Ratio	V Major Combo	V Major Ratio	V Minor Combo	V Minor Ratio
466	0.024	IBC05YA	0.04	IBC05YB	0.008
466	0.015				
669	0.000408	IBC05XB	0.006	IBC05YB	0
475	0.029	IBC05YB	0.044	IBC05YA	0.007
475	0.028				
111	0.043	IBC05XB	0.058	IBC05XB	0.009
111	0.029				
430	0.024	IBC05XA	0.02	IBC05XA	0.006
430	0.058				
519	0.008	IBC05XA	0.047	IBC05YB	0.002
519	0.006				
503	0.004	IBC05XB	0.054	IBC05YB	0.003
503	0.004				
505	0.108	IBC05XB	0.034	IBC05XB	0.011
505	0.084				
507	0.014	IBC05XB	0.046	IBC05YB	0.005
507	0.005				
538	0.014	IBC05XA	0.047	IBC05YB	0.004
538	0.005				
541	0.107	IBC05XA	0.034	IBC05XA	0.011
541	0.084				
543	0.004	IBC05XA	0.054	IBC05YB	0.003
543	0.005				
547	0.009	IBC05XB	0.047	IBC05YB	0.002
547	0.005				
549	0.024	IBC05XB	0.02	IBC05XB	0.006
549	0.058				
494	0.043	IBC05XA	0.058	IBC05XA	0.009
494	0.029				
694	0.034	IBC05XB	0.031	IBC05XA	0.025
694	0.041				
649	0.007	IBC05XB	0.029	IBC05XA	0.01
649	0.005				
693	0.008	IBC05XB	0.063	IBC05YB	0.004
693	0.001				
647	0.0002684	IBC05XB	0.027	IBC05XA	0.009
647	0.003				
688	0.073	IBC05XA	0.033	IBC05YA	0.04
688	0.049				
524	0.07	IBC05XB	0.033	IBC05YA	0.038
524	0.049				
577	0.0002941	IBC05XA	0.027	IBC05XB	0.009
577	0.003				
573	0.007	IBC05XA	0.064	IBC05YB	0.004
573	0.001				

Table 5.2 - Steel Frame Design Summary - AISC 360-16 (Part 2 of 2, continued)

UniqueName	M Minor Ratio	V Major Combo	V Major Ratio	V Minor Combo	V Minor Ratio
578	0.007	IBC05XA	0.029	IBC05XB	0.01
578	0.006				
575	0.035	IBC05XA	0.031	IBC05XB	0.025
575	0.041				
643	0.005	IBC05XB	0.019	IBC05XA	0.003
643	0.009				
646	0.003	IBC05XA	0.022	IBC05XB	0.001
646	0.004				
526	0.002	IBC05XB	0.028	IBC05YB	0.001
526	0.006				
637	0.003	IBC05XA	0.021	IBC05XA	0.004
637	0.022				
510	0.002	IBC05XA	0.028	IBC05XB	0.004
510	0.022				
511	0.005	IBC05XB	0.023	IBC05XB	0.003
511	0.004				
501	0.073	IBC05XB	0.064	IBC05XB	0.005
501	0.066				
605	0.074	IBC05XB	0.064	IBC05XB	0.005
605	0.067				
514	0.005	IBC05XA	0.036	IBC05XB	0.005
514	0.064				
609	0.004	IBC05XA	0.036	IBC05XB	0.005
609	0.064				
179	0	IBC05YB	0.03	IBC07YB	0
179	0				
182	0	IBC05YA	0.029	IBC07YB	0
182	0				
42	0	IBC05YB	0.036	IBC07YB	0
43	0	IBC05YA	0.036	IBC07YB	0
43	0				
75	0	IBC05YB	0.04	IBC07YB	0
76	0	IBC05YA	0.042	IBC07YB	0
76	0				
190	0	IBC05YB	0.039	IBC07YB	0
191	0	IBC05YA	0.036	IBC07YB	0
191	0				
240	0	IBC05YB	0.044	IBC07YB	0
240	0				
241	0	IBC05YA	0.042	IBC07YB	0
241	0				
235	0	IBC05YB	0.044	IBC07YB	0
235	0				
263	0	IBC05YA	0.042	IBC07YB	0
263	0				

Table 5.2 - Steel Frame Design Summary - AISC 360-16 (Part 2 of 2, continued)

UniqueName	M Minor Ratio	V Major Combo	V Major Ratio	V Minor Combo	V Minor Ratio
314	0	IBC05YB	0.038	IBC07YB	0
315	0	IBC05YA	0.035	IBC07YB	0
315	0				
364	0	IBC05YB	0.04	IBC07YB	0
365	0	IBC05YA	0.041	IBC07YB	0
365	0				
391	0	IBC05YB	0.036	IBC07YB	0
391	0				
392	0	IBC05YA	0.036	IBC07YB	0
392	0				
426	0	IBC05YB	0.03	IBC07YB	0
426	0				
427	0	IBC05YA	0.028	IBC07YB	0
427	0				
16	0.001	IBC02	0.015	IBC05XA	0
16	0.003				
144	0.0002501	IBC02	0.018	IBC05YB	0.0002376
144	0.001				
133	0.001	IBC02	0.02	IBC05XA	0.0004104
133	0.001				
644	0.004	IBC02	0.007	IBC05XB	0.002
644	0.0003515				
683	0.021	IBC04YA	0.008	IBC05XA	0.005
683	0.016				
51	0.001	IBC02	0.02	IBC05XA	0.001
51	0.001				
84	0.003	IBC02	0.013	IBC05YA	0.001
84	0.005				
290	0.003	IBC02	0.013	IBC05YA	0.001
290	0.005				
340	0.001	IBC02	0.02	IBC05XB	0.001
340	0.001				
579	0.022	IBC02	0.007	IBC05XB	0.005
579	0.016				
523	0.004	IBC02	0.007	IBC05XA	0.002
523	0.001				
402	0.001	IBC02	0.02	IBC05XB	0.000411
402	0.0004684				
443	0.0002266	IBC02	0.018	IBC05YB	0.0002371
443	0.001				
470	0.001	IBC02	0.015	IBC05XB	0
470	0.003				
6	0.001	IBC02	0.015	IBC02	0
6	0.003				
635	0.009	IBC05XB	0.001	IBC04XA	0.007

Table 5.2 - Steel Frame Design Summary - AISC 360-16 (Part 2 of 2, continued)

UniqueName	M Minor Ratio	V Major Combo	V Major Ratio	V Minor Combo	V Minor Ratio
635	0.017				
611	0.4	IBC05XA	0.001	IBC05XB	0.041
611	0.303				
612	0.4	IBC05XB	0.001	IBC05XA	0.041
612	0.303				
636	0.009	IBC05XA	0.001	IBC04XB	0.01
636	0.027				
491	0.001	IBC02	0.015	IBC02	0
491	0.003				
145	0.001	IBC02	0.035	IBC05XA	0.001
145	0.001				
136	0.002	IBC02	0.038	IBC05XA	0.001
136	0.001				
645	0.008	IBC02	0.016	IBC05YB	0.002
645	0.001				
684	0.009	IBC02	0.017	IBC05XB	0.01
684	0.002				
52	0.001	IBC05YA	0.045	IBC05XA	0.001
52	0.0001503				
85	0.001	IBC05YA	0.047	IBC05XA	0.002
85	0.001				
291	0.001	IBC05YA	0.046	IBC05XB	0.002
291	0.001				
341	0.001	IBC05YA	0.045	IBC05XB	0.001
341	0.000251				
580	0.009	IBC02	0.017	IBC05XA	0.01
580	0.002				
525	0.008	IBC02	0.016	IBC05YB	0.002
525	0.001				
403	0.002	IBC02	0.038	IBC05XB	0.001
403	0.001				
444	0.001	IBC02	0.035	IBC05XB	0.001
444	0.001				
544	0.0001581	IBC04YA	0.019	IBC05YA	0.001
544	0.0001104				
551	0.0004716	IBC04YA	0.036	IBC05YA	0.0003844
551	0.0003669				
553	0.001	IBC04YA	0.019	IBC05XB	0.001
553	0.001				
555	0.001	IBC04YA	0.019	IBC05XB	0.002
555	0.001				
557	0.000204	IBC04YA	0.046	IBC05XB	0.001
557	0				
559	0.0002016	IBC04YA	0.046	IBC05XA	0.001
559	0				

Table 5.2 - Steel Frame Design Summary - AISC 360-16 (Part 2 of 2, continued)

UniqueName	M Minor Ratio	V Major Combo	V Major Ratio	V Minor Combo	V Minor Ratio
561	0.001	IBC04YA	0.019	IBC05XA	0.002
561	0.001				
563	0.001	IBC04YA	0.019	IBC05XA	0.001
563	0.001				
565	0.0004723	IBC04YA	0.036	IBC05YA	0.0003805
565	0.0003677				
567	0.0001673	IBC04YA	0.019	IBC05YA	0.001
567	0.0001172				
120	0.001	IBC02	0.02	IBC05XB	0.0002635
120	0.001				
121	0.001	IBC05XA	0.043	IBC05XB	0.0003781
121	0.001				
634	0.009	IBC05XA	0.002	IBC04XA	0.007
634	0.009				
607	0.531	IBC05XA	0.001	IBC05XB	0.06
607	0.65				
608	0.531	IBC05XB	0.001	IBC05XA	0.06
608	0.649				
672	0.009	IBC05XB	0.002	IBC04XB	0.01
672	0.027				
490	0.001	IBC05XB	0.043	IBC05XA	0.0003751
490	0.001				
489	0.001	IBC04XB	0.024	IBC05XA	0.0002625
489	0.001				
151	0	IBC05YB	0.001	IBC07YB	0
151	0				
163	0	IBC05YB	0.001	IBC07YB	0
30	0	IBC05YB	0.001	IBC07YB	0
63	0	IBC05YB	0.001	IBC07YB	0
96	0	IBC05YB	0.001	IBC07YB	0
96	0				
203	0	IBC05YB	0.001	IBC07YB	0
203	0				
228	0	IBC05YB	0.001	IBC07YB	0
228	0				
253	0	IBC05YB	0.001	IBC07YB	0
253	0				
219	0	IBC05YB	0.001	IBC07YB	0
219	0				
216	0	IBC05YB	0.001	IBC07YB	0
216	0				
226	0	IBC05YB	0.001	IBC07YB	0
226	0				
275	0	IBC05YB	0.001	IBC07YB	0
275	0				

Table 5.2 - Steel Frame Design Summary - AISC 360-16 (Part 2 of 2, continued)

UniqueName	M Minor Ratio	V Major Combo	V Major Ratio	V Minor Combo	V Minor Ratio
302	0	IBC05YB	0.001	IBC07YB	0
302	0				
327	0	IBC05YB	0.001	IBC07YB	0
327	0				
352	0	IBC05YB	0.001	IBC07YB	0
379	0	IBC05YB	0.001	IBC07YB	0
414	0	IBC05YB	0.001	IBC07YB	0
455	0	IBC05YB	0.001	IBC07YB	0
455	0				
152	0.001	IBC05XB	0.002	IBC05XB	0.004
152	0.001				
164	0	IBC05YB	0.001	IBC07YB	0
164	0				
31	0	IBC05YB	0.001	IBC07YB	0
64	0	IBC05YB	0.001	IBC07YB	0
64	0				
172	0	IBC05YB	0.001	IBC07YB	0
172	0				
204	0	IBC05YB	0.001	IBC07YB	0
204	0				
254	0	IBC05YB	0.001	IBC07YB	0
276	0	IBC05YB	0.001	IBC07YB	0
303	0	IBC05YB	0.001	IBC07YB	0
303	0				
328	0	IBC05YB	0.001	IBC07YB	0
328	0				
353	0	IBC05YB	0.001	IBC07YB	0
353	0				
380	0	IBC05YB	0.001	IBC07YB	0
415	0	IBC05YB	0.001	IBC07YB	0
415	0				
456	0.001	IBC05XA	0.002	IBC05XA	0.004
456	0.001				
675	0.008	IBC02	0.094	IBC04XA	0.013
675	0.07				
119	0.001	IBC02	0.02	IBC05YA	0.001
119	0.007				
143	0.004	IBC02	0.032	IBC05XB	0.0004872
143	0.0004199				
147	0	IBC02	0.025	IBC05YB	0.001
21	0.004	IBC05YB	0.012	IBC05XB	0
21	0.003				
23	0	IBC02	0.044	IBC05YB	0.0003752
54	0.003	IBC02	0.034	IBC05XB	0.001
54	0.001				

Table 5.2 - Steel Frame Design Summary - AISC 360-16 (Part 2 of 2, continued)

UniqueName	M Minor Ratio	V Major Combo	V Major Ratio	V Minor Combo	V Minor Ratio
56	0	IBC02	0.025	IBC05YA	0.001
56	0.0003164				
87	0	IBC02	0.026	IBC05XA	0.009
87	0.001				
89	0.003	IBC05YB	0.012	IBC05YB	0
89	0.024				
196	0.0001559	IBC02	0.029	IBC05XB	0.001
196	0				
221	0.003	IBC05YB	0.004	IBC05YA	0
221	0.0001578				
246	0	IBC02	0.053	IBC05XB	0.0004306
246	0.001				
223	0.003	IBC05YB	0.004	IBC05YA	0
223	0.0001315				
268	0	IBC02	0.053	IBC05XA	0.0004347
268	0.001				
293	0	IBC02	0.026	IBC05XB	0.008
293	0.001				
295	0.003	IBC05YB	0.012	IBC05YB	0
295	0.024				
320	0.000193	IBC02	0.029	IBC05XA	0.001
320	0				
343	0.003	IBC02	0.034	IBC05XA	0.001
343	0.001				
345	0	IBC02	0.025	IBC05YA	0.001
345	0.0003321				
370	0.004	IBC05YB	0.012	IBC05XA	0
370	0.003				
372	0	IBC02	0.044	IBC05YB	0.000369
405	0.004	IBC02	0.031	IBC05XA	0.0004896
405	0.0004128				
407	0	IBC02	0.025	IBC05YB	0.001
700	0.008	IBC02	0.094	IBC05XB	0.01
700	0.07				
448	0.001	IBC02	0.02	IBC05YA	0.001
448	0.007				
153	0	IBC05YB	0.001	IBC07YB	0
153	0				
165	0	IBC05YB	0.001	IBC07YB	0
165	0				
32	0	IBC05YB	0.001	IBC07YB	0
32	0				
65	0	IBC05YB	0.001	IBC07YB	0
65	0				
173	0	IBC05YB	0.001	IBC07YB	0

Table 5.2 - Steel Frame Design Summary - AISC 360-16 (Part 2 of 2, continued)

UniqueName	M Minor Ratio	V Major Combo	V Major Ratio	V Minor Combo	V Minor Ratio
173	0				
205	0	IBC05YB	0.001	IBC07YB	0
205	0				
255	0	IBC05YB	0.001	IBC07YB	0
255	0				
277	0	IBC05YB	0.001	IBC07YB	0
277	0				
304	0	IBC05YB	0.001	IBC07YB	0
304	0				
329	0	IBC05YB	0.001	IBC07YB	0
329	0				
354	0	IBC05YB	0.001	IBC07YB	0
354	0				
381	0	IBC05YB	0.001	IBC07YB	0
381	0				
416	0	IBC05YB	0.001	IBC07YB	0
416	0				
457	0	IBC05YB	0.001	IBC07YB	0
457	0				
7	0.001	IBC02	0.023	IBC05XB	0.0001708
7	0.0004021				
8	0.001	IBC05XB	0.045	IBC05YA	0.0001934
8	0.0004732				
488	0.001	IBC05XA	0.045	IBC05YA	0.0001905
488	0.0004737				
487	0.0001819	IBC04XB	0.028	IBC05XA	0.0001702
487	0.0003297				
154	0	IBC05YB	0.001	IBC07YB	0
154	0				
166	0	IBC05YB	0.001	IBC07YB	0
166	0				
33	0	IBC05YB	0.001	IBC07YB	0
33	0				
66	0	IBC05YB	0.001	IBC07YB	0
66	0				
177	0	IBC05YB	0.001	IBC07YB	0
177	0				
206	0	IBC05YB	0.001	IBC07YB	0
206	0				
256	0	IBC05YB	0.001	IBC07YB	0
256	0				
278	0	IBC05YB	0.001	IBC07YB	0
278	0				
305	0	IBC05YB	0.001	IBC07YB	0
305	0				

Table 5.2 - Steel Frame Design Summary - AISC 360-16 (Part 2 of 2, continued)

UniqueName	M Minor Ratio	V Major Combo	V Major Ratio	V Minor Combo	V Minor Ratio
330	0	IBC05YB	0.001	IBC07YB	0
330	0				
355	0	IBC05YB	0.001	IBC07YB	0
355	0				
382	0	IBC05YB	0.001	IBC07YB	0
382	0				
417	0	IBC05YB	0.001	IBC07YB	0
417	0				
458	0	IBC05YB	0.001	IBC07YB	0
458	0				
158	0	IBC05YB	0.001	IBC07YB	0
158	0				
170	0	IBC05YB	0.001	IBC07YB	0
170	0				
37	0	IBC05YB	0.001	IBC07YB	0
37	0				
70	0	IBC05YB	0.001	IBC07YB	0
70	0				
183	0	IBC05YB	0.001	IBC07YB	0
183	0				
210	0	IBC05YB	0.001	IBC07YB	0
210	0				
260	0	IBC05YB	0.001	IBC07YB	0
260	0				
282	0	IBC05YB	0.001	IBC07YB	0
282	0				
309	0	IBC05YB	0.001	IBC07YB	0
309	0				
334	0	IBC05YB	0.001	IBC07YB	0
334	0				
359	0	IBC05YB	0.001	IBC07YB	0
359	0				
386	0	IBC05YB	0.001	IBC07YB	0
386	0				
421	0	IBC05YB	0.001	IBC07YB	0
421	0				
462	0	IBC05YB	0.001	IBC07YB	0
462	0				
4	0.0002505	IBC04XA	0.025	IBC05XB	0.0001784
4	0.0003517				
5	0.001	IBC05XB	0.045	IBC05XA	0.000195
5	0.0004953				
486	0.001	IBC05XA	0.045	IBC05XB	0.0001953
486	0.0004951				
485	0.0001832	IBC04XB	0.028	IBC05XA	0.0001783

Table 5.2 - Steel Frame Design Summary - AISC 360-16 (Part 2 of 2, continued)

UniqueName	M Minor Ratio	V Major Combo	V Major Ratio	V Minor Combo	V Minor Ratio
485	0.0002828				
157	0	IBC05YB	0.001	IBC07YB	0
157	0				
169	0	IBC05YB	0.001	IBC07YB	0
169	0				
36	0	IBC05YB	0.001	IBC07YB	0
36	0				
69	0	IBC05YB	0.001	IBC07YB	0
69	0				
181	0	IBC05YB	0.001	IBC07YB	0
181	0				
209	0	IBC05YB	0.001	IBC07YB	0
209	0				
259	0	IBC05YB	0.001	IBC07YB	0
259	0				
281	0	IBC05YB	0.001	IBC07YB	0
281	0				
308	0	IBC05YB	0.001	IBC07YB	0
308	0				
333	0	IBC05YB	0.001	IBC07YB	0
333	0				
358	0	IBC05YB	0.001	IBC07YB	0
358	0				
385	0	IBC05YB	0.001	IBC07YB	0
385	0				
420	0	IBC05YB	0.001	IBC07YB	0
420	0				
461	0	IBC05YB	0.001	IBC07YB	0
461	0				
638	0.008	IBC02	0.094	IBC04XB	0.013
638	0.036				
107	0.001	IBC02	0.02	IBC05YB	0.001
107	0.008				
138	0.004	IBC02	0.031	IBC05XB	0.0004981
138	0.0004282				
146	0	IBC02	0.025	IBC05YA	0.000486
20	0.004	IBC05YA	0.014	IBC05XB	0
20	0.001				
22	0	IBC02	0.043	IBC05YA	0.0002548
53	0.003	IBC02	0.034	IBC05YA	0.0003868
53	0.002				
55	0	IBC02	0.025	IBC05YB	0.0004865
55	0.0004152				
86	0.001	IBC02	0.026	IBC05XA	0.01
86	0.001				

Table 5.2 - Steel Frame Design Summary - AISC 360-16 (Part 2 of 2, continued)

UniqueName	M Minor Ratio	V Major Combo	V Major Ratio	V Minor Combo	V Minor Ratio
88	0.002	IBC05YA	0.012	IBC05YB	0
88	0.024				
195	0.0002096	IBC02	0.029	IBC05XB	0.001
195	0				
220	0.003	IBC05YA	0.004	IBC05YA	0
220	0.0001685				
245	0.0003937	IBC02	0.054	IBC05XB	0.0004245
245	0.001				
217	0.003	IBC05YA	0.004	IBC05YA	0
217	0.0001362				
267	0.0003967	IBC02	0.054	IBC05XA	0.0004287
267	0.001				
292	0.001	IBC02	0.026	IBC05XB	0.01
292	0.001				
294	0.002	IBC05YA	0.012	IBC05YB	0
294	0.024				
319	0.0002451	IBC02	0.029	IBC05XA	0.001
319	0				
342	0.002	IBC02	0.033	IBC05YA	0.0003754
342	0.003				
344	0	IBC02	0.025	IBC05YB	0.0004847
344	0.0004313				
369	0.004	IBC05YA	0.014	IBC05XA	0
369	0.001				
371	0	IBC02	0.043	IBC05YA	0.0002513
404	0.004	IBC02	0.031	IBC05XA	0.0004983
404	0.0004206				
406	0	IBC02	0.025	IBC05YA	0.0004851
697	0.008	IBC02	0.094	IBC05XB	0.01
697	0.036				
447	0.001	IBC02	0.02	IBC05YB	0.001
447	0.008				
156	0.001	IBC05XA	0.002	IBC05XB	0.004
156	0.002				
168	0	IBC05YB	0.001	IBC07YB	0
35	0	IBC05YB	0.001	IBC07YB	0
68	0	IBC05YB	0.001	IBC07YB	0
180	0	IBC05YB	0.001	IBC07YB	0
180	0				
208	0	IBC05YB	0.001	IBC07YB	0
208	0				
258	0	IBC05YB	0.001	IBC07YB	0
280	0	IBC05YB	0.001	IBC07YB	0
307	0	IBC05YB	0.001	IBC07YB	0
307	0				

Table 5.2 - Steel Frame Design Summary - AISC 360-16 (Part 2 of 2, continued)

UniqueName	M Minor Ratio	V Major Combo	V Major Ratio	V Minor Combo	V Minor Ratio
332	0	IBC05YB	0.001	IBC07YB	0
332	0				
357	0	IBC05YB	0.001	IBC07YB	0
384	0	IBC05YB	0.001	IBC07YB	0
419	0	IBC05YB	0.001	IBC07YB	0
460	0.001	IBC05XB	0.002	IBC05XA	0.004
460	0.002				
155	0	IBC05YB	0.001	IBC07YB	0
155	0				
167	0	IBC05YB	0.001	IBC07YB	0
34	0	IBC05YB	0.001	IBC07YB	0
67	0	IBC05YB	0.001	IBC07YB	0
178	0	IBC05YB	0.001	IBC07YB	0
178	0				
207	0	IBC05YB	0.001	IBC07YB	0
207	0				
232	0	IBC05YB	0.001	IBC07YB	0
232	0				
257	0	IBC05YB	0.001	IBC07YB	0
218	0	IBC05YB	0.001	IBC07YB	0
218	0				
215	0	IBC05YB	0.001	IBC07YB	0
215	0				
229	0	IBC05YB	0.001	IBC07YB	0
229	0				
279	0	IBC05YB	0.001	IBC07YB	0
306	0	IBC05YB	0.001	IBC07YB	0
306	0				
331	0	IBC05YB	0.001	IBC07YB	0
331	0				
356	0	IBC05YB	0.001	IBC07YB	0
383	0	IBC05YB	0.001	IBC07YB	0
418	0	IBC05YB	0.001	IBC07YB	0
459	0	IBC05YB	0.001	IBC07YB	0
459	0				
2	0.001	IBC04XA	0.023	IBC05XB	0.0002653
2	0.001				
3	0.001	IBC05XA	0.045	IBC05XB	0.0003628
3	0.001				
520	0.009	IBC05XA	0.002	IBC04XA	0.007
520	0.009				
509	0.53	IBC05XA	0.001	IBC05XB	0.06
509	0.648				
512	0.53	IBC05XB	0.001	IBC05XA	0.06
512	0.648				

Table 5.2 - Steel Frame Design Summary - AISC 360-16 (Part 2 of 2, continued)

UniqueName	M Minor Ratio	V Major Combo	V Major Ratio	V Minor Combo	V Minor Ratio
535	0.009	IBC05XB	0.002	IBC04XB	0.01
535	0.027				
484	0.001	IBC05XB	0.045	IBC05XA	0.0003596
484	0.001				
483	0.001	IBC04XB	0.024	IBC05XA	0.0002644
483	0.001				
546	0.000155	IBC04YB	0.029	IBC05YB	0.001
546	0.0001067				
552	0.001	IBC04YB	0.056	IBC05YB	0.0004378
552	0.0004216				
554	0.001	IBC04YB	0.029	IBC05YA	0.001
554	0.001				
556	0.001	IBC04YB	0.029	IBC05XB	0.002
556	0.001				
558	0.0002444	IBC04YB	0.07	IBC05XB	0.001
558	0				
560	0.0002499	IBC04YB	0.07	IBC05XA	0.001
560	0				
562	0.001	IBC04YB	0.029	IBC05XA	0.002
562	0.001				
564	0.001	IBC04YB	0.029	IBC05YB	0.001
564	0.001				
566	0.001	IBC04YB	0.056	IBC05YB	0.0004336
566	0.0004229				
568	0.000152	IBC04YB	0.029	IBC05YB	0.001
568	0.0001045				
142	0.001	IBC02	0.035	IBC05XA	0.001
142	0.001				
130	0.002	IBC05YB	0.03	IBC05YA	0.001
130	0.001				
50	0.002	IBC05YB	0.044	IBC05XA	0.001
50	0.003				
83	0.001	IBC05YB	0.047	IBC05XA	0.002
83	0.001				
289	0.001	IBC05YB	0.047	IBC05XB	0.002
289	0.001				
339	0.002	IBC05YB	0.044	IBC05XB	0.001
339	0.003				
401	0.002	IBC05YB	0.029	IBC05YA	0.001
401	0.001				
442	0.001	IBC02	0.035	IBC05XB	0.001
442	0.001				
1	0.001	IBC02	0.015	IBC02	0
1	0.003				
521	0.009	IBC05XB	0.001	IBC04XA	0.007

Table 5.2 - Steel Frame Design Summary - AISC 360-16 (Part 2 of 2, continued)

UniqueName	M Minor Ratio	V Major Combo	V Major Ratio	V Minor Combo	V Minor Ratio
521	0.017				
516	0.398	IBC05XA	0.001	IBC05XB	0.041
516	0.301				
518	0.398	IBC05XB	0.001	IBC05XA	0.041
518	0.301				
532	0.009	IBC05XA	0.001	IBC04XB	0.01
532	0.027				
482	0.001	IBC02	0.015	IBC02	0
482	0.003				
14	0.001	IBC02	0.015	IBC05XA	0
14	0.003				
141	0.0004776	IBC04YB	0.022	IBC05YA	0.0002394
141	0.0003991				
129	0.002	IBC04YB	0.016	IBC05YA	0.001
129	0.001				
49	0.001	IBC04YB	0.016	IBC05XA	0.001
49	0.001				
82	0.003	IBC04YB	0.016	IBC05XA	0.001
82	0.002				
288	0.003	IBC04YB	0.016	IBC05XB	0.001
288	0.002				
338	0.001	IBC04YB	0.016	IBC05XB	0.001
338	0.001				
400	0.002	IBC04YB	0.016	IBC05YA	0.001
400	0.001				
441	0.0004513	IBC04YB	0.022	IBC05YA	0.0002388
441	0.0004129				
469	0.001	IBC02	0.015	IBC05XB	0
469	0.003				



SE-Solutions, Inc.

Montana
406-821-6120California
951-699-2666

JOB GRETA Train Depot
 SHEET NO. _____ OF _____
 CALCULATED BY PF DATE 5/23
 CHECKED BY _____ DATE _____
 SCALE _____

TUBE TO TUBE CONNECTION

ALL TUBES ARE FILLET / FLARE BEVEL ALL THE WAY AROUND TO EITHER THE LARGER TUBE OR TO THE COLUMNS.

ANALYSIS IS "WELD AS A LINE" PER BLODGETT

$$S_w = bd + \frac{d^2}{3}$$

$$\text{HSS } 10 \times 10 \times \frac{1}{4} \quad S_w = 10(10) + \frac{10^2}{3} = 133.33$$

$$\text{HSS } 10 \times 10 \times \frac{1}{4} \quad S = 28.3 \text{ in}^3$$

$$F_y = .66(46 \text{ ksi}) \quad M_A = (28.3)(30.36) = 859 \text{ k-in.}$$

$$M/S_w = 6.44 \text{ k/in} \quad \text{Fillet Weld} \quad I_A = .3(70)(.70)t = 14.85t$$

$\frac{1}{2}$ " FILLET WELD OR FLARE BEVEL WILL DEVELOP FULL ELASTIC ASD ALLOWABLE MOMENT OF SECTION.

THE MAXIMUM PMM DEMAND OF ANY BEAM FRAMING INTO A COLUMN IS .486

$$.486(859) = 417.4 \quad M/S_w = 3.13 \text{ k/in.} \quad t = .21 \text{ in.}$$

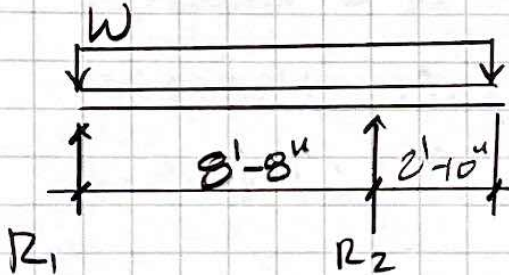
$\frac{1}{4}$ " FILLET / FLARE BEVEL SPECIFIED FOR ALL CONNECTIONS IN ELEVATION.



JOB GOVETA Train Depot
SHEET NO. _____ OF _____
CALCULATED BY PP DATE _____
CHECKED BY _____ DATE _____
SCALE _____

TRASH ENCLOSURE

Roof Beams



$$W_{DL} = 5.5(20) + 25 = 135 \text{ plf}$$

$$W_{UL} = 55(20) = 110 \text{ plf}$$

$$R_1 = 949 \text{ lb.}$$

$$R_2 = 1869 \text{ lb.}$$

$$V_{max} = 1078 \text{ lb}$$

HSS 6x4x3/8

$$f_v = 0.261 \text{ ksi}$$

$$f_b = 2.92 \text{ ksi}$$

$$M_{max} = 2302 \text{ lb-ft.}$$

STRESS AND DEFLECTION RATIOS ARE LESS THAN 10%

THE STRUCTURE IS ADEQUATE BY INSPECTION.

MAIN RIDGE BEAM

$$R = 2658 \text{ lb}$$

$$f_v = 0.52 \text{ ksi}$$

$$M = 10107 \text{ lb-ft}$$

$$f_b = 8.32 \text{ ksi}$$

STRESS & DEFLECTION RATIO LESS THAN .30

OK BY INSPECTION

JOB GOLETA Train Depot

SHEET NO. _____ OF _____

CALCULATED BY JF DATE _____

CHECKED BY _____ DATE _____

SCALE _____

SE-Solutions, Inc.

Montana
406-821-6120California
951-699-2666SEISMIC: USE $C_s = S_{ps}$ ($L=1.0$)

$$W = 483(20) = 9660 \text{ lb} \quad C_s = 1.527(9.66) = 14.75$$

$$C_s / \text{column} = 14.75 / 10 = 1.48 \text{ k}$$

$$\text{HSS } 3 \times 3 \times 1/4 \quad M = 1.48(3) = 4.44 \text{ k-ft}$$

$$f_b = 21.98 \text{ ksi (LRFSD)} \quad \underline{\text{OK}}$$

Masonry Walls:

$$h = 8' - 8'' \quad F_w = .4(S_{ps}) = .61(78) = 47.6 \text{ psf}$$

$$F_{w \text{ ASD}} = 34.0 \text{ psf}$$

$$M_w = 1277 \text{ lb-ft / ft.}$$

$$M_s = (1.48 / 1.4)(8.67) / 4 = 2.29 \text{ k-ft / ft.}$$

$$M_r = 3.57 \text{ k-ft / ft.}$$

$$d = 3.8 \text{ in} \quad A_s \text{ req'd} = .40 \text{ in}^2 / \text{ft.}$$

USE #5 @ 8" VERTICAL DOWELS
 #5 @ 16" VERTICAL
 #5 @ 24" HORIZ.



JOB GOULTA Train Depot
 SHEET NO. _____ OF _____
 CALCULATED BY PF DATE 5/23
 CHECKED BY _____ DATE _____
 SCALE _____

BUS SHELTER

MAXIMUM BEAM $W = 12(40) + 25 = 505 \text{ yd}$

$R = 4040 \text{ lb}$ $f_v = 0.98 \text{ ksi}$
 $M = 16160 \text{ lb-ft}$ $f_b = 13.66 \text{ ksi}$

STRESS & DEFLECTION LESS THAN .45
FRAMING IS ADEQUATE BY INSPECTION

SEISMIC: $W = 12(44)(20) = 10560 \text{ lb}$.

$R = 2.5$ $C_s = 1.527/2.5 = .61 W = 6450 \text{ lb}$.

4 columns $F = 1613 \text{ lb (L/4)}$

HSS $6 \times 6 \times 3/8$ $M = 16130 \text{ lb-ft}$ $f_b = 11.02 \text{ ksi}$

STRESS & DEFLECTION LESS THAN .05
OK BY INSPECTION

CHECK @ $R = 1$ $f_b = 2.10 \text{ ksi}$

FOOTING: $M = 16130/1.4 = 11521 \text{ lb-ft}$

CONSTRAINED POLE $b = 2.0'$ $d = 5.5'$

$p_p = 300 \text{ psf}$ $d_{req'd} = 3.85 \text{ ft}$ OK

USE $24" \times 5'-6"$ FOOTING WITH $6\#6$ VERT.