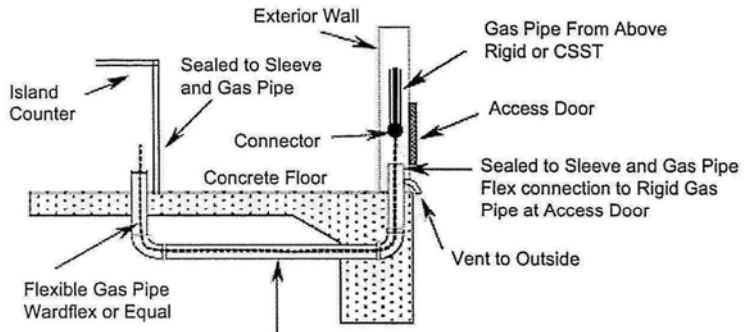
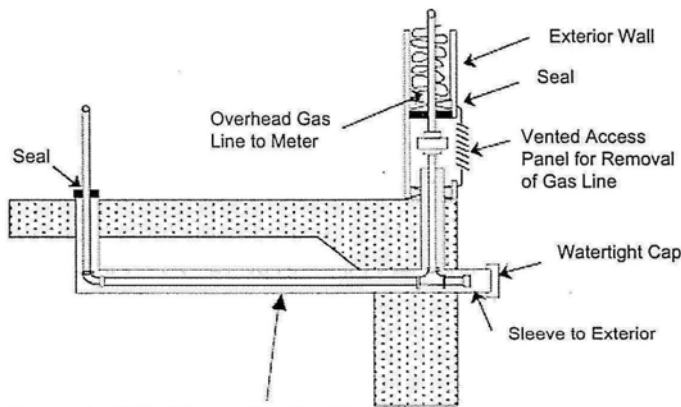


Kitchen Appliance Island

FLEXIBLE NATURAL GAS LINE TO ISLAND APPLIANCE



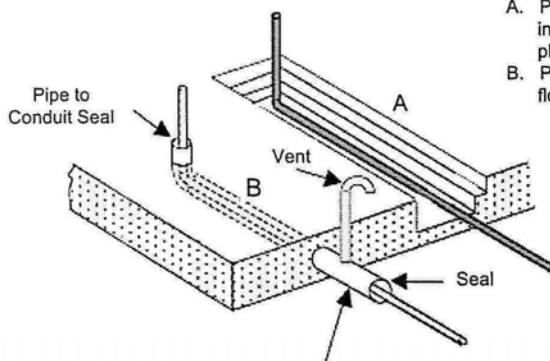
ABS or PVC Sleeve, min. 1/2 inch Larger than Gas Pipe



RIGID NATURAL GAS LINE TO ISLAND APPLIANCE

ABS or PVC Sleeve, min. 1/2 inch Larger than Gas Pipe

SLAB CHASES FOR NATURAL GAS PIPING



- A. Provide channel or recess in slab. Use removable cover plate.
- B. Pipe in conduit sealed at floor line, with vent outside.

ABS or PVC sleeve, min 1/2 inch larger than gas pipe

UPC 1211.4 No gas piping shall be installed in or on the ground under any building or structure unless installed in gastight conduit, and all exposed gas piping shall be kept at least six (6) inches above grade or structure. The term "building or structure" shall include structures such as porches and steps, whether covered or uncovered, breezeways, roofed porte-cocheres, roofed patios, carports, covered walks, covered driveways and similar structures or appurtenances.